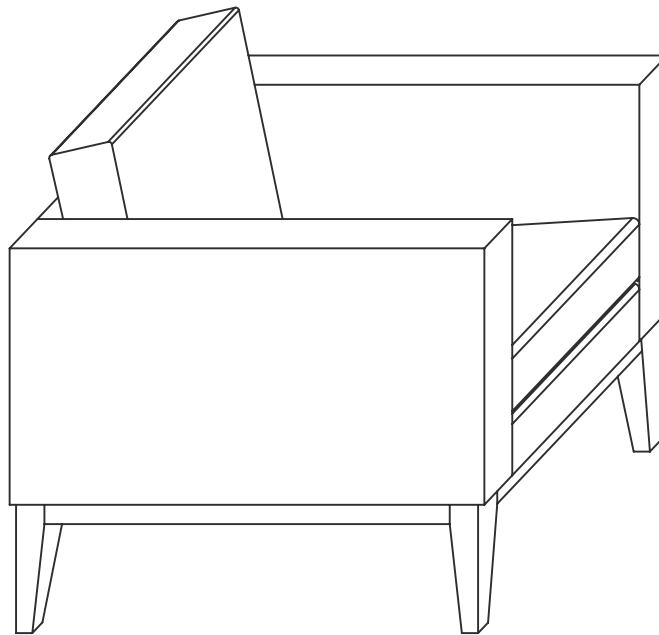




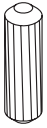

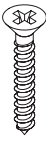
Tiffany Industries™  
A MAYLINE GROUP COMPANY

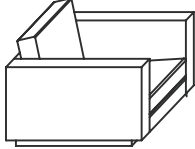
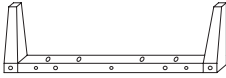
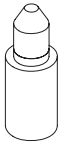
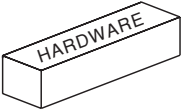
# Corsica Prestige Chair Model No. VCL1



**ASSEMBLY INSTRUCTIONS**  
**CALL 1-800-822-8037 FOR ASSISTANCE**

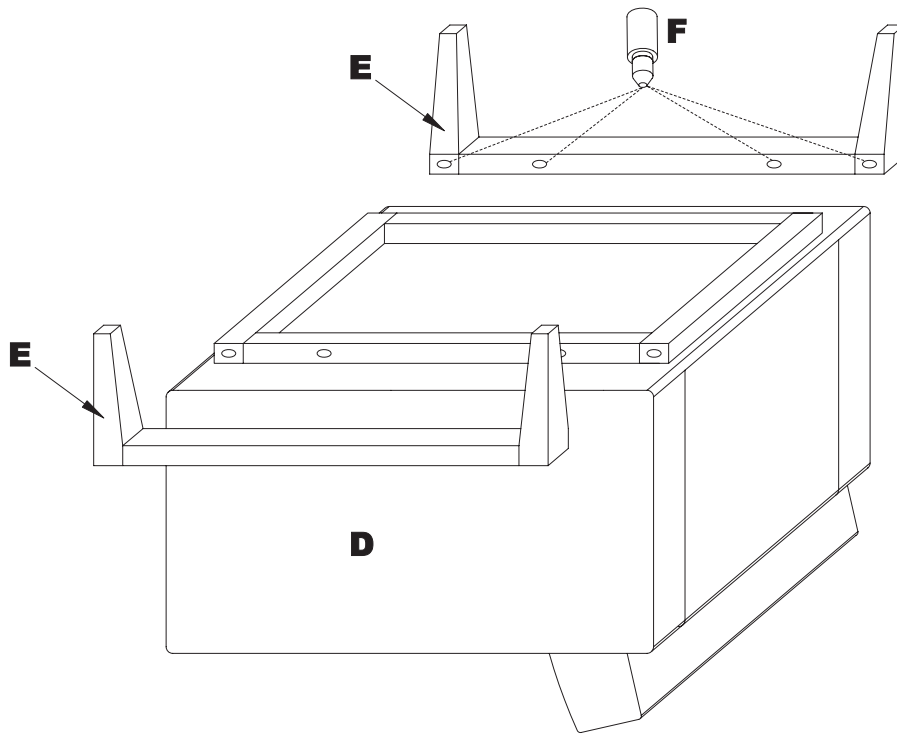
# PARTS LIST

Name	Part	Qty.	Spare Qty
<b>A</b>	 HB Wood Dowel	<b>8</b>	<b>1</b>
<b>B</b>	 HB REALS212 M6x60mm	<b>6</b>	<b>1</b>
<b>C</b>	 HB REALS213 5x65mm	<b>8</b>	<b>1</b>

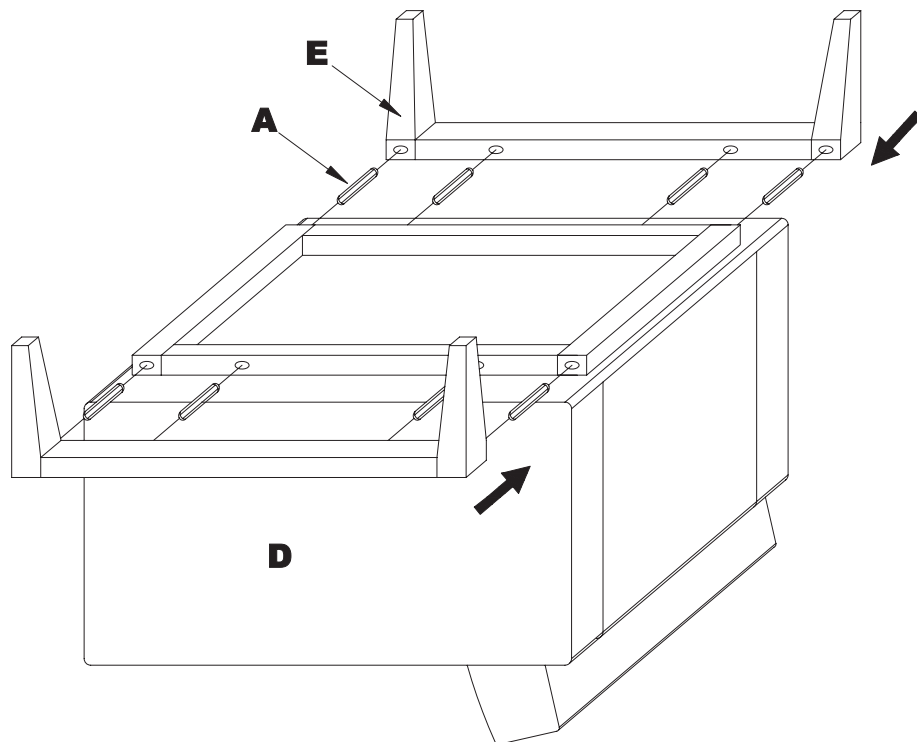
Name	Part	Qty.	Spare Qty
<b>D</b>		<b>1</b>	
<b>E*</b>	 VCLE** Leg	<b>2</b>	
<b>F</b>	 HB REALS109 Glue	<b>1</b>	
	 VCLHB		

Items with HB are in the hardware bag.  
 \*For Individual Items, Order By Part Number.  
 \*\* Denotes Color Code

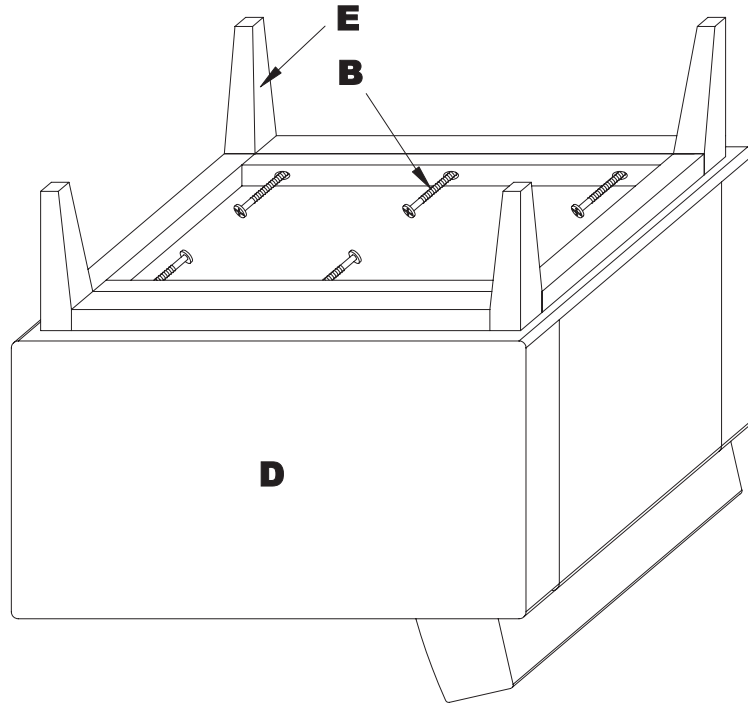
1



2



3



4

