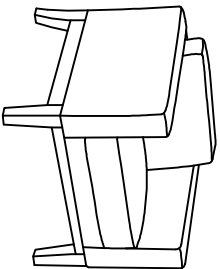
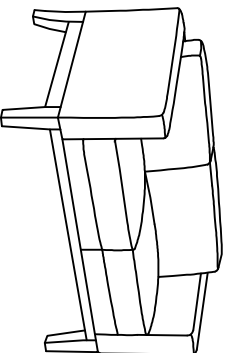


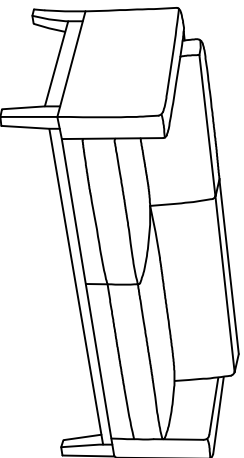
**ASSEMBLY INSTRUCTIONS**  
**PRESTIGE SERIES LOUNGE FURNITURE**  
**MODEL NO. VCL1, VCL2 & VCL3**



VCL1



VCL2



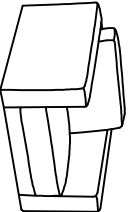
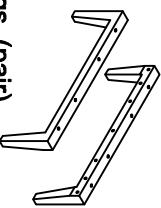
VCL3


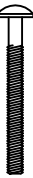



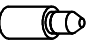
**IMPORTANT!**  
**Review ALL instructions before beginning assembly.** These instructions are provided to avoid problems that may occur from improper assembly or installation. Mayline and/or its distributor are not responsible for failure resulting from improper assembly or installation of this product. Moreover, all warranties are void for failure to follow these assembly instructions.

**PARTS LIST VCL1, VCL2 & VCL3**

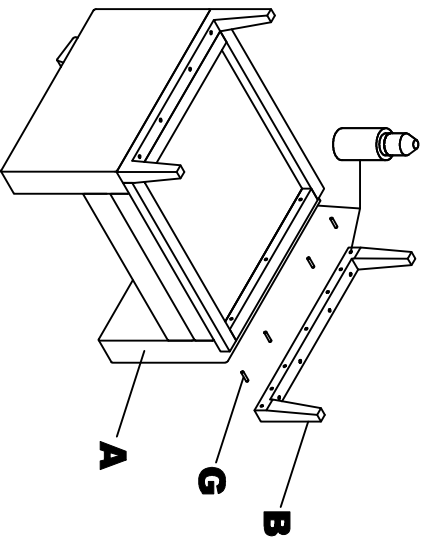
When ordering components, specific color and/or size information may be required. Contact a Mayline Customer Service Representative. 1-800-822-8037

\* Individual Items, Order by part number.  
 \*\* Denotes Color Code

Reference Letter	Quantity
<b>A</b> 	<b>1</b>
<b>B *</b> Part Number CM256** Legs, (pair) 	<b>2</b>

Part Number CM255 * Hardware Pack		
Reference Letter	Quantity	Spare
<b>C</b>  Screw M5 X 65mm	<b>8</b>	<b>1</b>
<b>D</b>  Reference Letter Screw 1/4"-20 x 2-3/8"	<b>6</b>	<b>1</b>
<b>E</b>  Reference Letter Washer 13mm x 6.5mm	<b>6</b>	<b>1</b>
<b>F</b>  Reference Letter Lock Washer 10mm x 6.5mm	<b>6</b>	<b>1</b>
<b>G</b>  Reference Letter Wood Dowel	<b>8</b>	<b>1</b>
<b>H</b> Reference Letter Glue Bottle 	<b>1</b>	

1. Glue all dowel holes and insert Dowels (G) into Legs (B) 4 places per Leg. Assemble Legs (B) to Chair (A).



2. Attach Legs (B) to Chair (A) using Screws (D), Lockwashers (F) & Washers (E) 3 places per Leg.

3. Secure Legs (B) to Chair (A) using Screws (C) 4 places per Leg.

