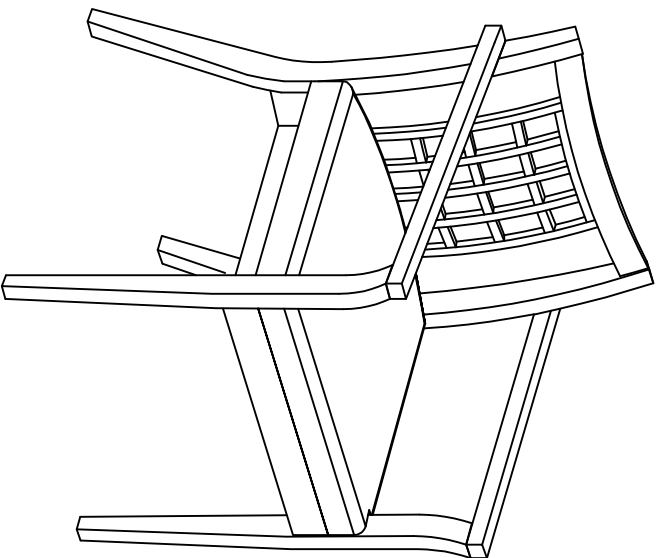


# ASSEMBLY INSTRUCTIONS

## Mercado Wood Guest Chair

### Model No. VSC4A



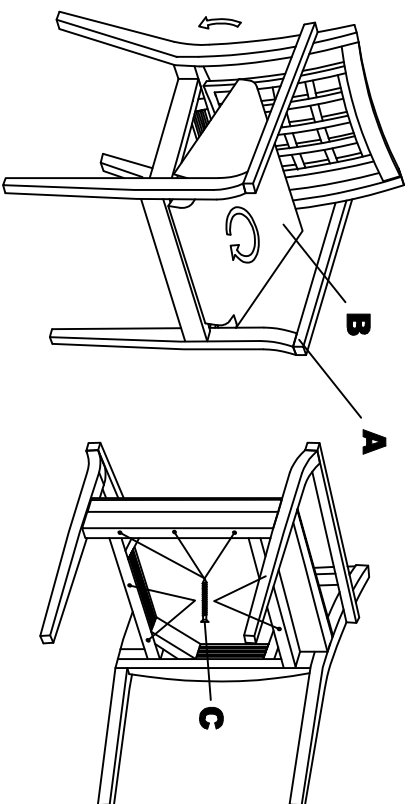
## PARTS LIST VSC4A

When ordering components, specific color and/or size information may be required. Contact a Mayline Customer Service Representative: 1-800-822-8037

\* Individual Items, Order by part number.  
 \*\* Denotes Color Code.

Reference Letter	Quantity
<b>A*</b>	<b>1</b>
Part Number 101584** Frame	
Reference Letter	
<b>B*</b>	<b>1</b>
Part Number 101574** Seat	

Part Number	Quantity	Spare
101570* Hardware Bag		
Reference Letter		
<b>C</b>	<b>7</b>	<b>1</b>
Screw M4 x 35mm		



1. Install Seat (B) by rotating into place with front of seat angled down as shown. Gently push seat into place.
2. Attach seat to frame by using Screws (C) 9 places. Apply pressure to the top of seat while attaching screws.

**1**



@ Mayline Company, LLC  
 619 N. Commerce, P.O. Box 728  
 Sheboygan, WI 53082-0728  
 Toll Free: 1-800-822-8037  
 FAX: 920-457-7388  
 On Line: www.mayline.com