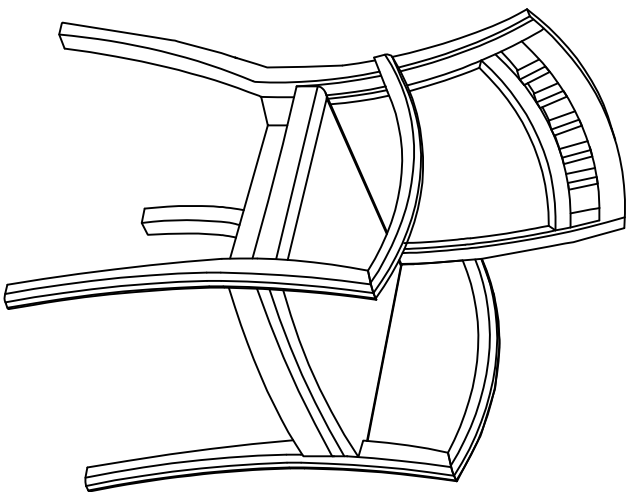


ASSEMBLY INSTRUCTIONS

Mercado Wood Guest Chair

Model No. VSC5A



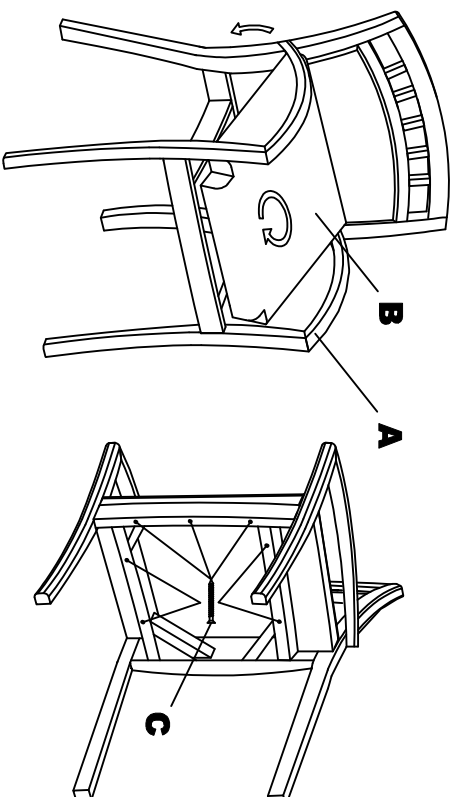
PARTS LIST VSC5A

When ordering components, specific color and/or size information may be required. Contact a Mayline Customer Service Representative: 1-800-822-8037

* Individual Items, Order by part number.
 ** Denotes Color Code.

Reference Letter	Quantity
A*	1
Part Number 101585** Frame	
Reference Letter	
B*	1
Part Number 101575** Seat	

Part Number	Quantity	Spare
101570* Hardware Bag		
Reference Letter		
C	7	1
Screw M4 x 35mm		



1. Install Seat (B) by rotating into place with front of seat angled down as shown. Gently push seat into place.
2. Attach seat to frame by using Screws (C) 5 places. Apply pressure

1



@ Mayline Company, LLC
 619 N. Commerce, P.O. Box 728
 Sheboygan, WI 53082-0728
 Toll Free: 1-800-822-8037
 FAX: 920-457-7388
 On Line: www.mayline.com