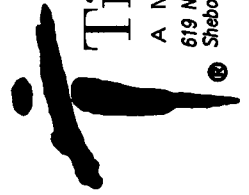
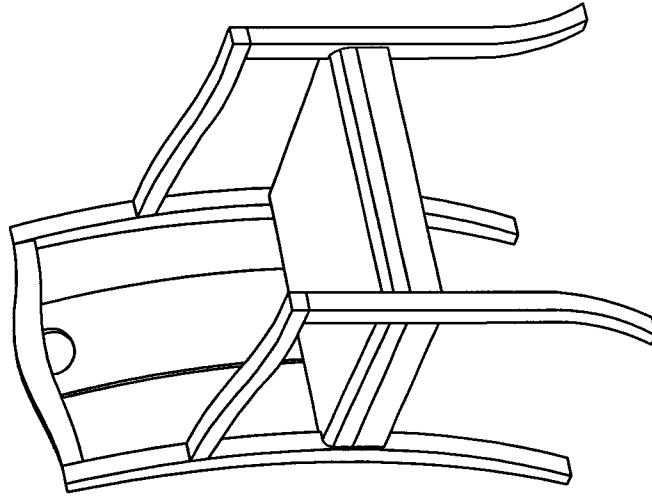


ASSEMBLY INSTRUCTIONS

Mercado Wood Guest Chair

Model No. VSC6



Tiffany Industries™

A MAYLINE GROUP COMPANY

619 N. Commerce, P.O. Box 728 Toll Free: 1-800-822-8037
Sheboygan, WI 53082-0728 FAX: 920-457-7388

On Line: www.mayline.com

P/N VSC6 REV 01 8/07

PARTS LIST

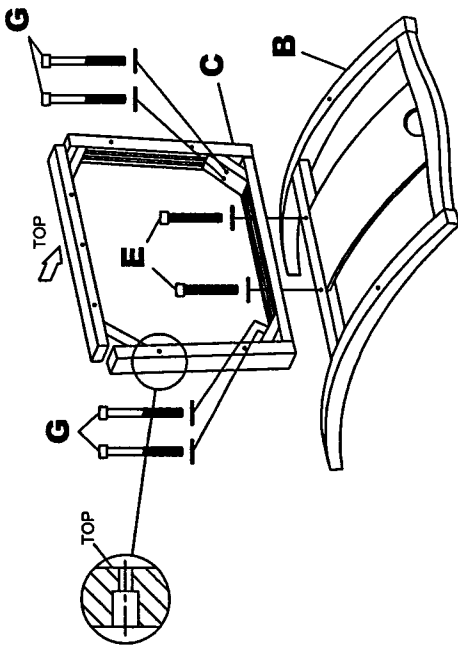
When ordering components, specific color and/or size information may be required.
Contact a Mayline Customer Service Representative. 1-800-822-8037

* Individual Items, Order by part number.

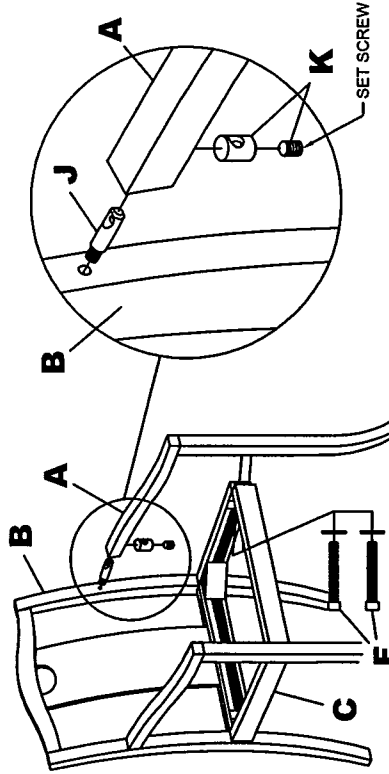
** Denotes Color Code.

Reference Letter	Quantity	Part Number	Reference Letter	Quantity	Spare
A*	1	101524** Arms (pair)	E	2	1
B*	2	101525** Back	Screw M8 x 50mm		
C*	1	101526** Frame	F	4	1
D*	1	101527 Seat	Screw M8 x 55mm		
			G	4	1
			Screw M8 x 70mm		
			H	9	1
			Screw M4 x 40mm		
			J	2	1
			Pin		
			K	2	1
			Barrel Nut w/Set Screw		
			L	1	
			Allen Wrench		

1



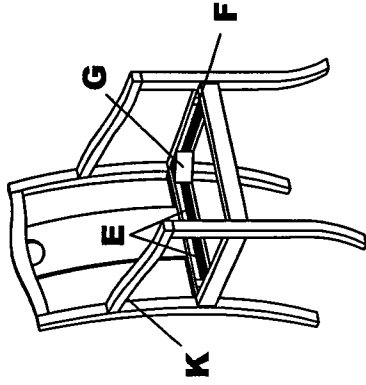
1. Locate top of Frame (C) (see sticker) and assemble to Back (B) using Screw & Washer (E) 2 Places and Screw & Washer (G) 4 Places. Do Not Tighten at this time.



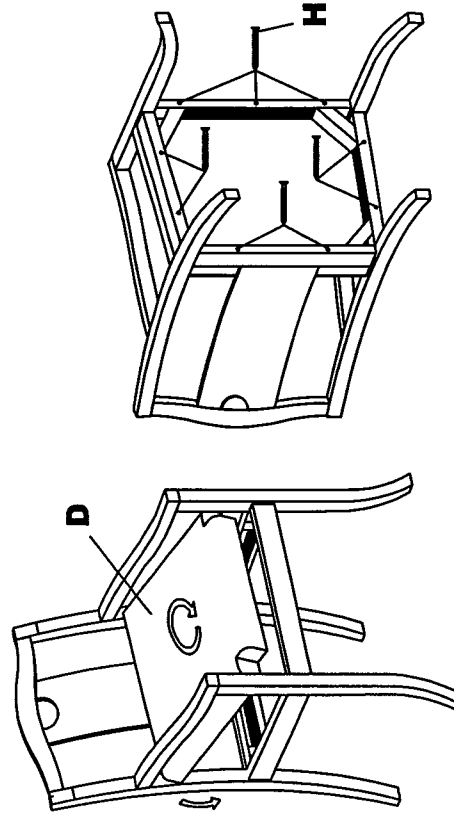
2. Hand tighten Pin (J) into Back (B) NOTE: align hole in pin to be up and down as shown, you may have to untighten slightly.
 3. Remove Set Screw from Barrel Nut (K) and insert Barrel Nut into Arm (A) as shown. Attach arm by inserting Pin (J) into Barrel Nut (K) and attach using the Set Screw. Do Not Tighten at this time.
 4. Assemble Arm (A) to Frame (C) using Screws (F) 2 places.

5. Repeat Steps 2-4 for other arm.

2



6. Place Chair on a flat level surface and Tighten all Screws, (E) 2 places, (F) 4 places, (G) 4 places. Do Not Overtighten Screws. Also tighten Set Screw (K) 2 places.



7. Install Seat (D) by rotating into place with front of seat angled down as shown. Gently push seat into place.

8. Attach seat to frame by using Screws (H) 9 places. Apply pressure to the top of seat while attaching screws.

3