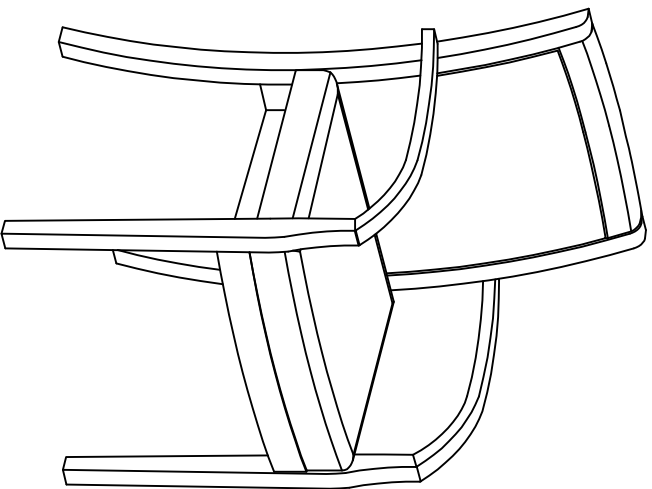


ASSEMBLY INSTRUCTIONS

Mercado Wood Guest Chair

Model No. VSC7A



PARTS LIST VSC7A

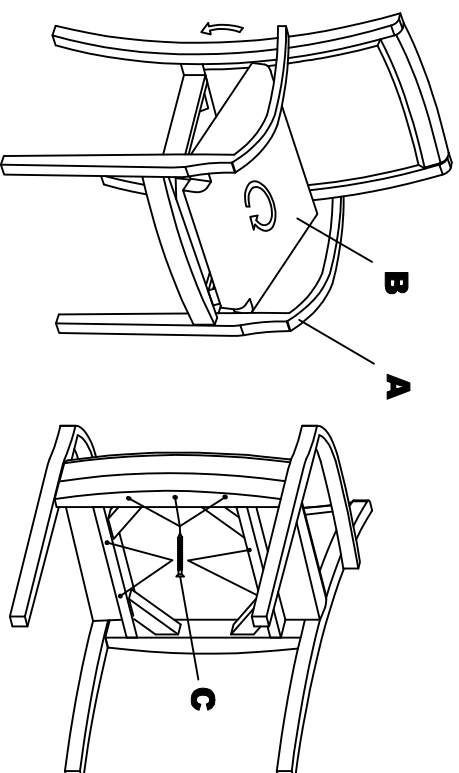
When ordering components, specific color and/or size information may be required. Contact a Mayline Customer Service Representative: 1-800-822-8037

* Individual Items, Order by part number.

** Denotes Color Code.

Reference Letter	Quantity
A*	1
Part Number 101587** Frame	
Reference Letter	
B*	1
Part Number 101577** Seat	

Part Number	Quantity	Spare
101570* Hardware Bag		
Reference Letter		
C	7	1
Screw M4 x 35mm		



1. Install Seat (B) by rotating into place with front of seat angled down as shown. Gently push seat into place.
2. Attach seat to frame by using Screws (C) 9 places. Apply pressure to the top of seat while attaching screws.

1



@ Mayline Company, LLC
619 N. Commerce, P.O. Box 728
Sheboygan, WI 53082-0728
Toll Free: 1-800-822-8037
FAX: 920-457-7388
On Line: www.mayline.com