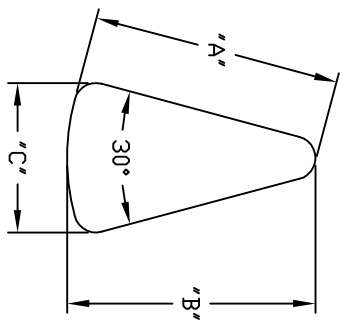


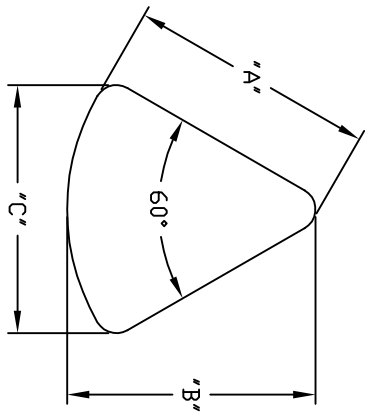
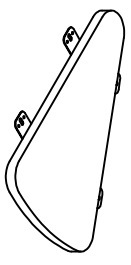
MODEL NUMBERS:
 P3018** P3024** P3030**
 P6018** P6024** P6030**
 P9018** P9024** P9030**

NOTE: ADD .25 TD TDP FOR KNIFE EDGE T-MOLD

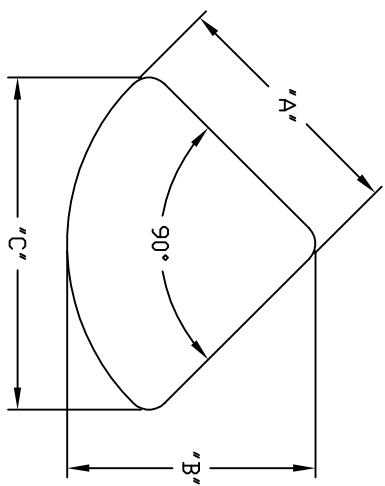
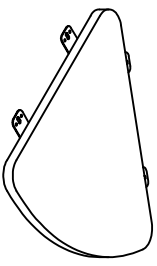
**DIMENSIONAL DRAWING FOR
 MEETING PLUS TABLES
 PIE CONNECTORS**



30° PIE			
18' PIE	24' PIE	30' PIE	
"A"	18.0	24.0	30.0
"B"	18.0	24.0	30.0
"C"	11.4	14.5	17.5



60° PIE			
18' PIE	24' PIE	30' PIE	
"A"	18.0	24.0	30.0
"B"	18.0	24.0	30.0
"C"	18.0	24.0	30.0



90° PIE			
18' PIE	24' PIE	30' PIE	
"A"	18.0	24.0	30.0
"B"	18.0	24.0	30.0
"C"	23.7	32.2	40.7

