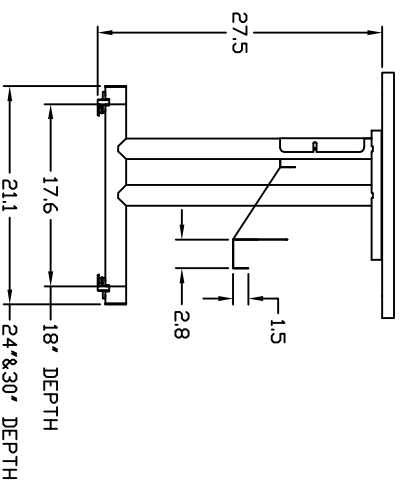
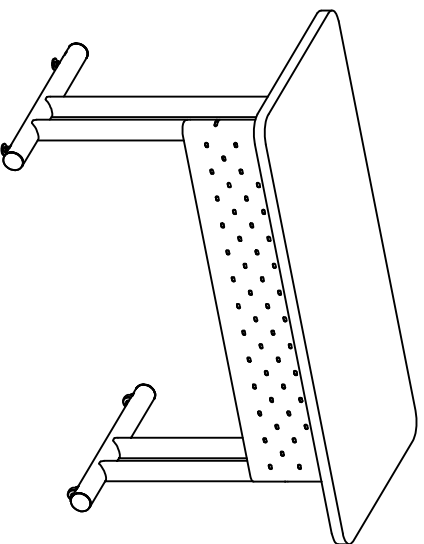
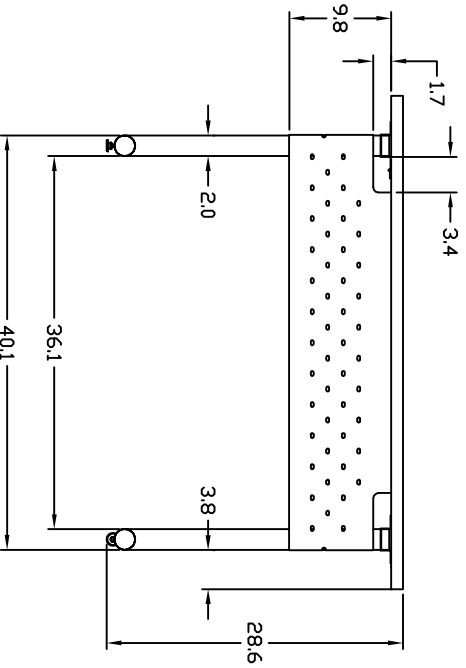
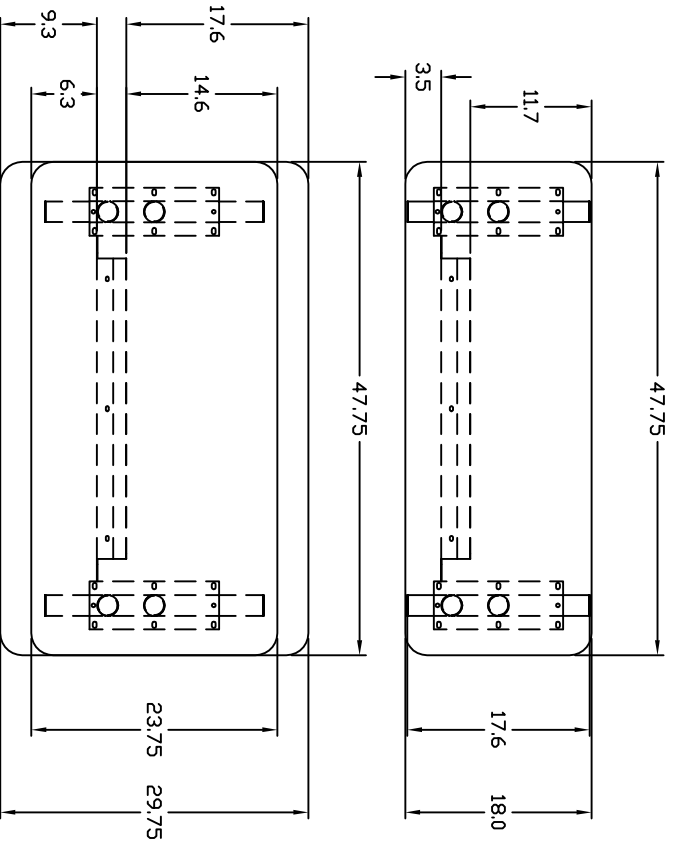


MODEL NUMBERS:
 M1848**
 M2448**
 M3048**

NOTE: ADD .25 TD TOP FOR KNIFE EDGE T-MDL.D.
 (EXCLUDING 18" DEPTH)

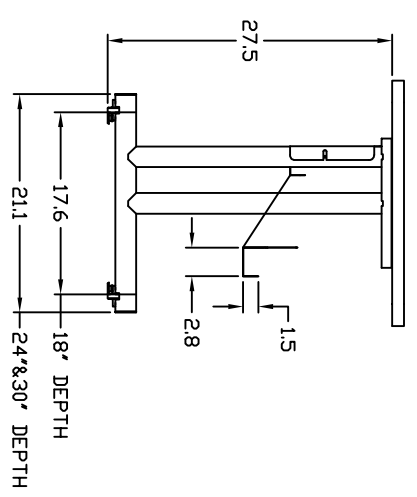
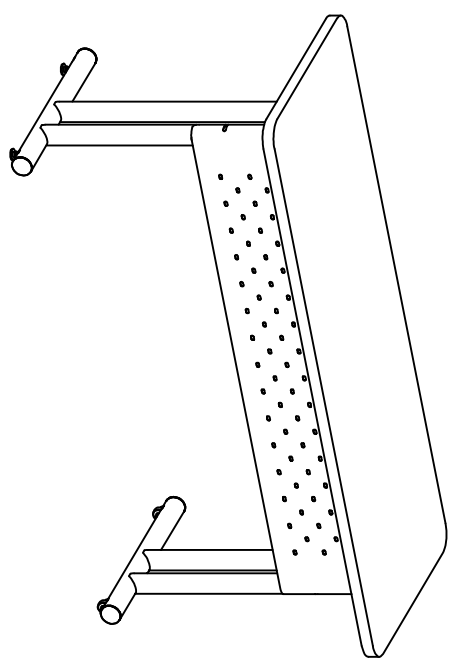
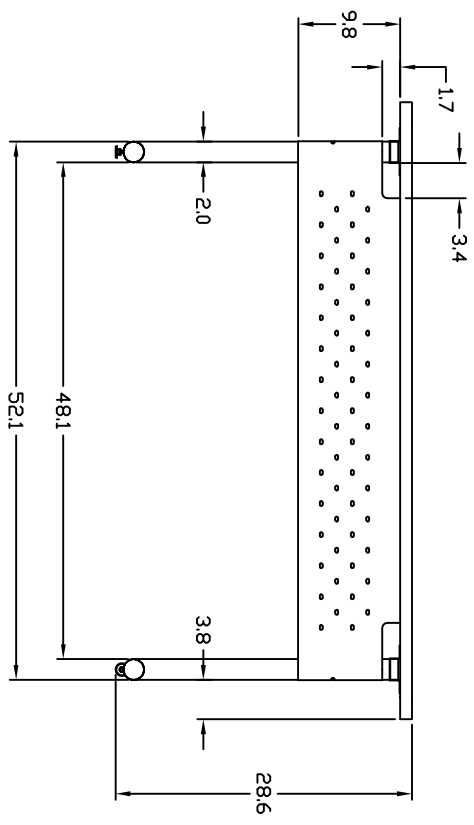
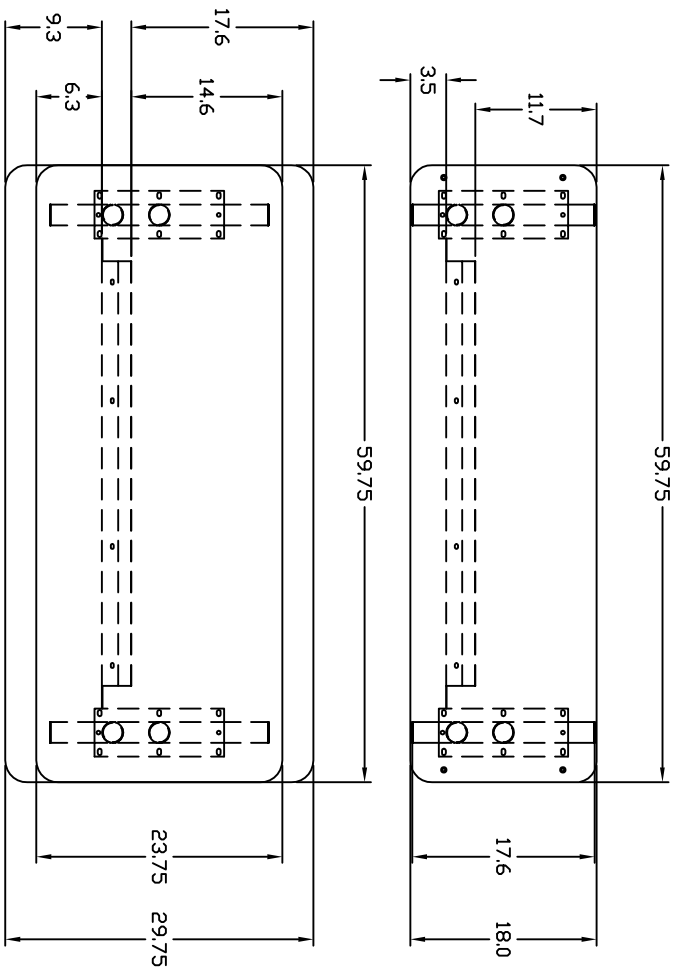
**DIMENSIONAL DRAWING FOR
 MEETING PLUS TABLES
 48"W. RECTANGLE**



MODEL NUMBERS:
 LF1860**
 LF2460**
 LF3060**

NOTE: ADD .25 TD TOP FOR KNIFE EDGE T-MOLD

**DIMENSIONAL DRAWING FOR
 MEETING PLUS TABLES
 60"W. RECTANGLE**



MODEL NUMBERS:
 LF1872**
 LF2472**
 LF3072**

NOTE: ADD .25 TD TOP FOR KNIFE EDGE T-MOLD

**DIMENSIONAL DRAWING FOR
 MEETING PLUS TABLES
 72"W. RECTANGLE**

