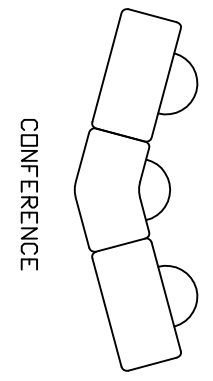
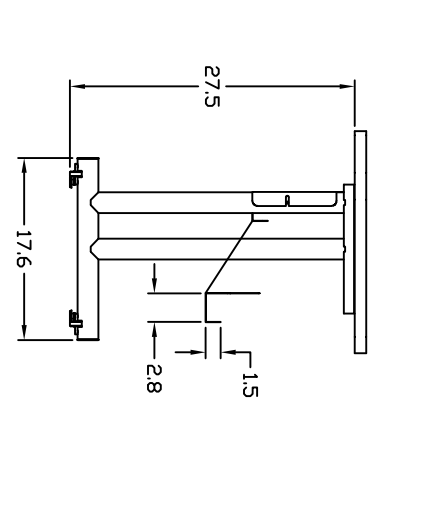
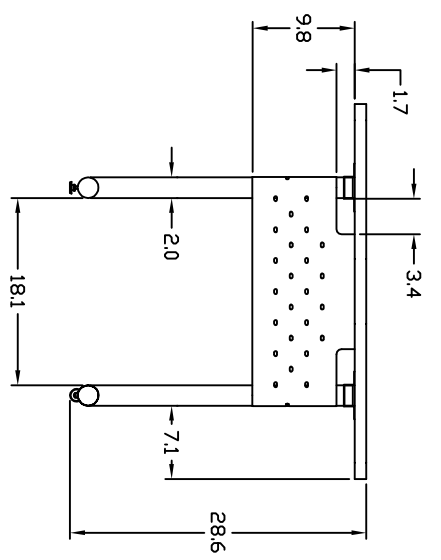
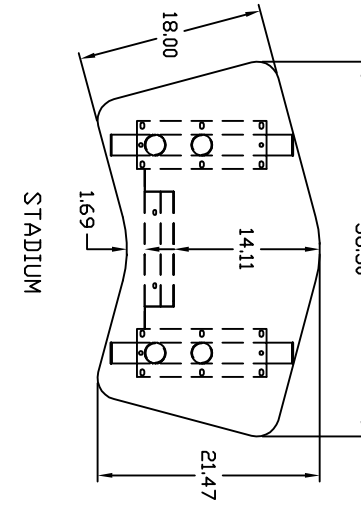
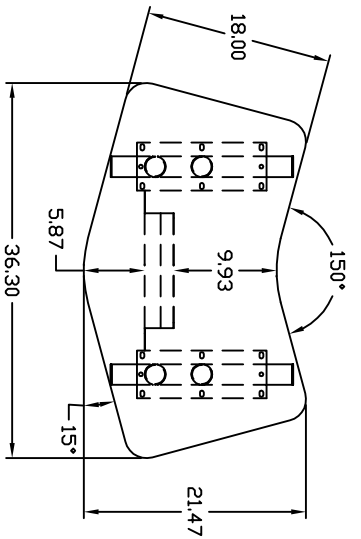


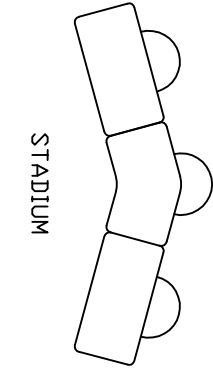
MODEL NUMBERS:
M18**

NOTE: ADD .25 TD TOP FOR KNIFE EDGE T-MOLD

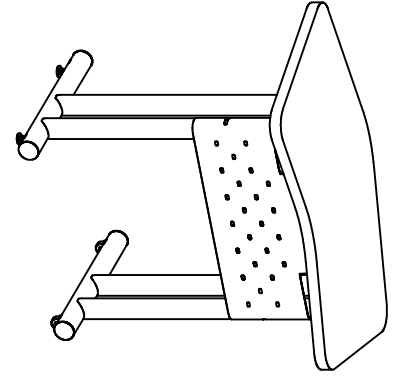
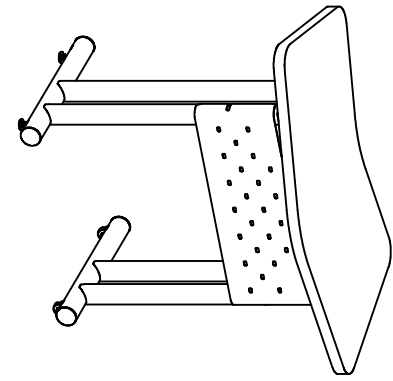
DIMENSIONAL DRAWING FOR
MEETING PLUS TABLES
18" W. TRANSITION



CONFERENCE



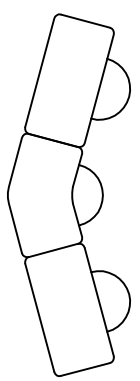
STADIUM



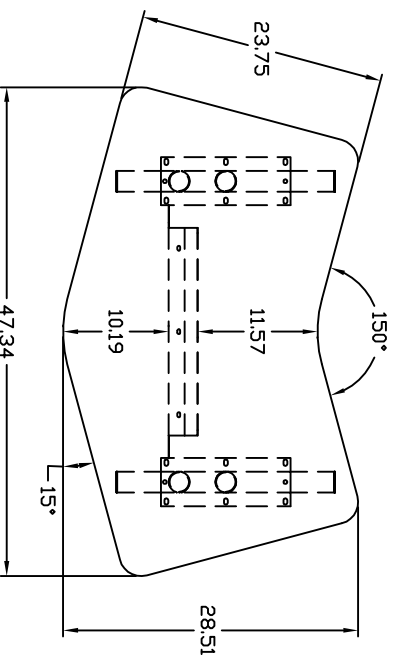
MODEL NUMBERS:
M24**

NOTE: ADD .25 TD TOP FOR KNIFE EDGE T-MOLD

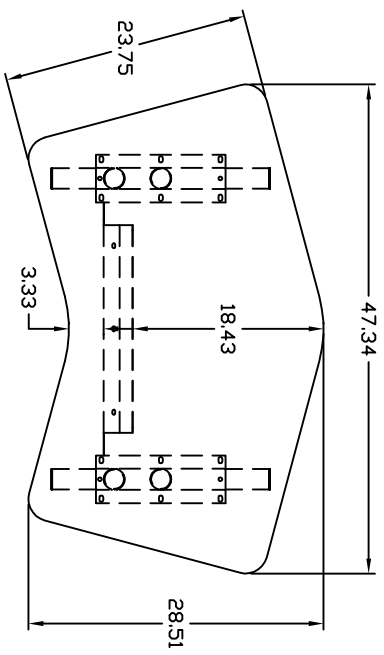
**DIMENSIONAL DRAWING FOR
MEETING PLUS TABLES
24" W. TRANSITION**



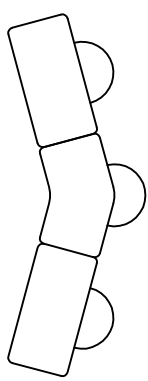
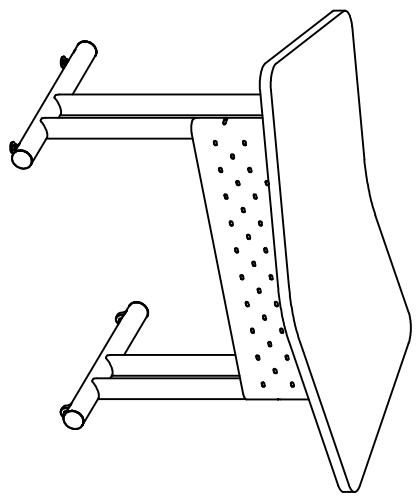
CONFERENCE



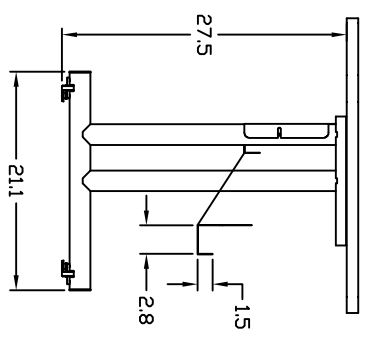
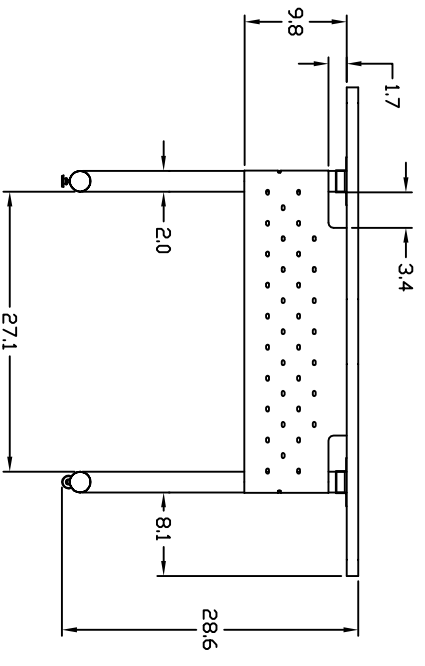
CONFERENCE



STADIUM



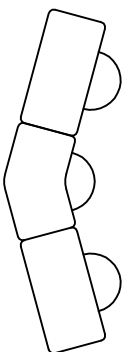
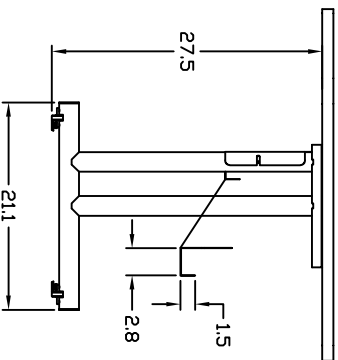
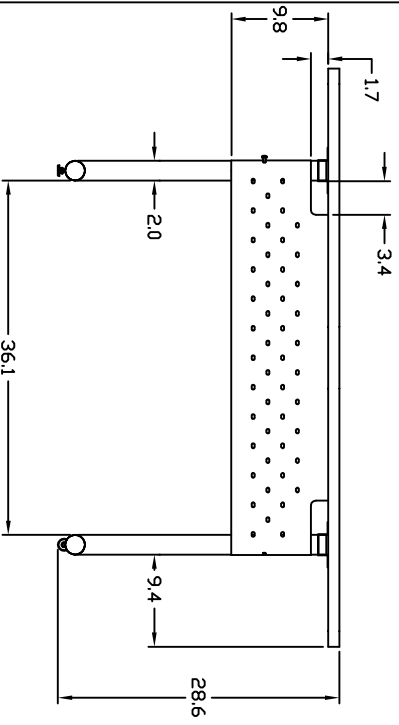
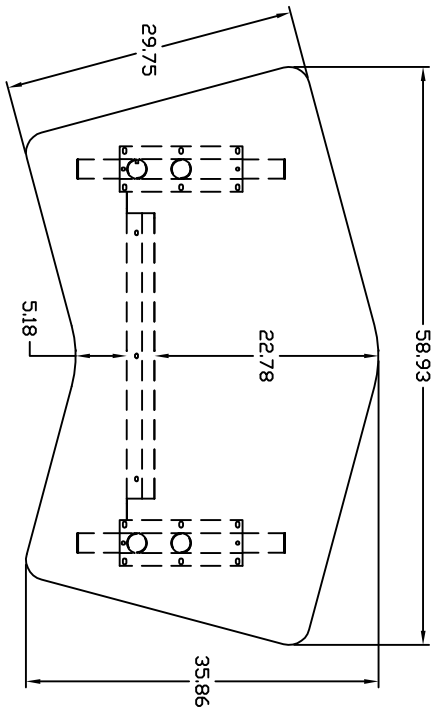
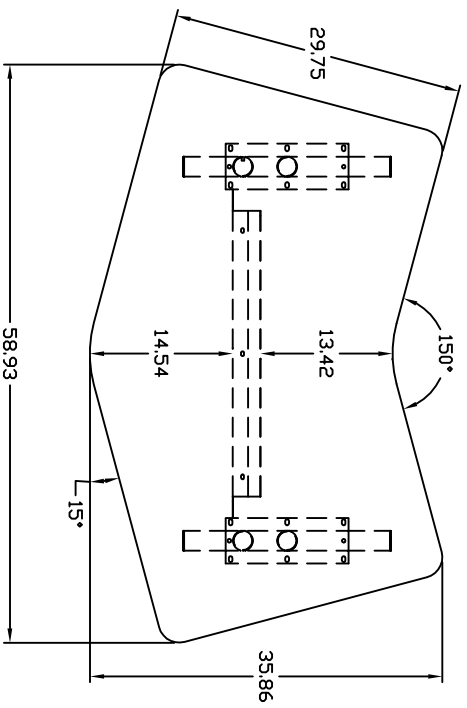
STADIUM



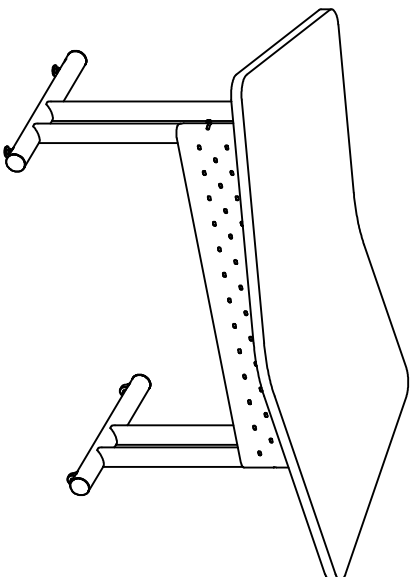
MODEL NUMBERS:
M30**

NOTE: ADD .25 TO TOP FOR KNIFE EDGE T-MOLD

**DIMENSIONAL DRAWING FOR
MEETING PLUS TABLES
30" W. TRANSITION**



CONFERENCE



STADIUM

