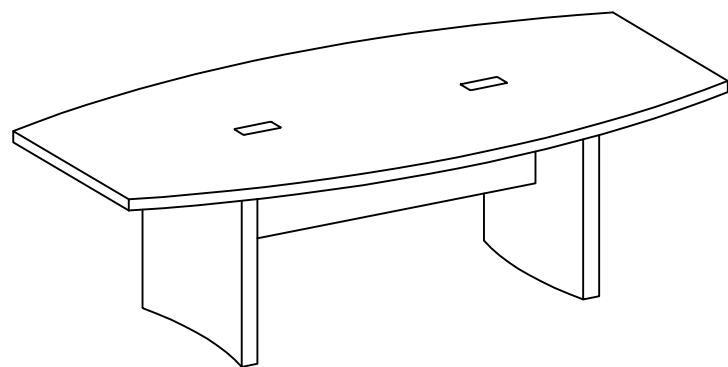


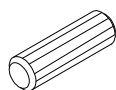
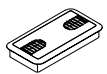
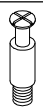
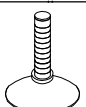
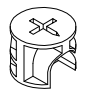

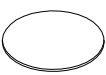
Aberdeen Series™
Conference Table 96" x 48"
Model No. ACTB8



ASSEMBLY INSTRUCTIONS

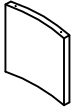
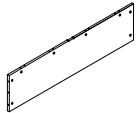
CALL 1-800-822-8037 FOR ASSISTANCE


PARTS LIST

Name	Part	Qty.	Spare Qty	Name	Part	Qty.	Spare Qty
A	 REALS004 Wood Dowel	8	2	E	 REALS099 Grommet	2	
B	 REALS003 Cam Post	18	2	F	 REAL067 Leveler	4	
C	 REALS001 Cam Fastener	18	2		 ACTBHB		
D	 REALS102** Cam Sticker	18	2				

Items with HB are in hardware box.
**Denotes Color Code

PARTS LIST

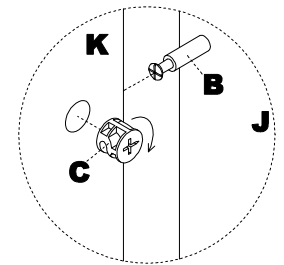
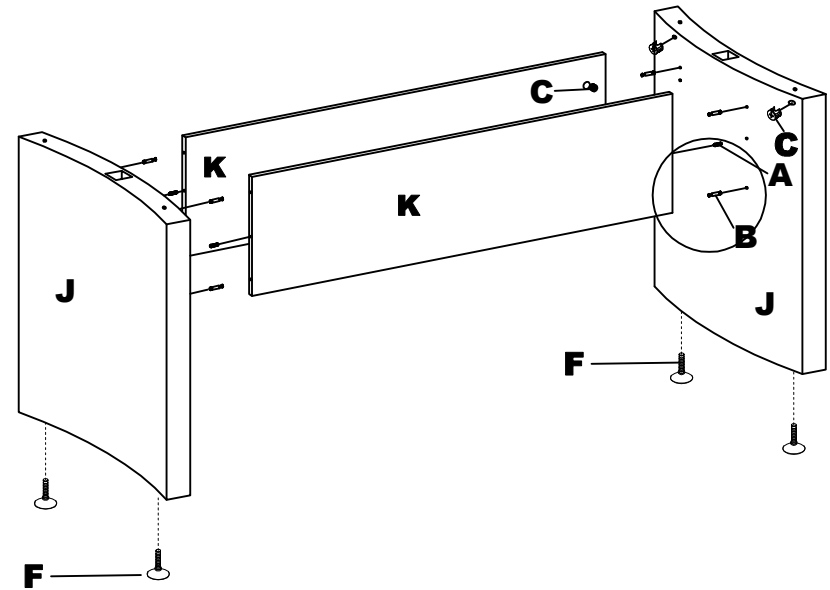
Name	Part	Qty.
J	 ACLG** Table Leg	2
K	 ACM8** Modesty Panel	2

Name	Part	Qty.
L*	 ABT8** Top	1

*Available in Cherry (LCR) or Mocha (LDC) finish only.
**Denotes Color Code

2

- 1 Insert Wood Dowels (A) and Cams (C) into Modesty Panels (K). Install Leveler (F) and Cams (C) into Legs (J). Install Cam Posts (B) into threaded inserts in Table Legs (J). Secure Modesty Panels (K) to Table Legs (J) by turning Cams (C).

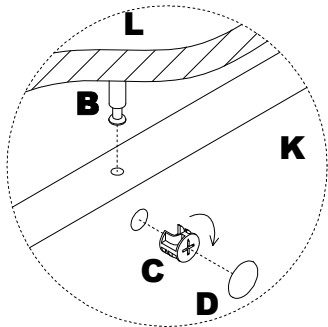
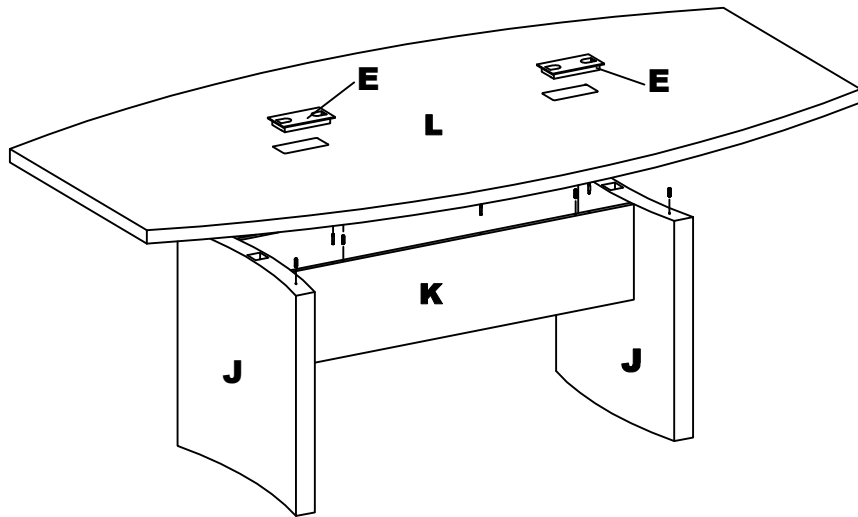


NOTE: The arrow on the face of the Cam (C) should point towards the Cam Post (B) for proper alignment.

3

2

Insert Wood Dowels (A) into the top of the Table Legs (J) and Modesty Panels (K). Insert Cams into the Modesty Panels (K). Install Cam Posts (B) into threaded inserts in the underside of the Top (L). Secure Top (L) to Modesty Panels (K) by turning Cams (C). Apply Cam Stickers (D) to exposed Cams (C). Install Cap and Grommet (E).



NOTE: The arrow on the face of the Cam (C) should point towards the Cam Post (B) for proper alignment.