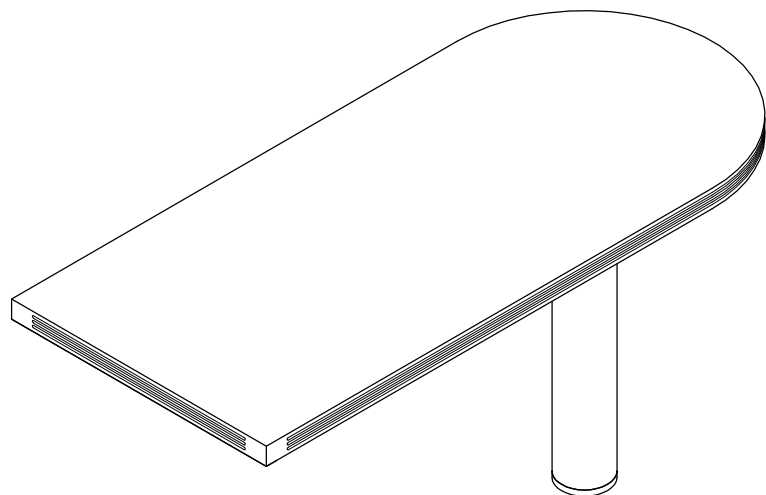


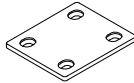
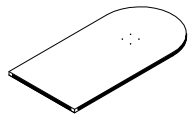

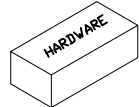
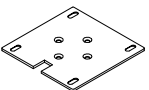


Aberdeen Series™  
Peninsula Return 60" x 30"  
Model No. APR6030



**ASSEMBLY INSTRUCTIONS**  
**CALL 1-800-822-8037 FOR ASSISTANCE**

# PARTS LIST

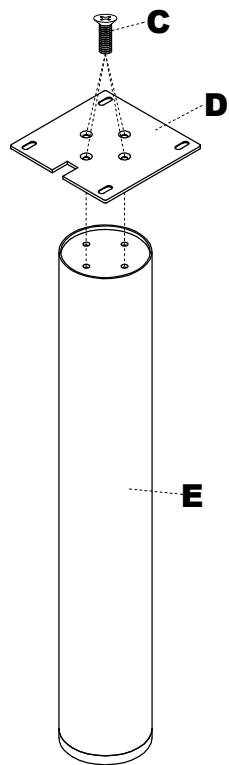
Name	Part	Qty.	Spare Qty	Name	Part	Qty.	Spare Qty
<b>A</b>	 <b>REALS068</b> Ø4 x 30mm HB	<b>8</b>	<b>1</b>	<b>E</b>	 <b>REALS166</b> Metal Leg	<b>1</b>	
<b>B</b>	 <b>REALS161</b> Plate HB	<b>2</b>		<b>F*</b>	 <b>APR6030F**</b> Top	<b>1</b>	
<b>C</b>	 <b>REALS043</b> Ø6 x 15mm HB	<b>8</b>	<b>1</b>		 <b>APRHB</b>		
<b>D</b>	 <b>REALS164</b> Plate For Leg	<b>1</b>					

Items with HB are in hardware box.

\*Available in Cherry (LCR) or Mocha (LDC) finish only.

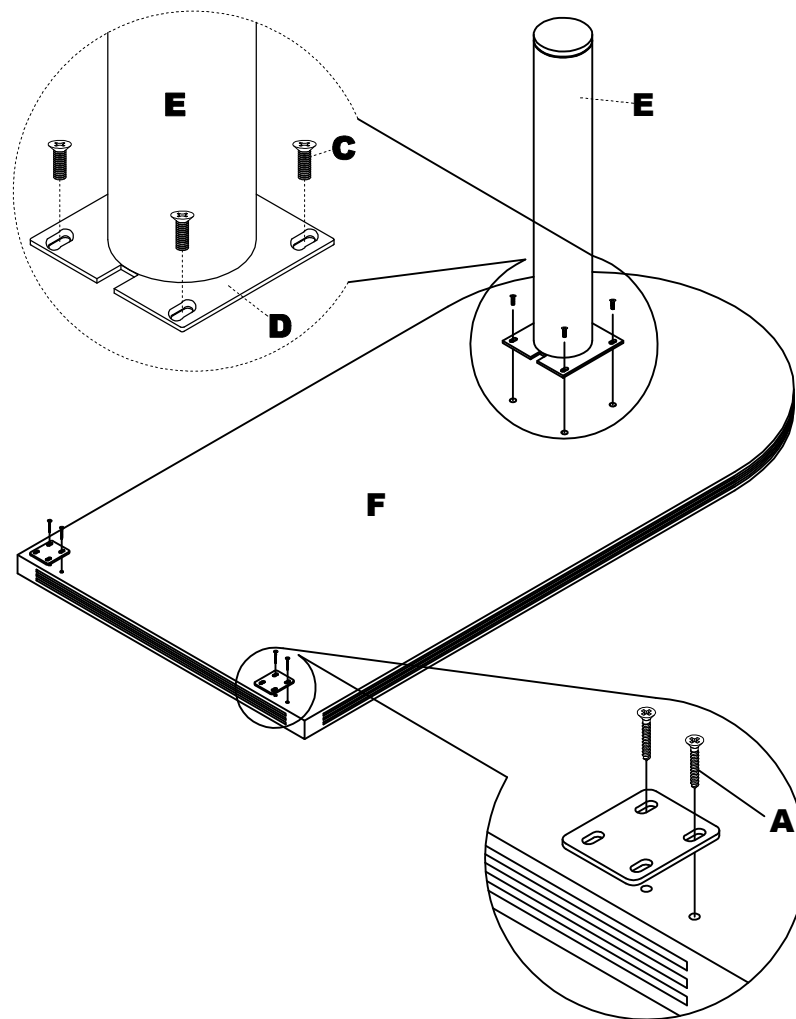
\*\*Denotes Color Code

**1** Attach Plate (D) to Leg (E) using Screws (C).



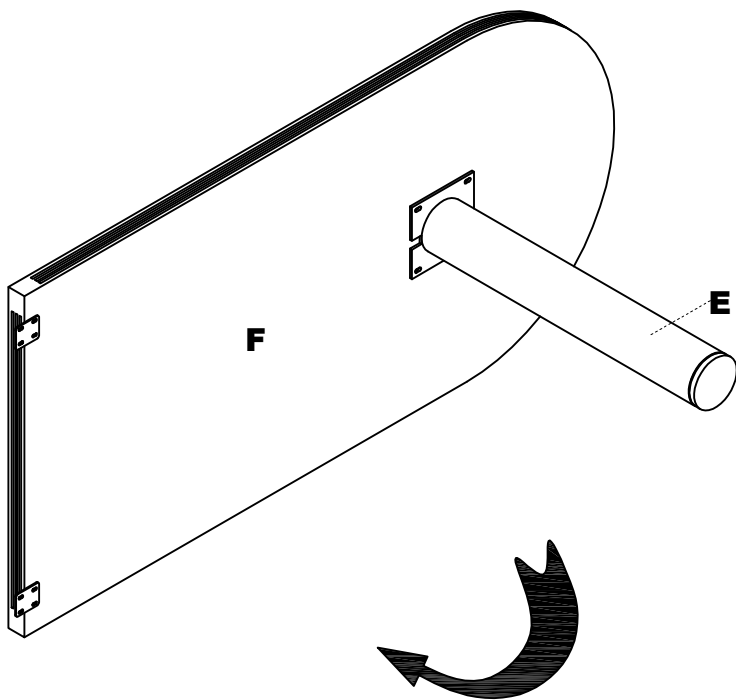
**2**

**2** Attach Leg Assembly to Top (F) using Screws (C).



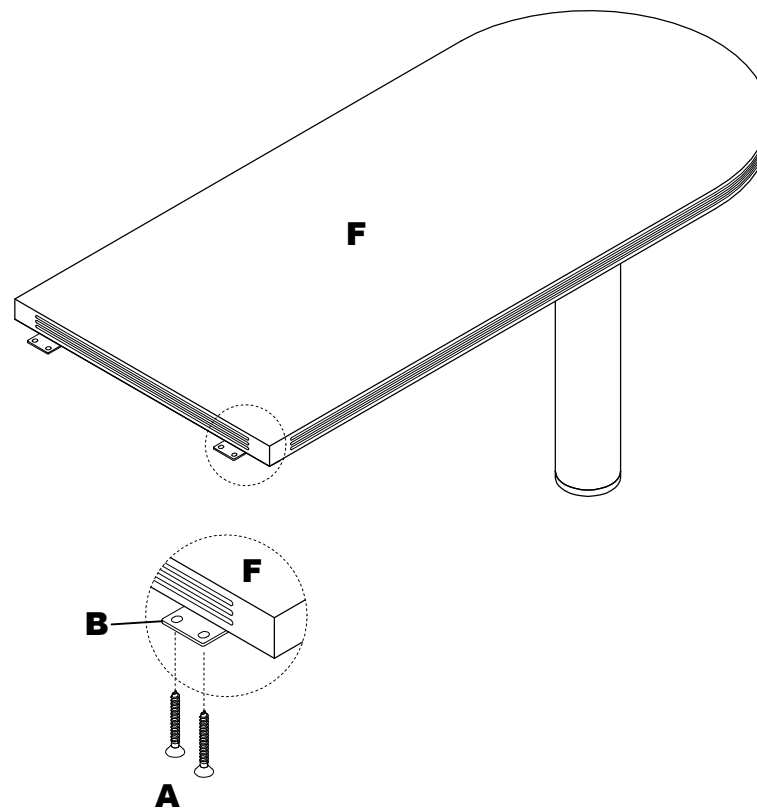
**3**

- 3** Use two people to carefully turn the table. DO NOT use the Leg as a handle.



**4**

- 2** Attach Peninsula to adjacent table using Plates (B) and Screws (A).



**5**