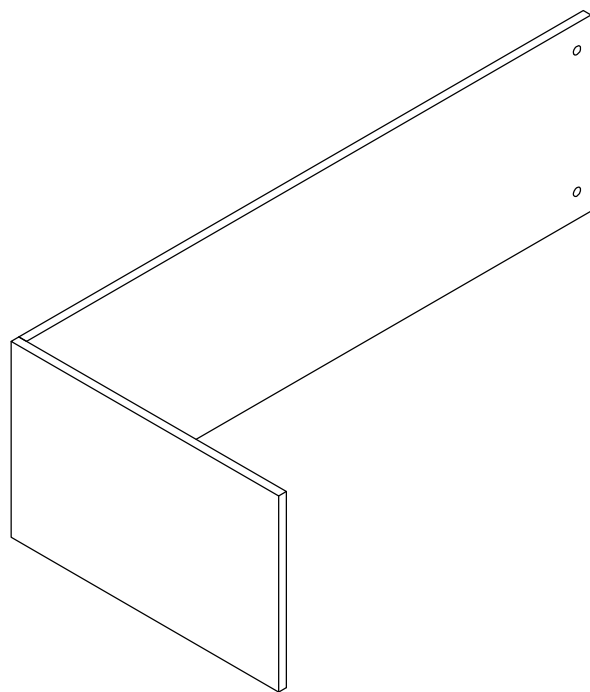
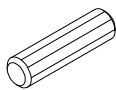

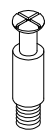


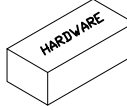


Aberdeen Series™
Reception Return Screen
Model No. ARRS



ASSEMBLY INSTRUCTIONS
CALL 1-800-822-8037 FOR ASSISTANCE

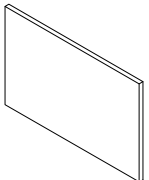
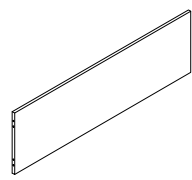
PARTS LIST

Name	Part	Qty.	Spare Qty	Name	Part	Qty.	Spare Qty
A	 REALS004 Wood Dowel	2	1	D	 REALS102** Cam Sticker	4	1
B	 REALS003 Cam Post	4	1	E	 REALS248 Foam Tape	2	
C	 REALS001 Cam Fastener	4	1				
	 ARRSHB						

Items with HB are in hardware box.

**Denotes Color Code

PARTS LIST

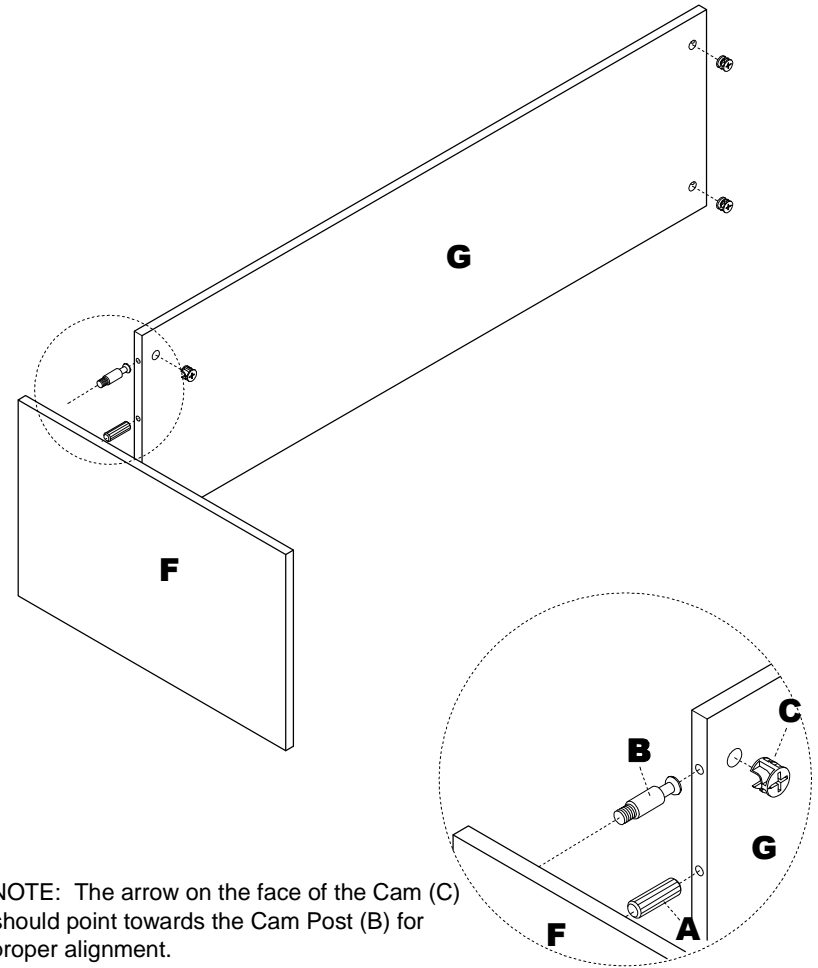
Name	Part	Qty.	Name	Part	Qty.
F*	 ARRSF** Side Panel	1	G*	 ARRSG** Modesty Panel	1

* Available in Cherry (LCR) or Mocha (LDC) finish only.

**Denotes Color Code

2

- 1** Insert Wood Dowels (A) into Modesty Panel (G). Insert Cams (C) into the Modesty Panel (G). Install Cam Posts (B) into threaded inserts in Side Panels (F). Attach Modesty Panel (G) to Side Panel (F) by turning Cams (C).



NOTE: The arrow on the face of the Cam (C) should point towards the Cam Post (B) for proper alignment.

3

2

Apply Foam Tape (E) to bottom edge of Modesty Panel (G) and Side Panel (F). Attach Return Screen to Transaction Counter by turning Cams (C). Apply Cam Stickers (D) onto exposed Cams (C).

