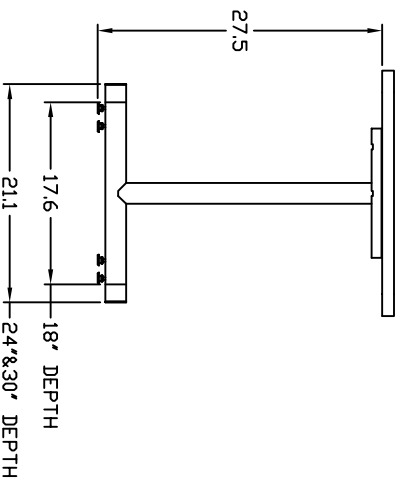
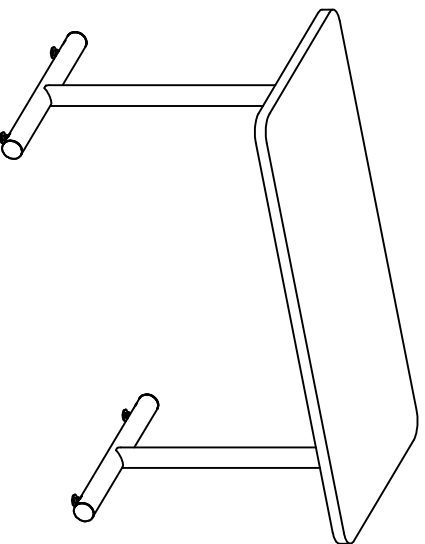
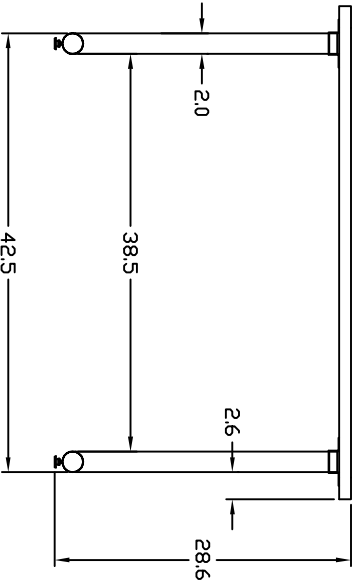
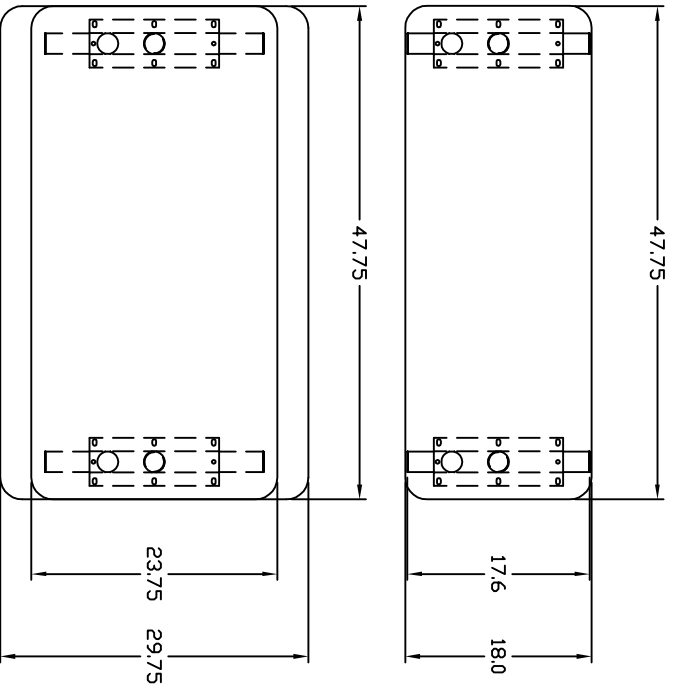


MODEL NUMBERS:
 PRS4818**
 PRA4818**
 PRS4824**
 PRA4824**
 PRS4830**
 PRA4830**

NOTE: ADD .25 TD TOP FOR
 KNIFE EDGE T-MOLD.
 (EXCLUDING 18" DEPTH)

**DIMENSIONAL DRAWING FOR
 T-MATE TABLES
 48"W. RECTANGLE**

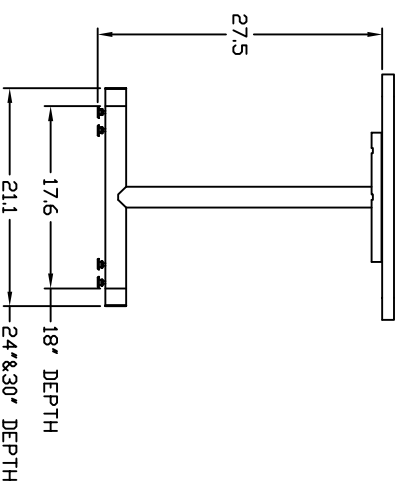
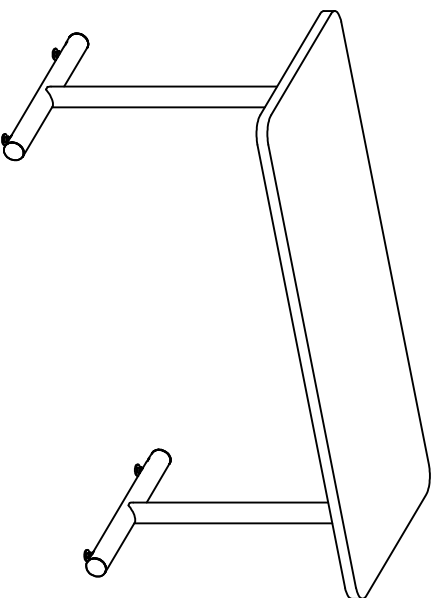
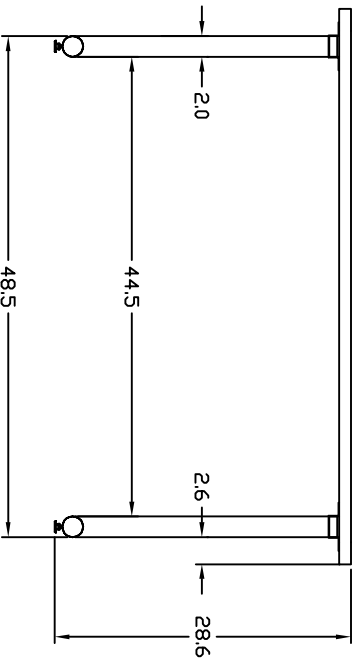
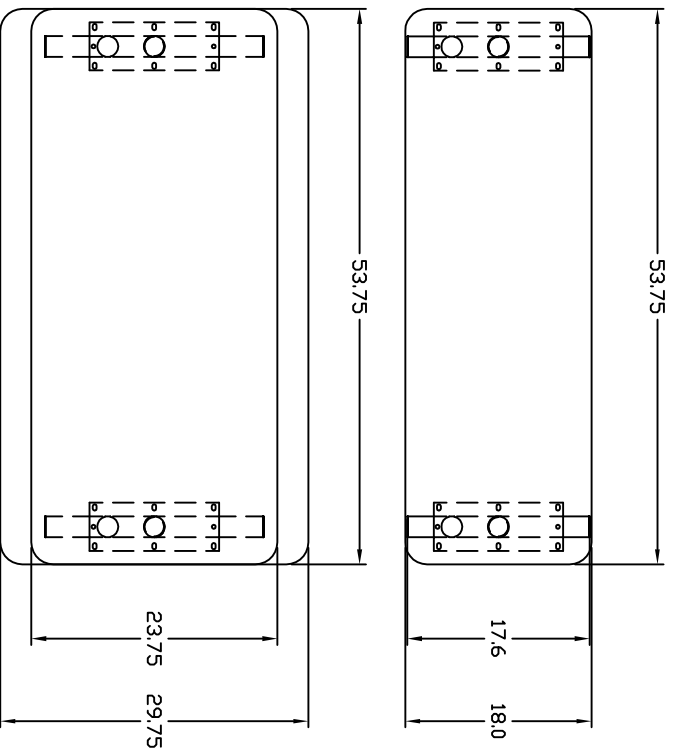


© Moyline Company, LLC
 619 N. Commerce, P.O. Box 728
 Sheboygan, WI 53082-0728
 Toll Free: 1-800-822-8037
 FAX: 920-457-7388
 On Line: www.moyline.com

MODEL NUMBERS:
 PRS1854**
 PRA1854**
 PRS2454**
 PRA2454**
 PRS3054**
 PRA3054**

NOTE: ADD .25 TD TOP FOR
 KNIFE EDGE T-MOLD.
 (EXCLUDING 18" DEPTH)

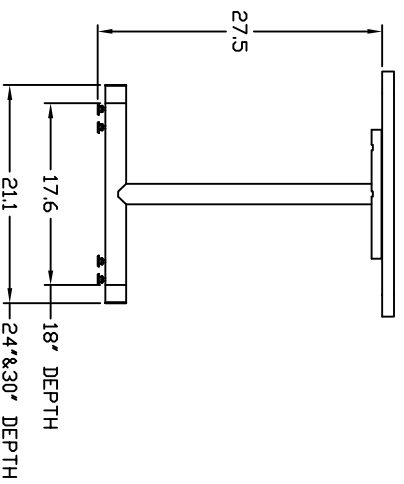
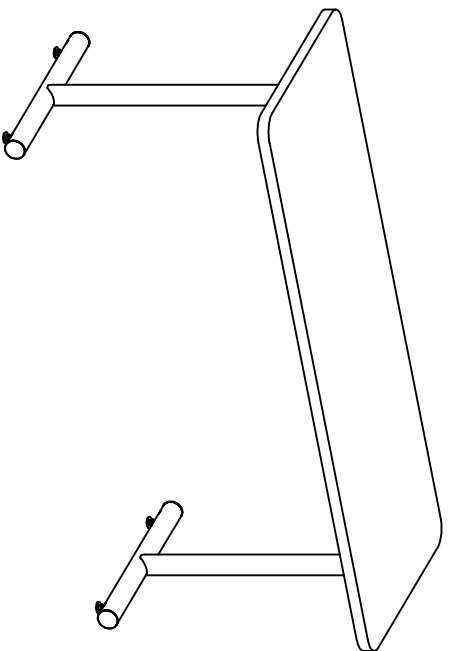
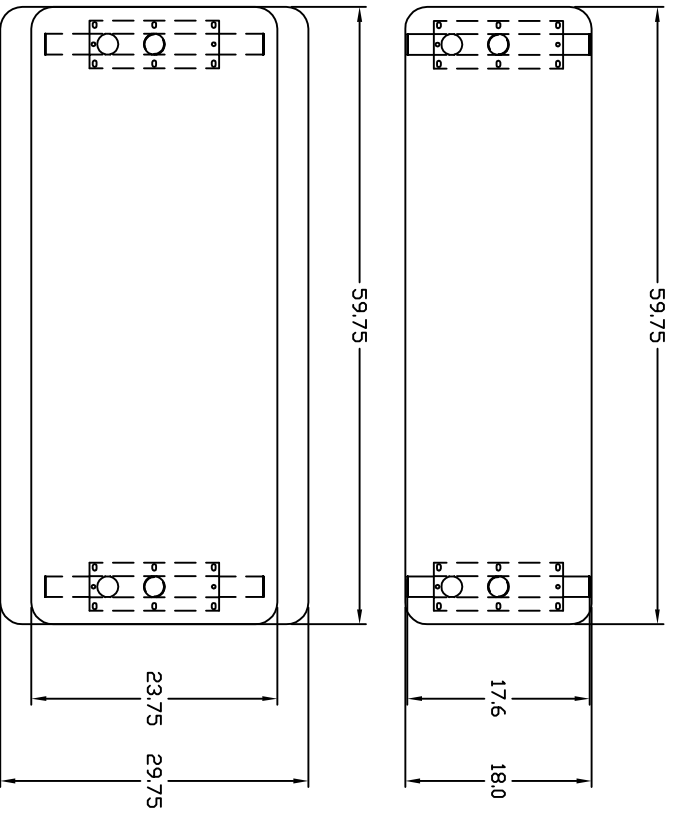
**DIMENSIONAL DRAWING FOR
 T-MATE TABLES
 54"W. RECTANGLE**



MODEL NUMBERS:
 PRS6018**
 PRA6018**
 PRS6024**
 PRA6024**
 PRS6030**
 PRA6030**

NOTE: ADD .25 TO TOP FOR
 KNIFE EDGE T-MOLD.
 (EXCLUDING 18" DEPTH)

**DIMENSIONAL DRAWING FOR
 T-MATE TABLES
 60"W. RECTANGLE**



MODEL NUMBERS:
 PRS7218**
 PRA7218**
 PRS7224**
 PRA7224**
 PRS7230**
 PRA7230**

NOTE: ADD .25 TD TOP FOR
 KNIFE EDGE T-MOLD.
 (EXCLUDING 18" DEPTH)

**DIMENSIONAL DRAWING FOR
 T-MATE TABLES
 72"W. RECTANGLE**

