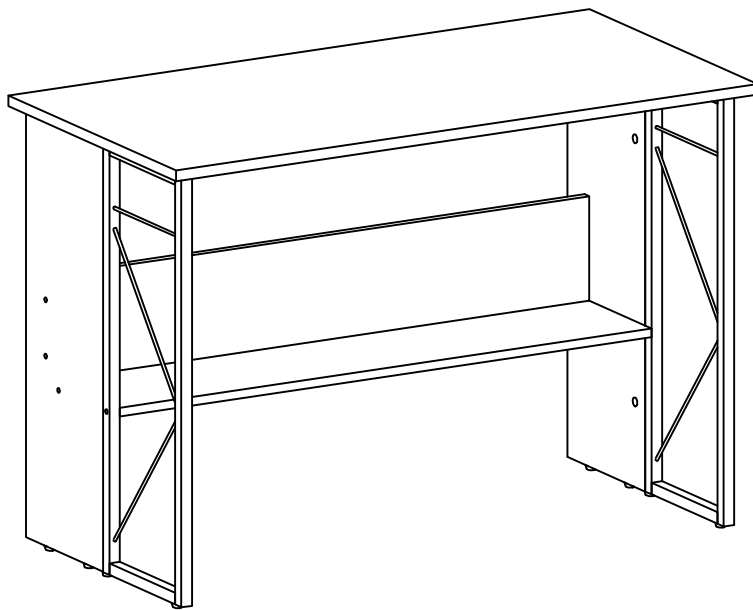


Computer Desk

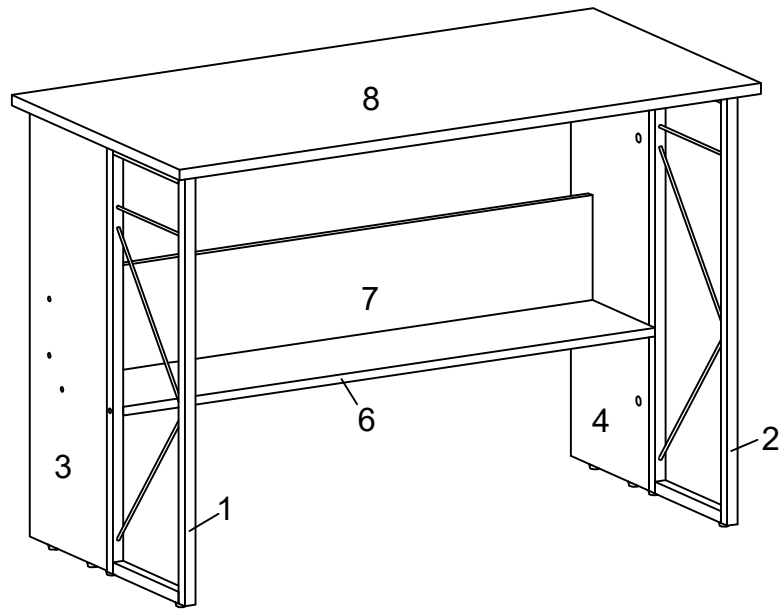
Model No. 1005

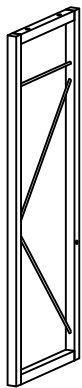
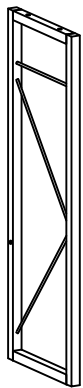
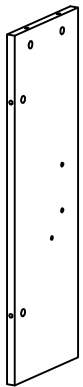
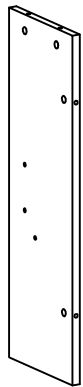
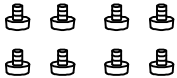
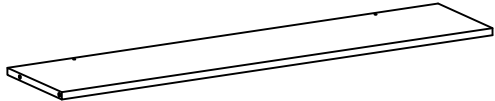
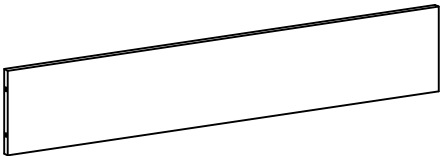
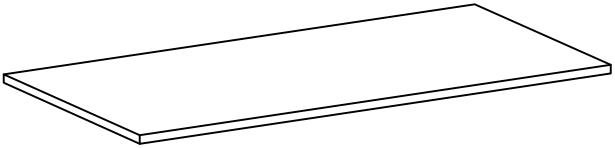


ASSEMBLY INSTRUCTIONS



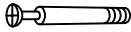

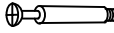
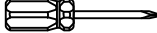

CALL 1-800-822-8037 FOR ASSISTANCE

■PARTS LIST



 <p>1</p>	 <p>2</p>	 <p>3</p>	 <p>4</p>
 <p>5</p>		 <p>6</p>	
 <p>7</p>		 <p>8</p>	

■SCREWS LIST

PART	QTY.	ITEM		PART	QTY.	ITEM	
A	8	6x45 MM		E	10	φ15 MM	
B	6	6x45 MM		F	8	φ10 MM	
C	4	6x40 MM			1		
D	4	6x30 MM					

*For Replacement Hardware Box order Part# 1005HB

Thanks for purchasing one of our products, please carefully read the assembly instructions before beginning the installation.

General Care:

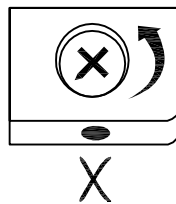
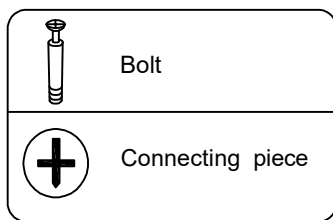
-Keep your furniture out direct sunlight-Use desk pads and coasters to protect the surface from dents,scratches,and moisture from hot or cold liquids.

Cleaning:

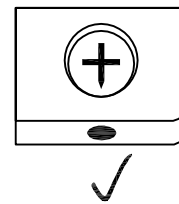
-For cleaning, wipe the surface with a damp (not wet) cloth or wipe dry with a clean lint free cotton cloth.

-Window cleaning liquid or a similar cleaning liquid can be used to clean glass surface.

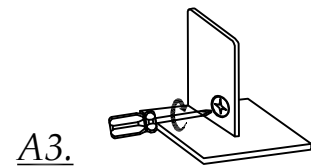
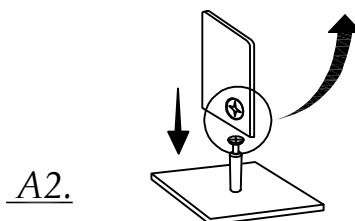
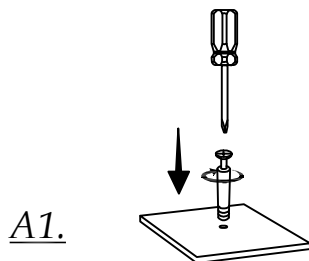
6x40MM & 6x45MM BOLT INSTALLATION AS BELOW:



Adjust connecting piece direction if condition as illustrated

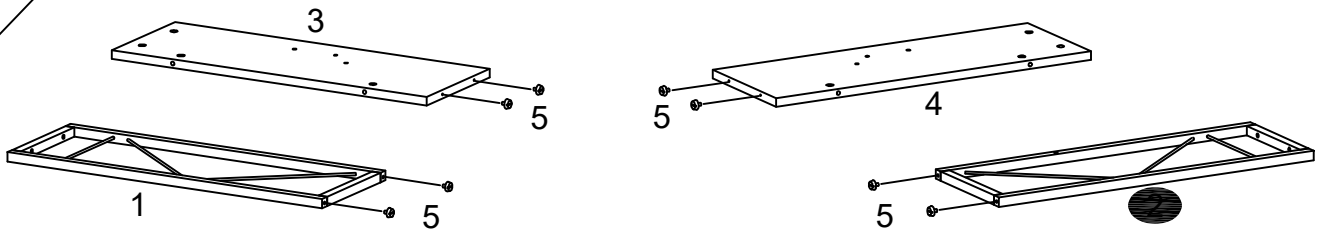


Insert bolt when Connecting piece under Such condition

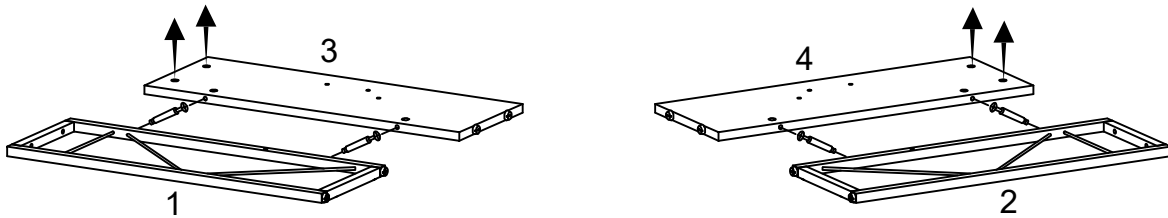


■ ASSEMBLY STEPS:

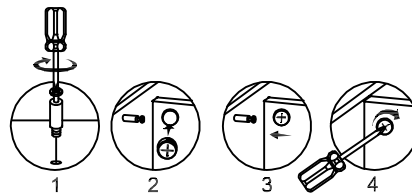
1



2



■ SCREWS



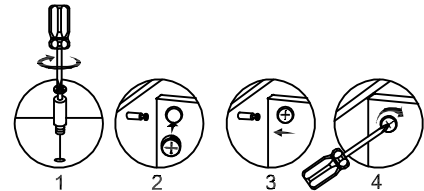
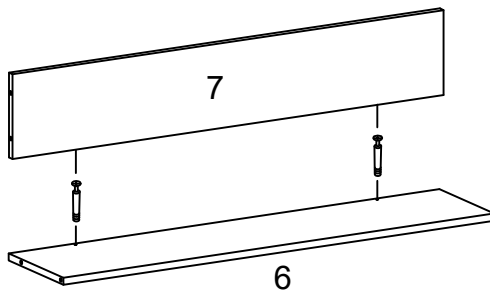
C 6x40 MM

4PCS

E Ø15 MM

4PCS

3



■ SCREWS

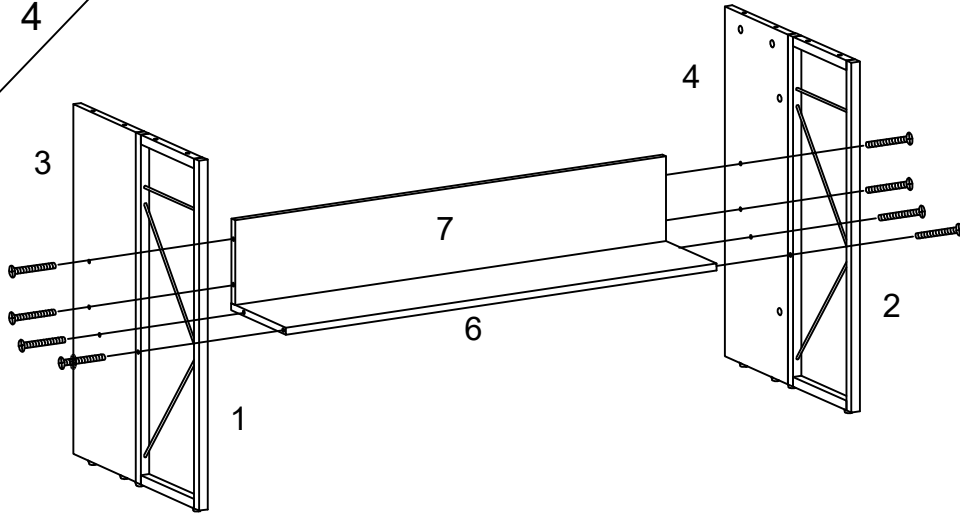
B 6x45 MM

2PCS

E Ø15 MM

2PCS

4



■ SCREWS

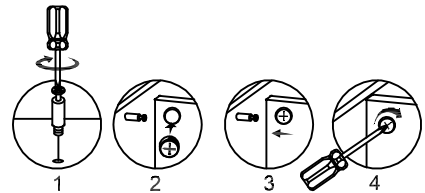
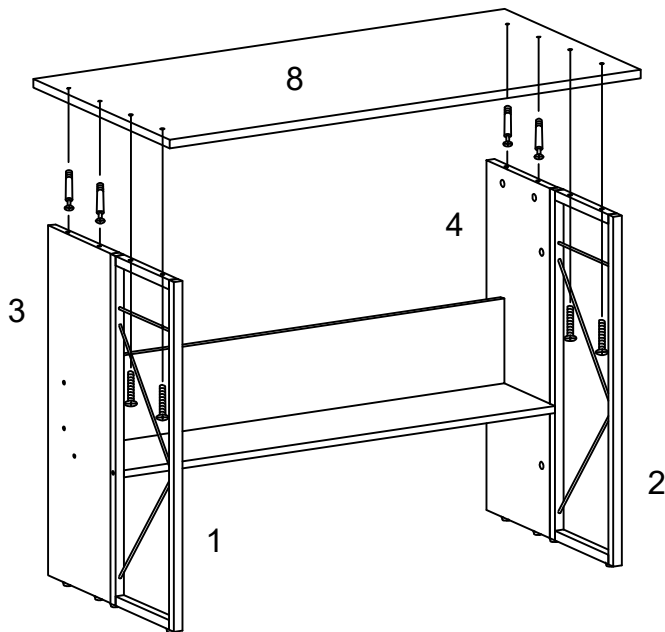
A 6x45 MM

8PCS

F Ø10 MM

8PCS

5



■ SCREWS

B 6x45 MM

4PCS

E Ø15 MM

4PCS

D 6x30 MM

4PCS

6

