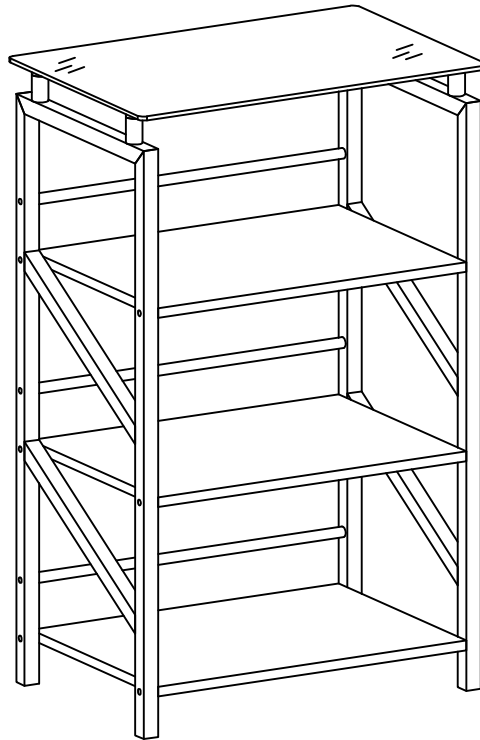


# Bookcase 4-Shelf

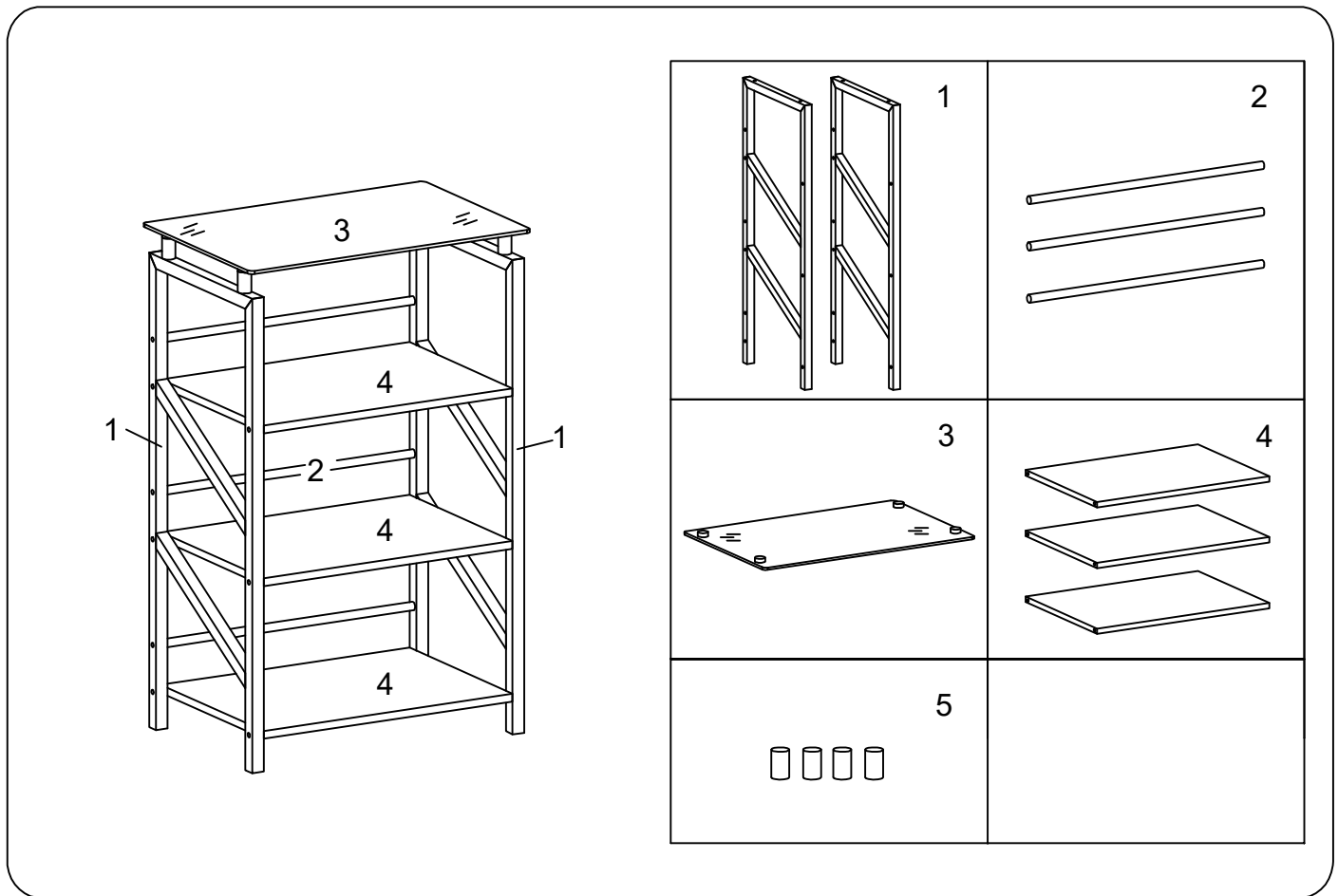
## Model No. 1007



## ASSEMBLY INSTRUCTIONS

CALL 1-800-822-8037 FOR ASSISTANCE

## ■PARTS LIST



Thanks for purchasing one of our products, please carefully read the assembly instructions before beginning the installation.

### General Care:



-Keep your furniture out direct sunlight-Use desk pads and coasters to protect the surface from dents,scratches,and moisture from hot or cold liquids.


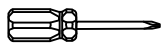
### Cleaning:

-For cleaning, wipe the surface with a damp (not wet) cloth or wipe dry with a clean lint free cotton cloth.

-Window cleaning liquid or a similar cleaning liquid can be used to clean glass surface.

## ■SCREWS LIST

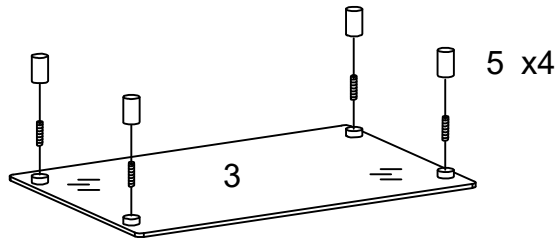
PART	QTY.	ITEM	
A	4	6x20 MM	
B	12	6x50 MM	

PART	QTY.	ITEM	
C	10	6x35 MM	
	1		

\*For Replacement Hardware Box order Part# 1007HB

■ ASSEMBLY STEPS:

1

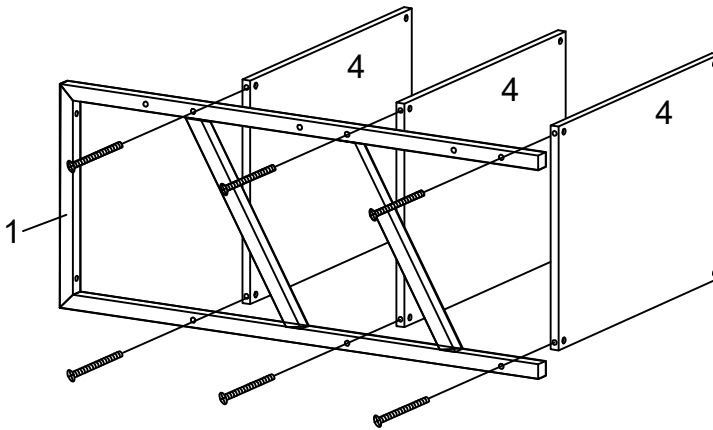


■ SCREWS

A 6x20 MM

4PCS

2



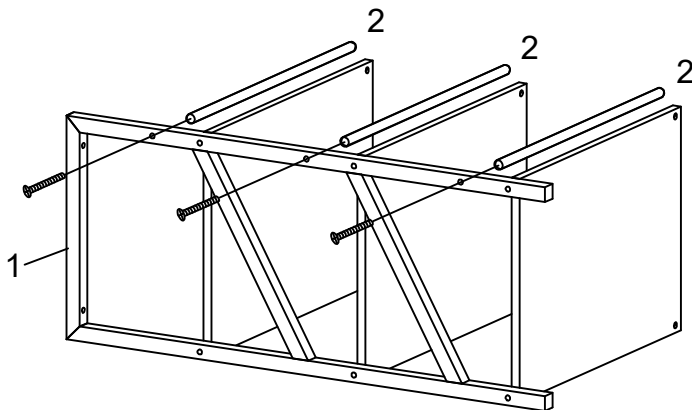
■ SCREWS

B 6x50 MM

6PCS



3



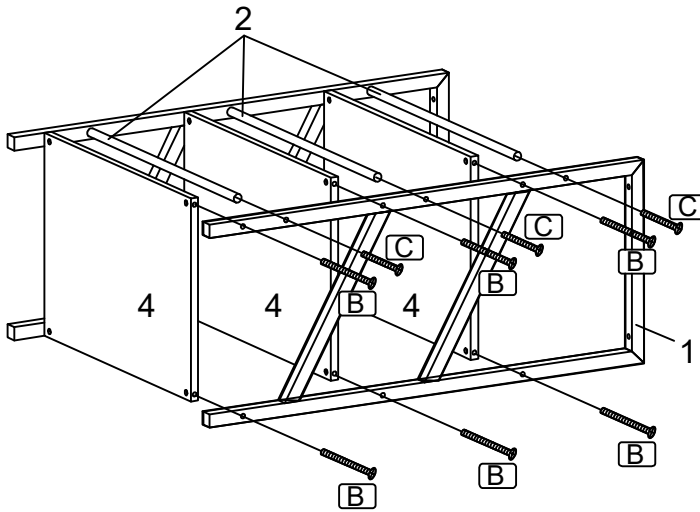
■ SCREWS

C 6x35 MM

3PCS




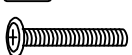


4

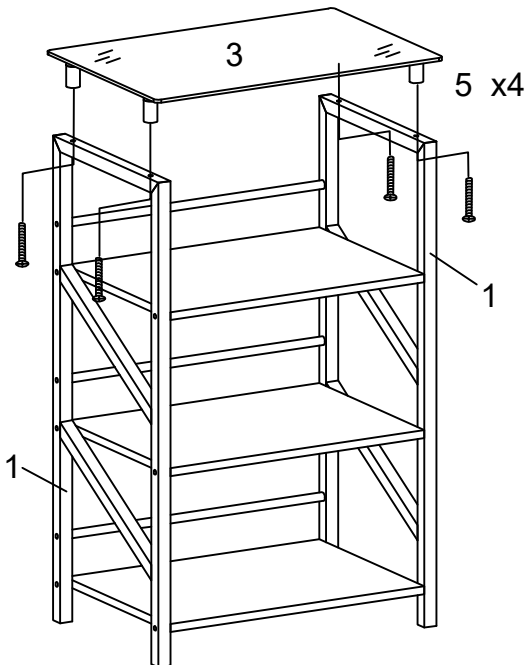


DO NOT TIGHTEN THE SCREWS BEFORE ALL SCREWS ARE IN PLACE

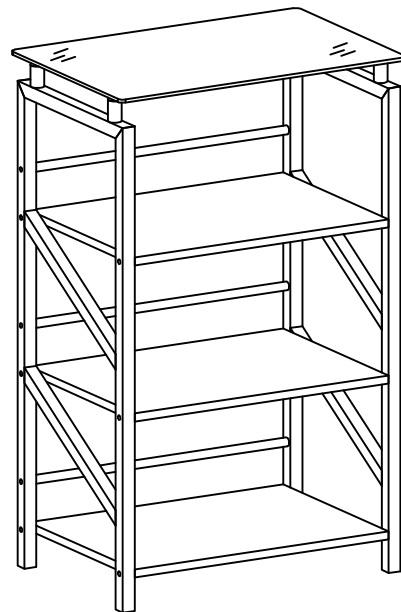
■ SCREWS

B	6x50 MM	
	6PCS	
C	6x35 MM	
	3PCS	



5



6



■ SCREWS

C	6x35 MM	
	4PCS	