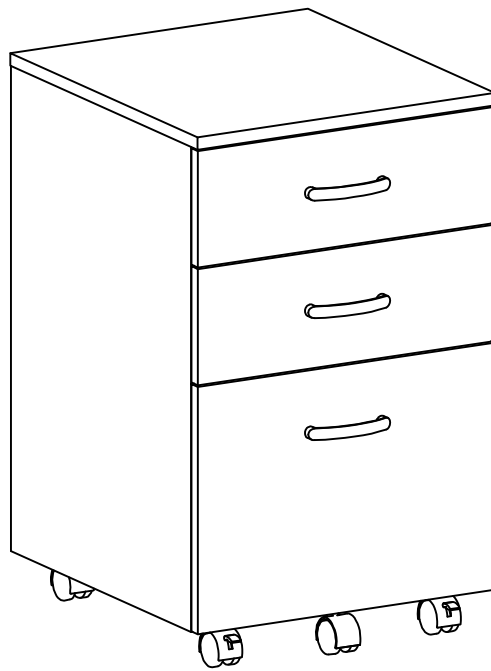




Pedestal, Box/Box/File

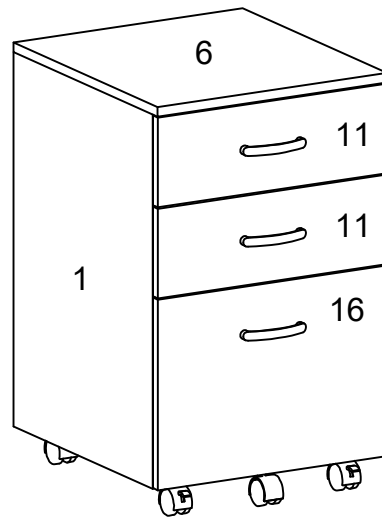
Model No. 1008



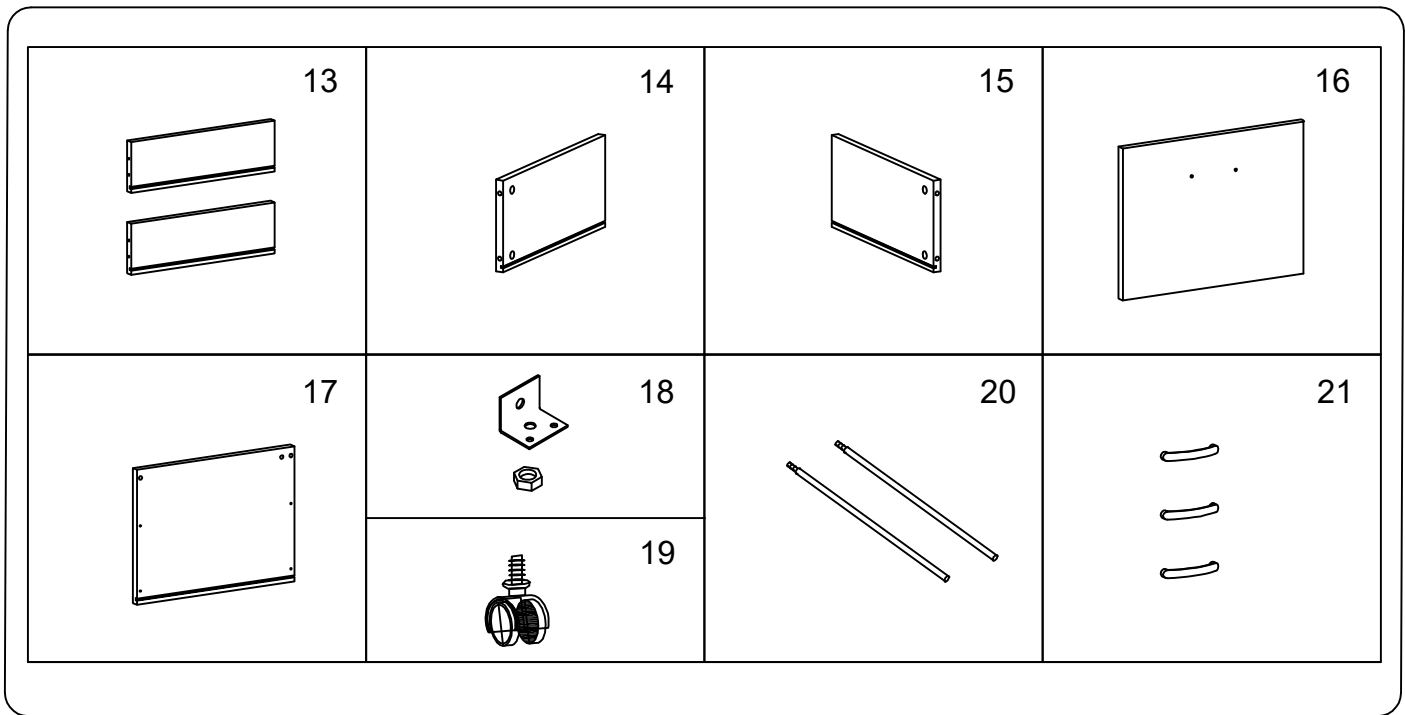
ASSEMBLY INSTRUCTIONS

CALL 1-800-822-8037 FOR ASSISTANCE

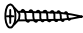
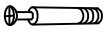
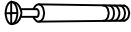

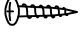
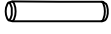


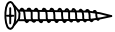

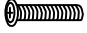
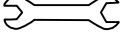
■PARTS LIST



<p>1</p>	<p>2</p>	<p>3</p>	<p>4</p>
<p>5</p>	<p>6</p>	<p>7</p>	<p>8</p>
<p>9</p>	<p>10</p>	<p>11</p>	<p>12</p>



■SCREWS LIST

PART	QTY.	ITEM		PART	QTY.	ITEM	
A	24	3x15 MM		G	4	6x25 MM	
B	24	6x40 MM		H	4	∅12 MM	
C	18	4x14 MM		I	8	8x30 MM	
D	1	6x12 MM		J	24	∅15 MM	
E	12	4x35 MM			1		
F	6	4x20 MM			1		

*For Replacement Hardware Box order Part# 1008HB

Thanks for purchasing one of our products, please carefully read the assembly instructions before beginning the installation.

General Care:

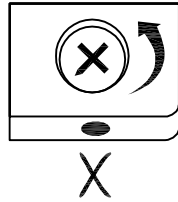
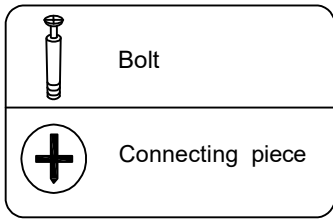
-Keep your furniture out direct sunlight-Use desk pads and coasters to protect the surface from dents,scratches,and moisture from hot or cold liquids.

Cleaning:

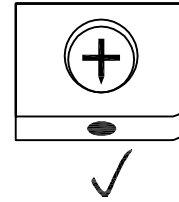
-For cleaning, wipe the surface with a damp (not wet) cloth or wipe dry with a clean lint free cotton cloth.

-Window cleaning liquid or a similar cleaning liquid can be used to clean glass surface.

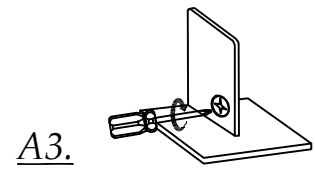
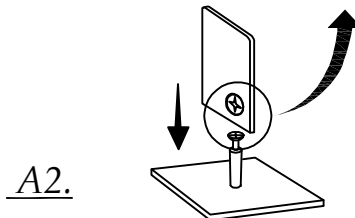
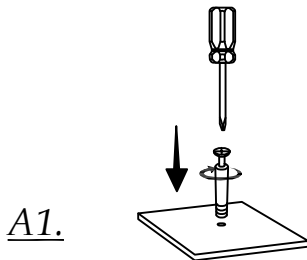
6x40MM & 6x45MM BOLT INSTALLATION AS BELOW:



Adjust connecting piece direction if condition as illustrated

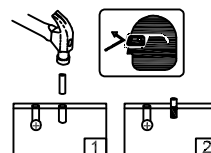
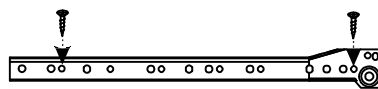
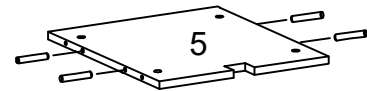
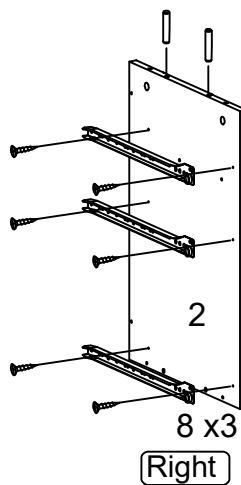
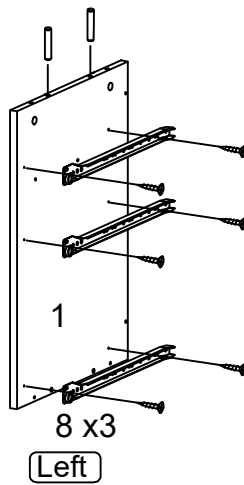


Insert bolt when Connecting piece under Such condition



ASSEMBLY STEPS:

1



SCREWS

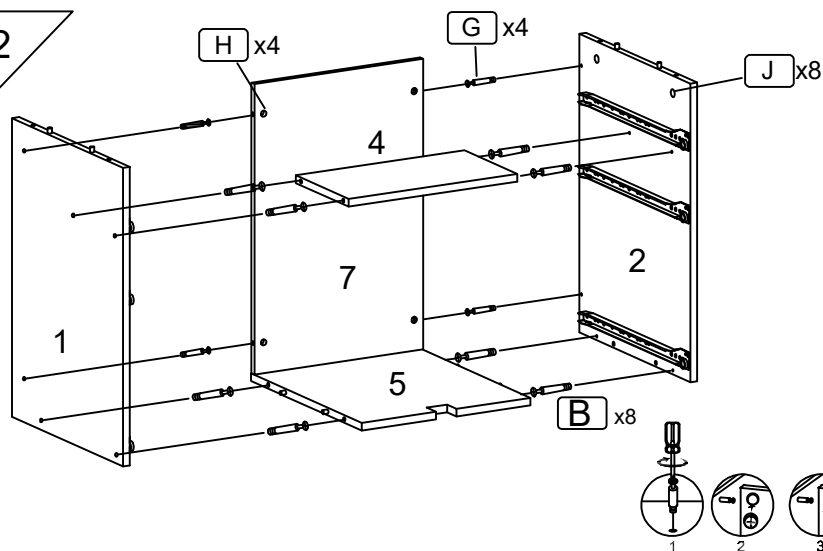
A 3x15 MM

12PCS

I 8x30 MM

8PCS

2



▪ SCREWS

B 6x40 MM

8PCS

J Ø15 MM

8PCS

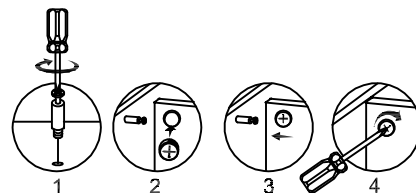
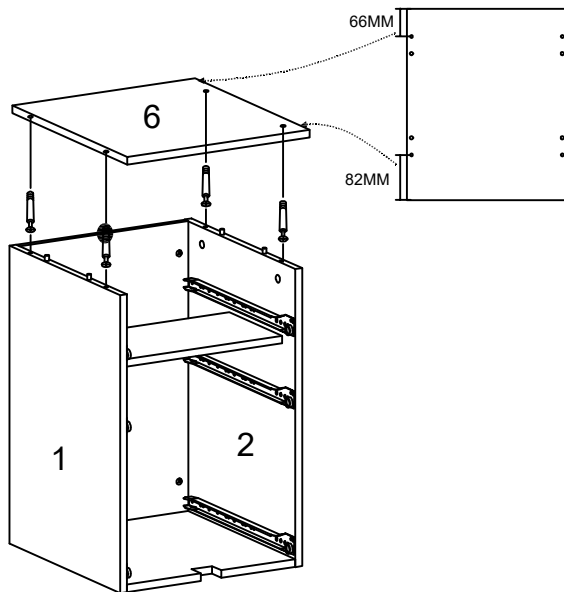
G 6x25 MM

4PCS

H Ø12 MM

4PCS

3



▪ SCREWS

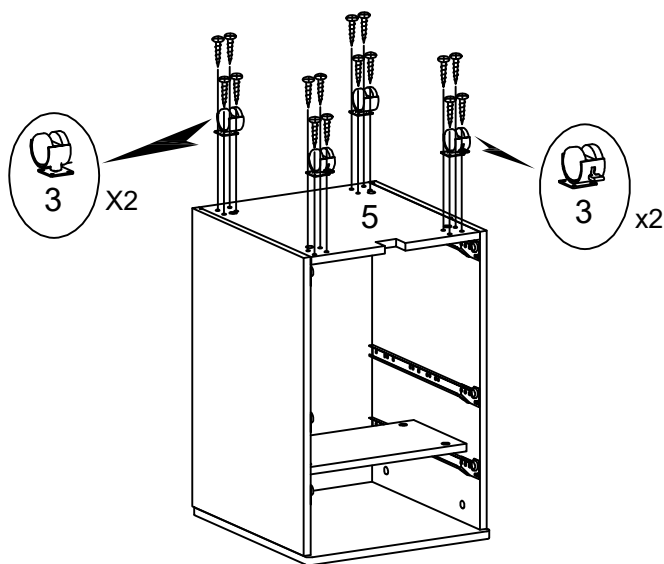
B 6x40 MM

4PCS

J Ø15 MM

4PCS

4

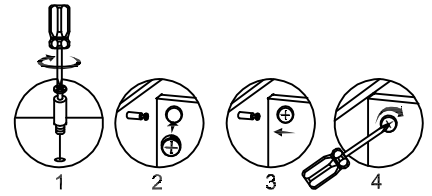
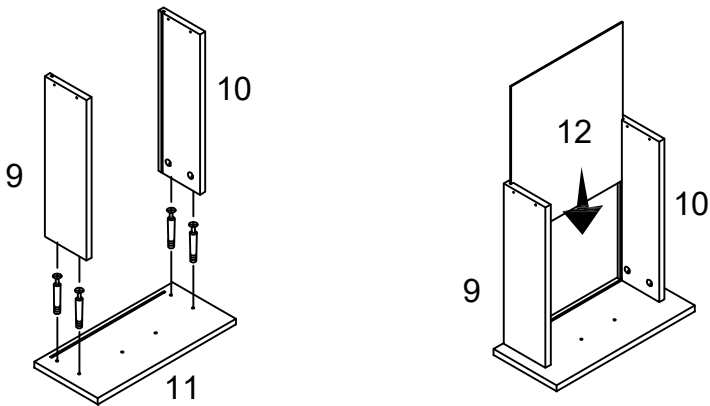


▪ SCREWS

C 4x14 MM

16PCS

5



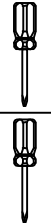
■ SCREWS

[B] 6x40 MM

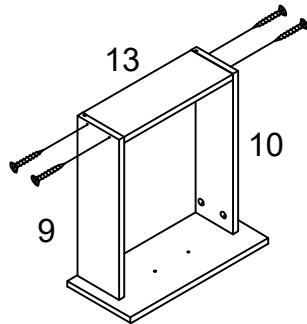
4PCS

[J] Ø15 MM

4PCS



6



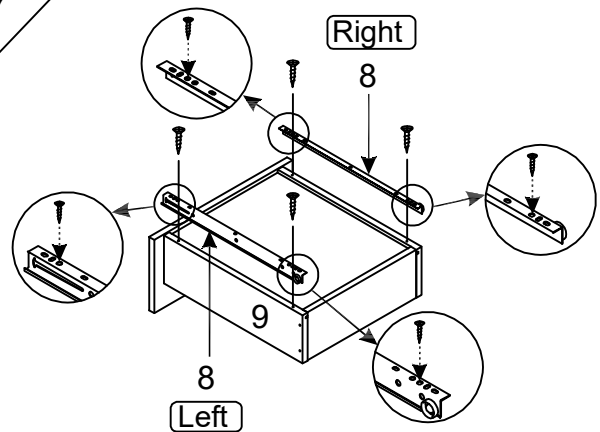
■ SCREWS

[E] 4x35 MM

4PCS



7



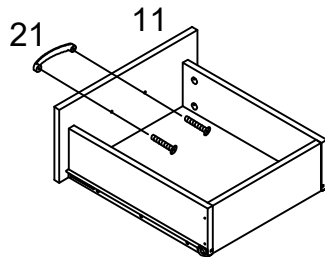
■ SCREWS

[A] 3x15 MM

4PCS



8



REPEAT FOR THE BOX DRAWERS

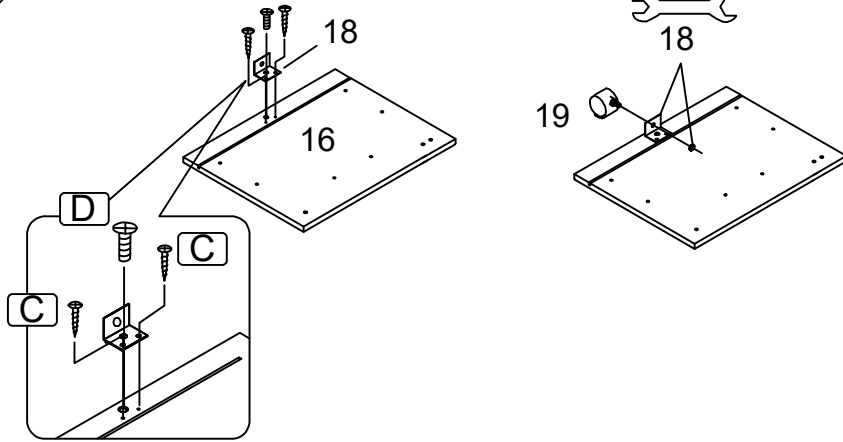
■ SCREWS

[F] 4x20 MM

2PCS



9



■ SCREWS

C 4x14 MM

2PCS

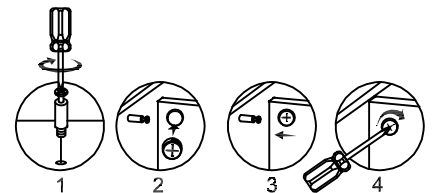
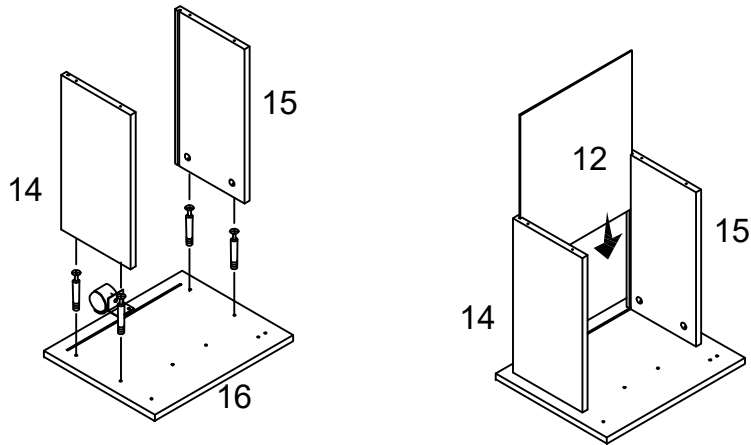


D 6x12 MM

1PC



10



■ SCREWS

B 6x40 MM

4PCS

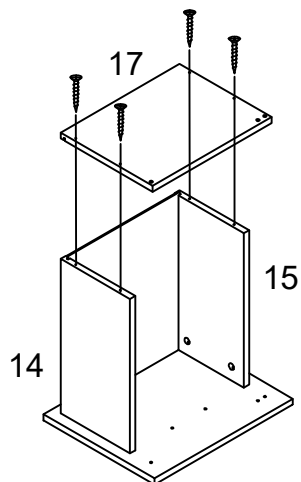


J Ø15 MM

4PCS



11



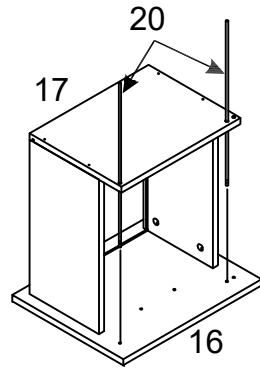
■ SCREWS

E 4x35 MM

4PCS

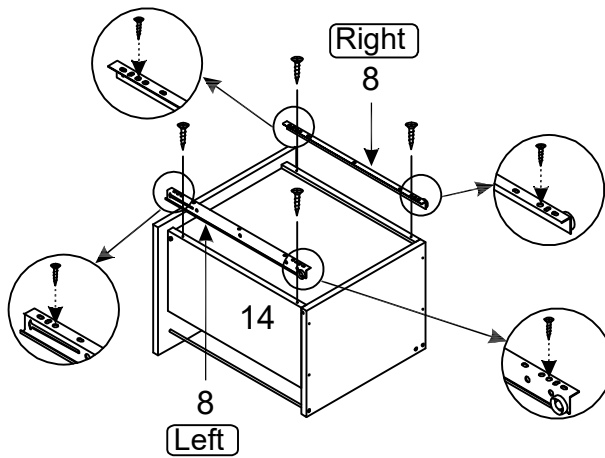


12



▲ Be careful not to overtighten the metal rod

13



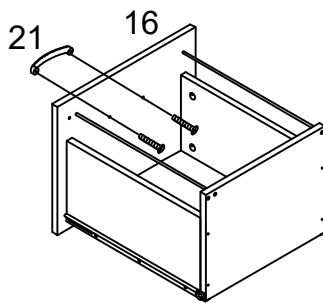
■ SCREWS

A 3x15 MM

4PCS



14



■ SCREWS

F 4x20 MM

2PCS



15

