

ASSEMBLY INSTRUCTIONS

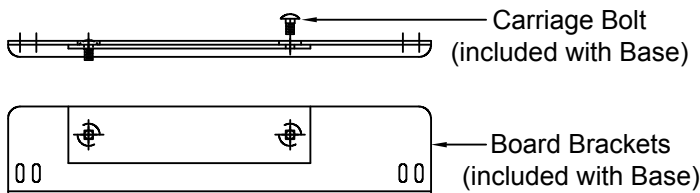
BOARD BRACKETS to TOPS

HARDWARE BAG (PART No. A4177) *for individual item, order that part number

<u>REF. #</u>	<u>QTY.</u>	<u>DESCRIPTION</u>	<u>PART No.</u>
E1	19	#10 X 3/4 SCREW	X11*

NOTE: Some hardware used in these assemblies is included with the Base Assembly.

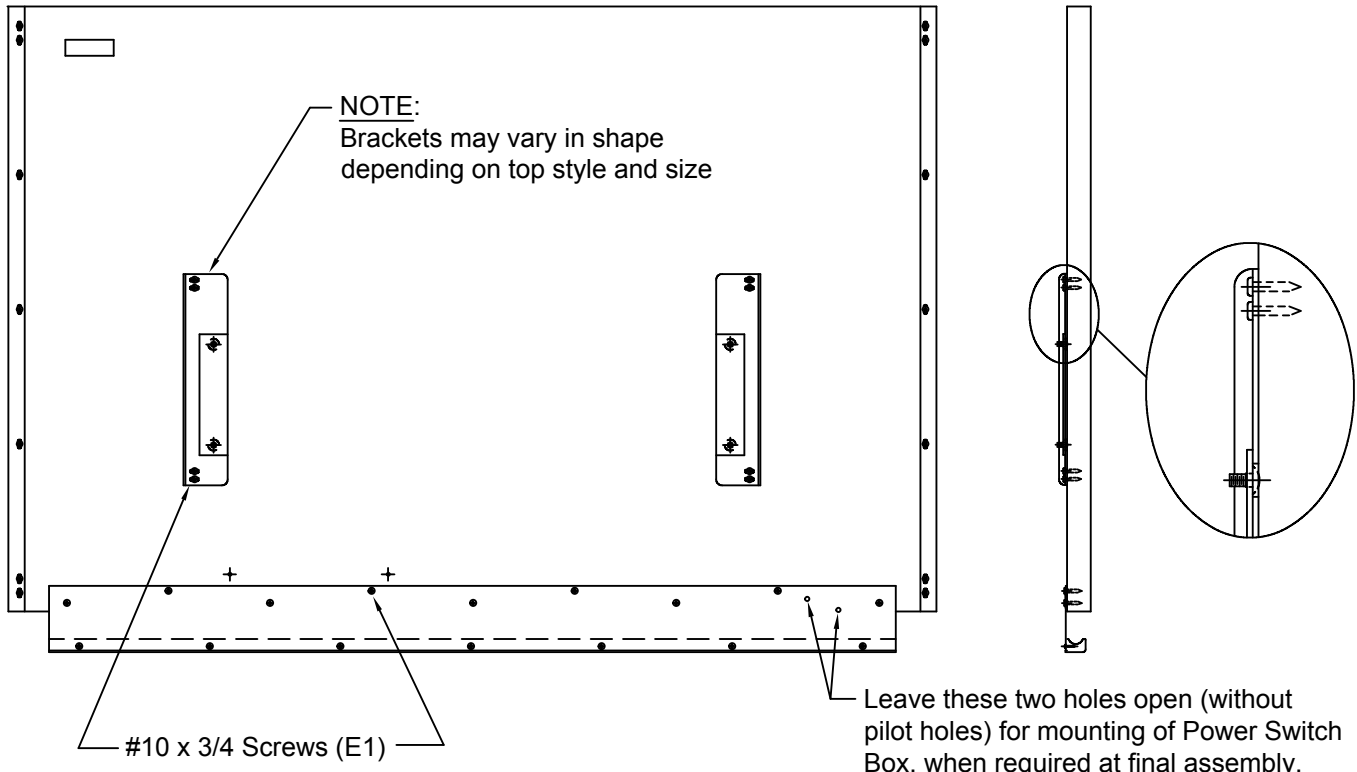
ATTACHING the BOARD BRACKETS to WORK SURFACE (MANUAL TILT)



1. Assemble board Brackets as shown. Locate heads of Carriage Bolts in the large hole of the bracket.

2. Attach Board Bracket Assemblies to the underside of the Top. Align holes in Board Brackets with holes in Top and secure with #10 x 3/4 screws (E1).

3. Attach Pencil Trough to underside of the Top. Align the holes in Pencil Trough with holes in Top and secure with #10 x 3/4 Screws (E1).



ATTACHING the BOARD BRACKETS to
WORK SURFACE (POWER TILT)

1. Attach Board Brackets (as shown) to the underside of the Top. Align holes in Board Brackets with holes in Top and secure with #10 x 3/4 Screws (E1).

2. Attach Pencil Trough to underside of the Top. Align holes in Pencil Trough with holes in Top and secure with #10 x 3/4 Screws (E1).

