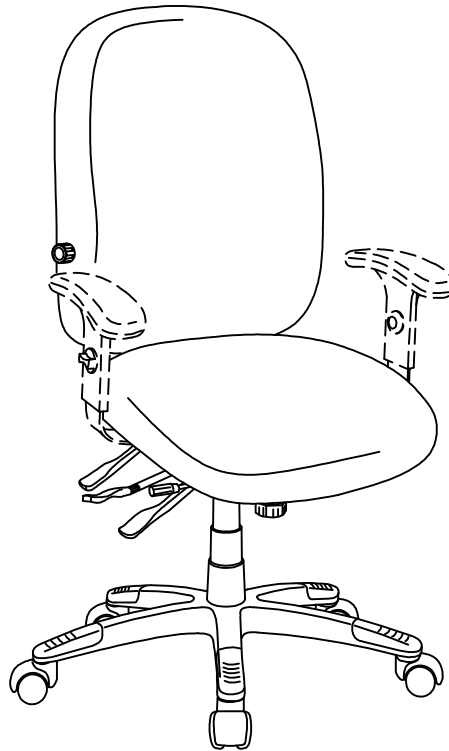


ASSEMBLY INSTRUCTIONS  
COMFORT SERIES  
24-HOUR HIGH PERFORMANCE CHAIR (FABRIC)  
MODEL NO. 2424AG



Shown with Optional Arms

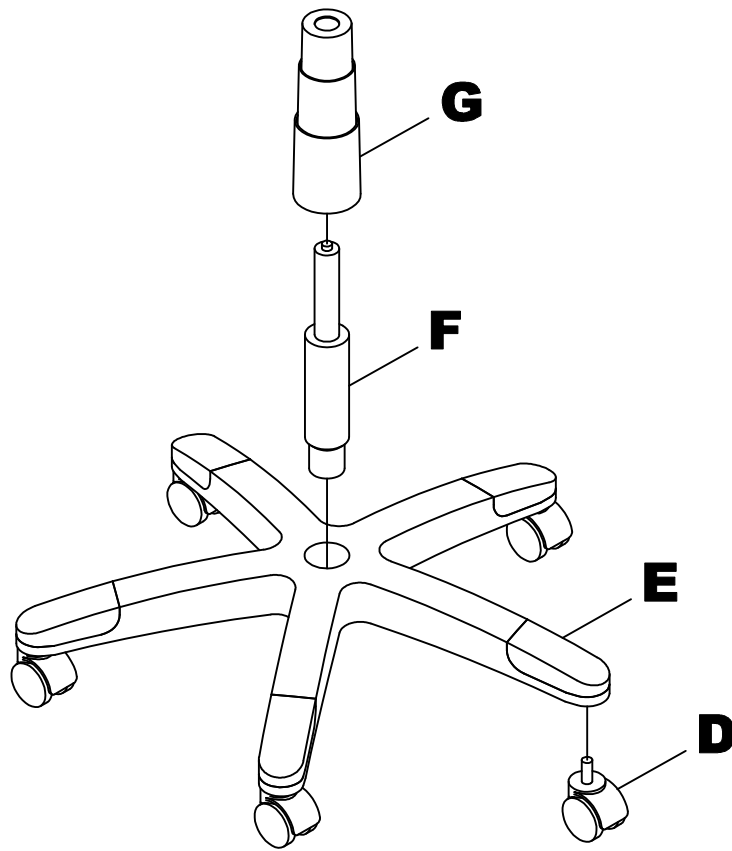
**IMPORTANT!**

**Review ALL instructions before beginning assembly.** These instructions are provided to avoid problems that may occur from improper assembly or installation. Mayline and/or its distributor are not responsible for failure resulting from improper assembly or installation of this product. Moreover, all warranties are void for failure to follow these assembly instructions.

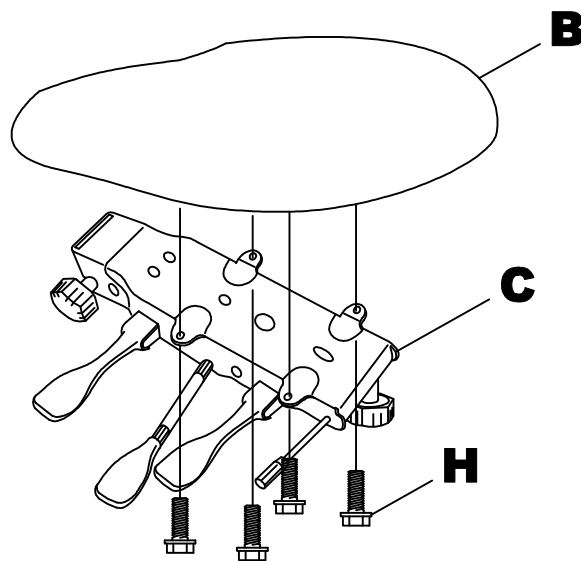
**MAYLINE®**

Mayline Company, LLC  
619 N. Commerce, P.O. Box 728  
Sheboygan, WI 53082-0728  
Toll Free: 1-800-822-8037  
FAX: 920-457-7388  
On Line: [www.mayline.com](http://www.mayline.com)

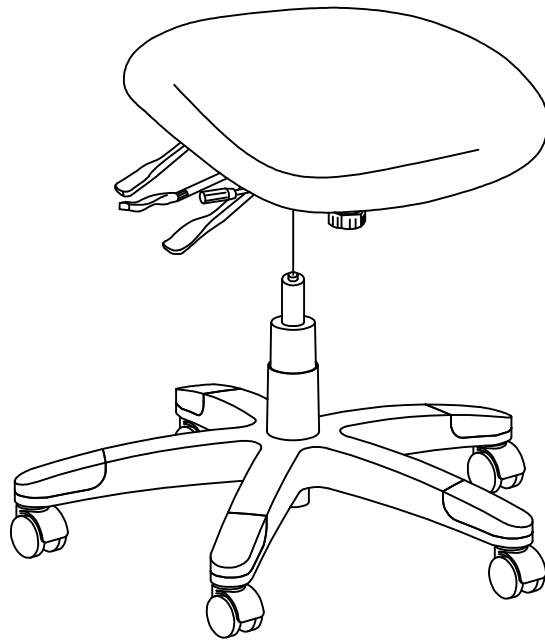




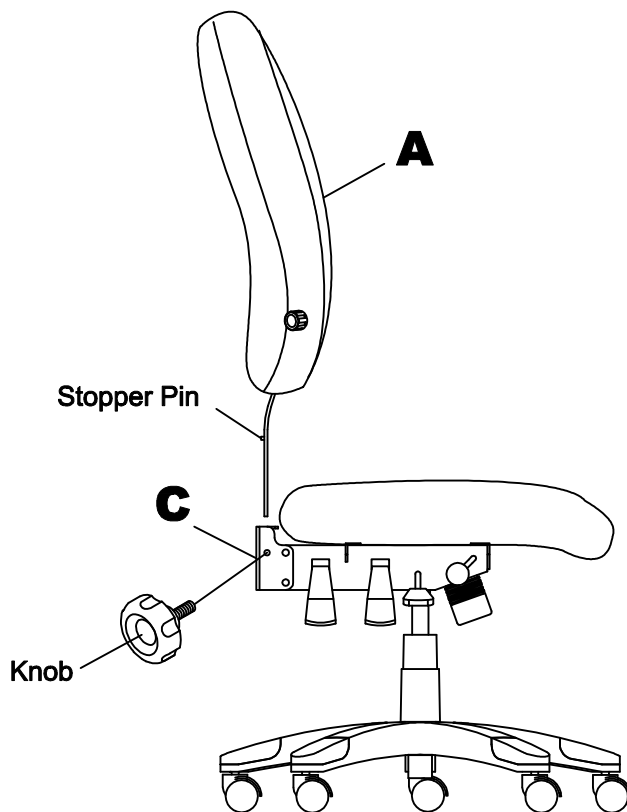
1. Place Base (E) upside down and push Casters (D) firmly into base. 5 places.
2. Turn Base right side up and insert Cylinder (F) into center hole of Base.
3. Place Cylinder Cover (G) over Cylinder.



4. Assemble Mechanism (C) onto Seat (B) using Screws (H) 4 places.



5. Carefully place seat assembly onto base assembly.



6. Insert Back (A) into Mechanism (C) until Stopper Pin hits mechanism. May have to loosen Knob.

7. Adjust Back to desired height and tighten Knob.

# OPERATING INSTRUCTIONS FOR MULTI-FUNCTION MECHANISM

## 1. Back Height Control Knob.

To raise the back, loosen knob and lift back upward,  
Tighten knob.

## 2. Back Posture Adjustment

To adjust angle of the back, pull paddle up.  
Adjust back, push knob down to lock.

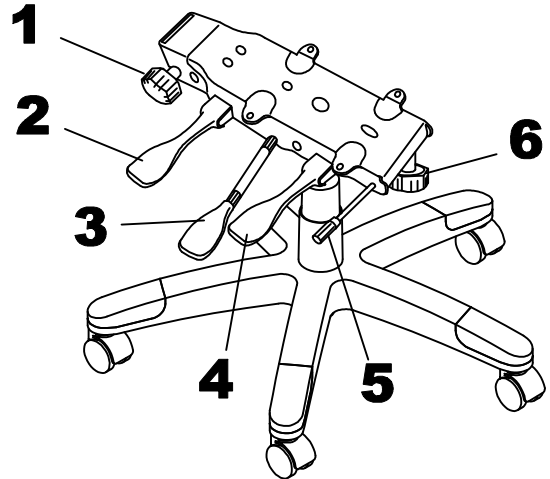
## 3. Seat Height Adjustment.

To raise the seat, pull lever upward and raise  
your body up slightly to allow the chair to rise to  
the desired height.

To lower the seat, pull lever upward and apply  
weight downward on the seat.

## 4. Seat Posture Adjustment

To adjust angle of the seat, pull paddle up.  
Adjust seat, push knob down to lock.



Note: To operate items 5 & 6, Item 3 must be unlocked (up position).

## 5. Seat Angle.

To lock chair in upright position, lean backward and  
push knob toward chair.

To unlock chair in upright position, lean backward and  
pull away from chair.

## 6. Tilt Tension Control Knob.

Turn knob clockwise to increase tilt tension.

Turn knob counter-clockwise to decrease tilt tension.

