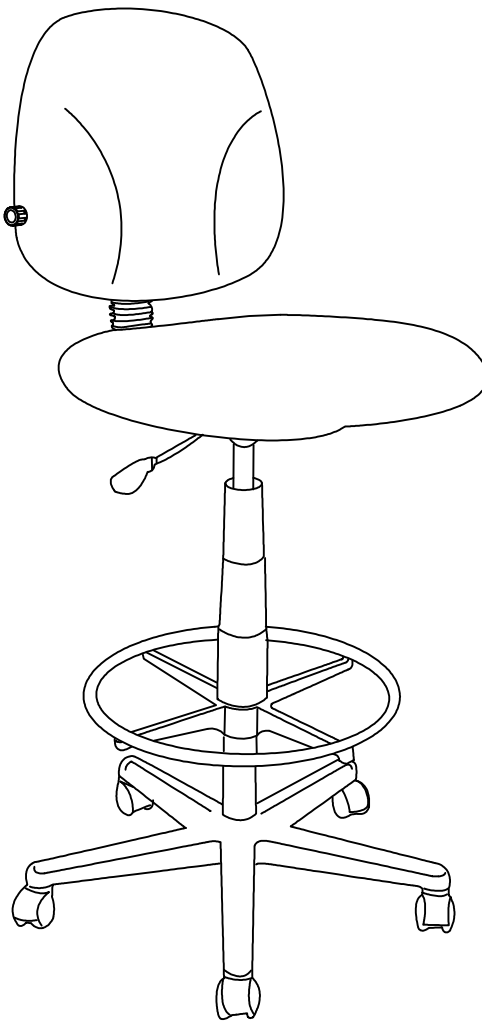


ASSEMBLY INSTRUCTIONS
COMFORT/TECHNICAL CHAIR
SWIVEL TASK STOOL
MODEL NO. 4005AG



IMPORTANT!

Review ALL instructions before beginning assembly. These instructions are provided to avoid problems that may occur from improper assembly or installation. Mayline and/or its distributor are not responsible for failure resulting from improper assembly or installation of this product. Moreover, all warranties are void for failure to follow these assembly instructions.

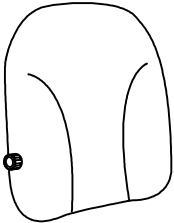
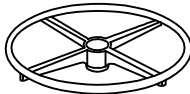
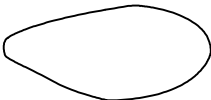
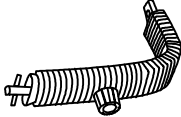
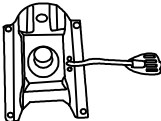


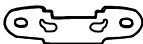





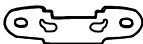





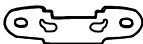



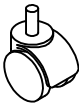
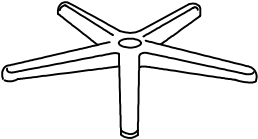

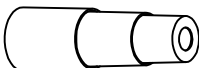


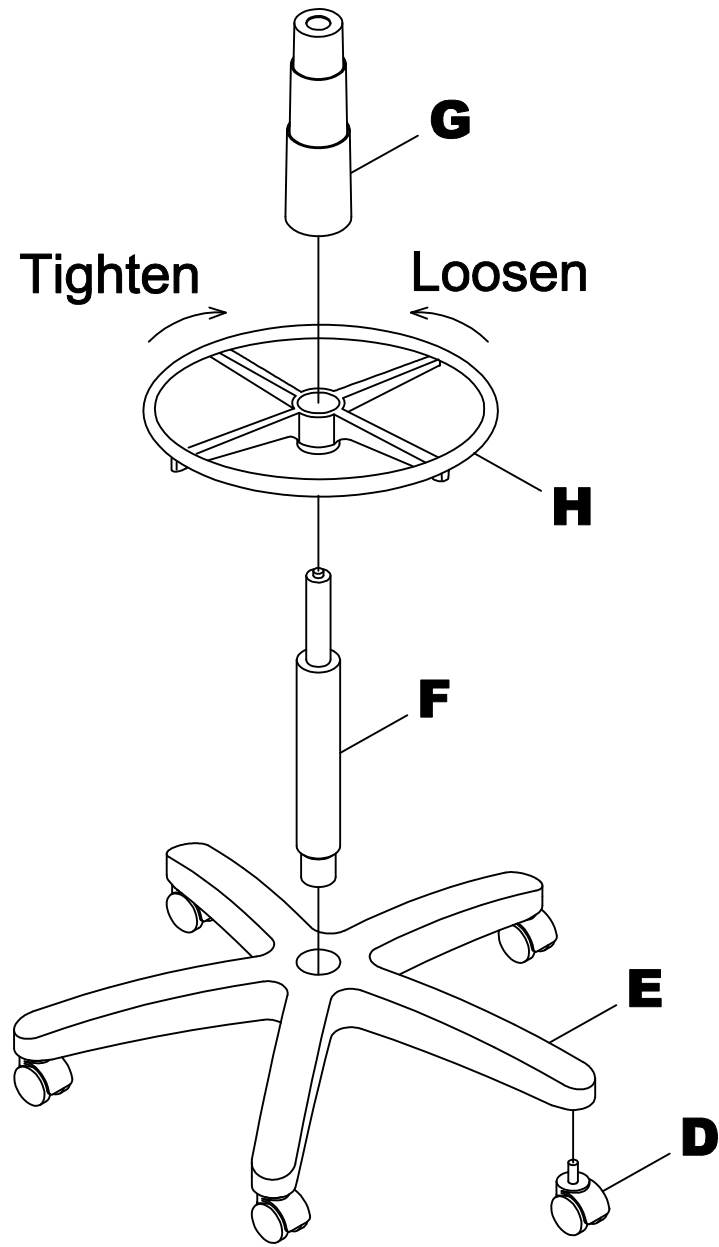
Mayline Company, LLC
619 N. Commerce, P.O. Box 728
Sheboygan, WI 53082-0728
Toll Free: 1-800-822-8037
FAX: 920-457-7388
On Line: www.mayline.com

PARTS LIST 4005AG

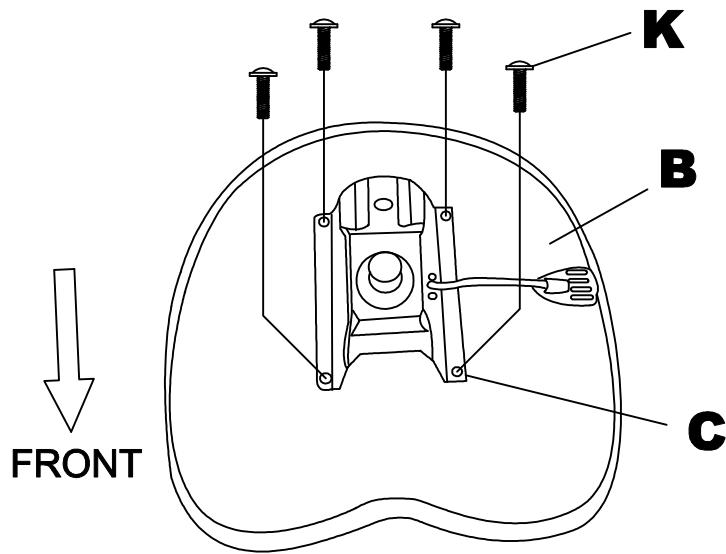
When ordering components, specific color and/or size information may be required.
Contact a Mayline Customer Service Representative. 1-800-822-8037

* Individual Items, Order by part number. ** Denotes Color Code

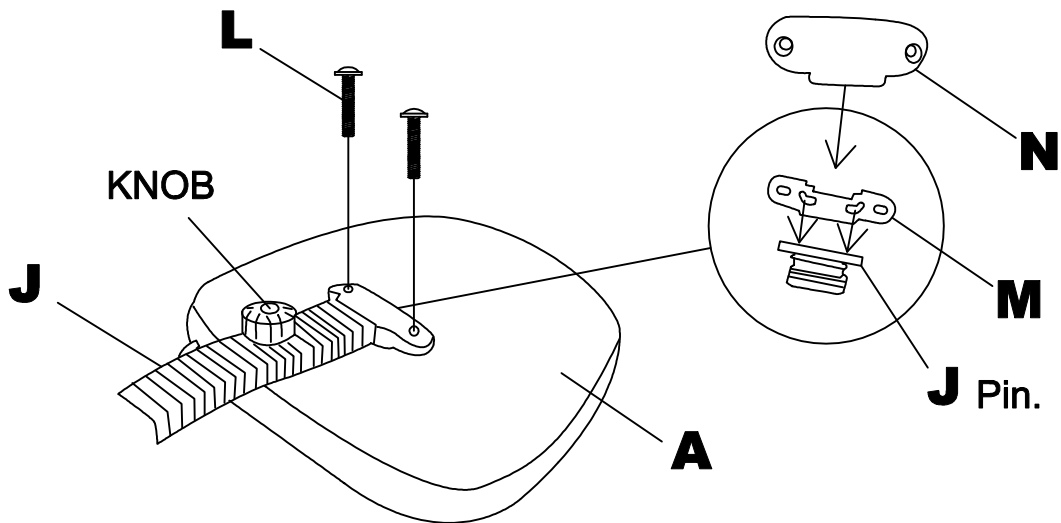
| <p>Reference Letter A*</p>  <p>Part Number CM494** Back</p> | 1 | <p>Reference Letter H*</p>  <p>Part Number CM460 Foot Ring</p> | 1 | | | | | | | | | | | | | | | | | | | | | |
|---|----------|---|----------|------------------|----------|-------|--|----------|----------|--|----------|----------|--|----------|--|--|----------|--|--|----------|--|--|----------|--|
| <p>Reference Letter B*</p>  <p>Part Number CM495** Seat</p> | 1 | <p>Reference Letter J*</p>  <p>Part Number CM461 Back Post & Bellows</p> | 1 | | | | | | | | | | | | | | | | | | | | | |
| <p>Reference Letter C*</p>  <p>Part Number CM422 Mechanism</p> | 1 | <p>Part Number CM454 * Hardware Pack</p> <table border="1" style="width: 100%; border-collapse: collapse;"> <thead> <tr> <th style="width: 60%;">Reference Letter</th> <th style="width: 15%;">Quantity</th> <th style="width: 15%;">Spare</th> </tr> </thead> <tbody> <tr> <td style="vertical-align: top;"> <p>K</p>  <p>Screw M6 x 22mm</p> </td> <td style="text-align: center; vertical-align: middle;">4</td> <td style="text-align: center; vertical-align: middle;">1</td> </tr> <tr> <td style="vertical-align: top;"> <p>L</p>  <p>Screw M6 x 32mm</p> </td> <td style="text-align: center; vertical-align: middle;">2</td> <td style="text-align: center; vertical-align: middle;">1</td> </tr> <tr> <td style="vertical-align: top;"> <p>M</p>  <p>Part Number CM462 Back Bracket (metal)</p> </td> <td style="text-align: center; vertical-align: middle;">1</td> <td></td> </tr> <tr> <td style="vertical-align: top;"> <p>N</p>  <p>Part Number CM463 Back Bracket (plastic)</p> </td> <td style="text-align: center; vertical-align: middle;">1</td> <td></td> </tr> <tr> <td style="vertical-align: top;"> <p>P</p>  <p>Knob of Mechanism</p> </td> <td style="text-align: center; vertical-align: middle;">1</td> <td></td> </tr> <tr> <td style="vertical-align: top;"> <p>R</p>  <p>Allen Wrench</p> </td> <td style="text-align: center; vertical-align: middle;">1</td> <td></td> </tr> </tbody> </table> | | Reference Letter | Quantity | Spare | <p>K</p>  <p>Screw M6 x 22mm</p> | 4 | 1 | <p>L</p>  <p>Screw M6 x 32mm</p> | 2 | 1 | <p>M</p>  <p>Part Number CM462 Back Bracket (metal)</p> | 1 | | <p>N</p>  <p>Part Number CM463 Back Bracket (plastic)</p> | 1 | | <p>P</p>  <p>Knob of Mechanism</p> | 1 | | <p>R</p>  <p>Allen Wrench</p> | 1 | |
| Reference Letter | Quantity | Spare | | | | | | | | | | | | | | | | | | | | | | |
| <p>K</p>  <p>Screw M6 x 22mm</p> | 4 | 1 | | | | | | | | | | | | | | | | | | | | | | |
| <p>L</p>  <p>Screw M6 x 32mm</p> | 2 | 1 | | | | | | | | | | | | | | | | | | | | | | |
| <p>M</p>  <p>Part Number CM462 Back Bracket (metal)</p> | 1 | | | | | | | | | | | | | | | | | | | | | | | |
| <p>N</p>  <p>Part Number CM463 Back Bracket (plastic)</p> | 1 | | | | | | | | | | | | | | | | | | | | | | | |
| <p>P</p>  <p>Knob of Mechanism</p> | 1 | | | | | | | | | | | | | | | | | | | | | | | |
| <p>R</p>  <p>Allen Wrench</p> | 1 | | | | | | | | | | | | | | | | | | | | | | | |
| <p>Reference Letter D*</p>  <p>Part Number CM210 Caster (5 per pack)</p> | 5 | | | | | | | | | | | | | | | | | | | | | | | |
| <p>Reference Letter E*</p>  <p>Part Number CM440 Base</p> | 1 | | | | | | | | | | | | | | | | | | | | | | | |
| <p>Reference Letter F*</p>  <p>Part Number CM432 Cylinder</p> | 1 | | | | | | | | | | | | | | | | | | | | | | | |
| <p>Reference Letter G*</p>  <p>Part Number CM438 Cylinder Cover</p> | 1 | | | | | | | | | | | | | | | | | | | | | | | |



1. Place Base (E) upside down and push Casters (D) firmly into base. 5 places.
2. Turn Base right side up and insert Cylinder (F) into center hole of Base.
3. Place Foot Ring (H) over Cylinder. NOTE: Turn foot ring counter-clockwise to loosen. Place to desired height and turn clockwise to tighten.
4. Place Cylinder Cover (G) over Cylinder.



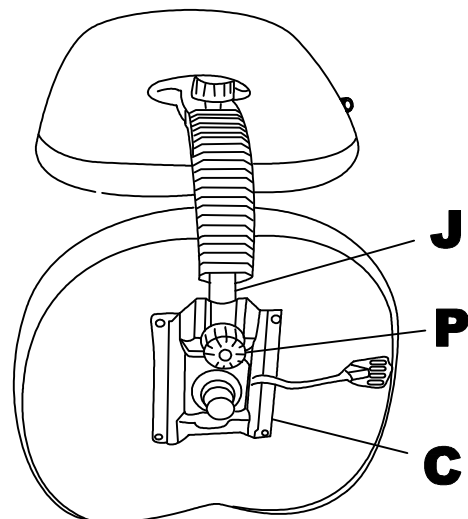
5. Assemble Mechanism (C) to Seat (B) using Screws (K) 4 places.



6. Assemble Pin of Back Post (J) into slots of Back Bracket (Metal) (M).

7. Assemble Back Post & Bellows (J) to Back (A) using Back Brackets (M & N) and attach using Screws (L) 2 places.

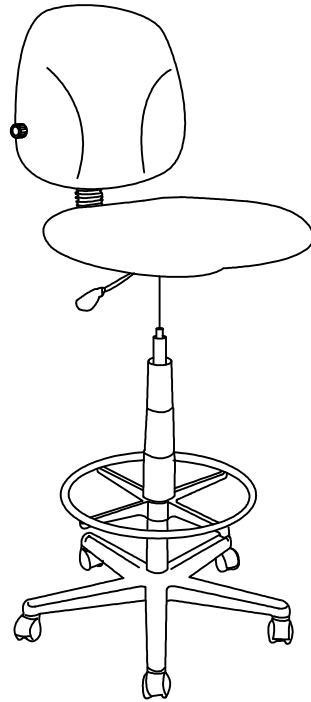
8. Assemble Back Assembly to Seat Assembly by sliding the Back Post (J) into Mechanism (C). Position to desired depth and tighten Knob (P).



9. Carefully place seat assembly onto base assembly.

NOTE:

Periodically (Every 90 days) make sure all screws are fully tightened.



OPERATING INSTRUCTIONS FOR MECHANISM & CHAIR FEATURES

1. Seat Height Adjustment.

To raise the seat, pull lever upward and raise your body up slightly to allow the chair to rise to the desired height.

To lower the seat, pull lever upward and apply weight downward on the seat.

2. Back Height Adjustment.

To adjust the back, loosen knob(counter-clockwise), Lift to the desired height and tighten knob (clockwise).

3. Seat Depth Adjustment.

To adjust the seat, loosen knob (counter-clockwise), Position to the desired depth and tighten knob (clockwise).

4. Foot Ring Adjustment.

To adjust the foot ring, loosen foot ring (counter-clockwise), Position to the desired height and tighten foot ring (clockwise).

