

ASSEMBLY INSTRUCTIONS  
COMFORT SERIES  
CONTOURED SUPPORT CHAIR (FABRIC)  
MODEL NO. 4019AG



**IMPORTANT!**

**Review ALL instructions before beginning assembly.** These instructions are provided to avoid problems that may occur from improper assembly or installation. Mayline and/or its distributor are not responsible for failure resulting from improper assembly or installation of this product. Moreover, all warranties are void for failure to follow these assembly instructions.



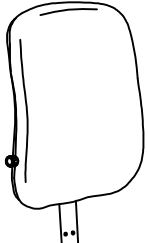

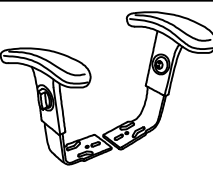
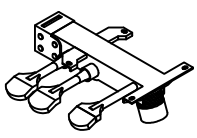
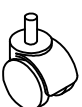
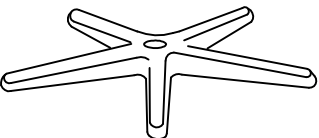
Mayline Company, LLC  
619 N. Commerce, P.O. Box 728  
Sheboygan, WI 53082-0728  
Toll Free: 1-800-822-8037  
FAX: 920-457-7388  
On Line: [www.mayline.com](http://www.mayline.com)

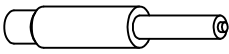
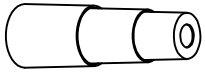
# PARTS LIST 4019AG

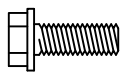


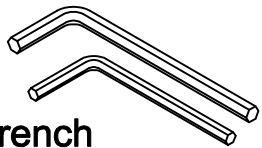
When ordering components, specific color and/or size information may be required.  
Contact a Mayline Customer Service Representative. 1-800-822-8037

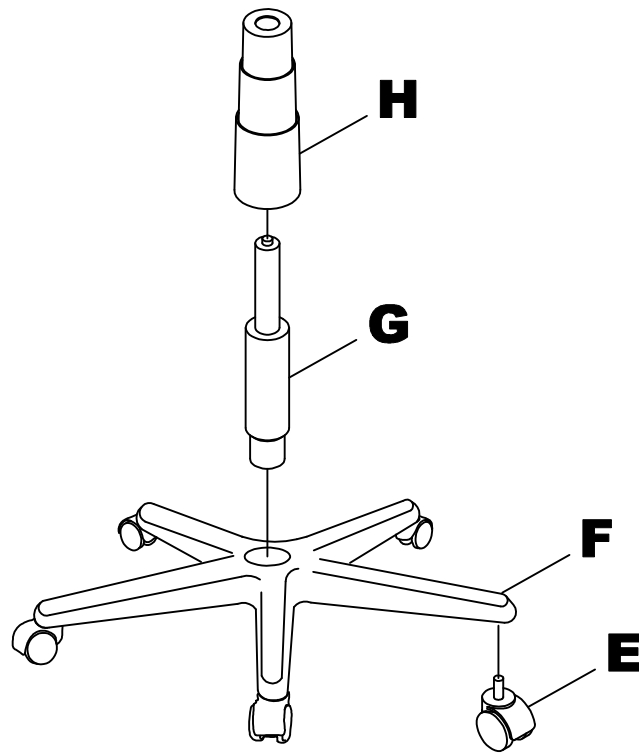
\* Individual Items, Order by part number.

\*\* Denotes Color Code

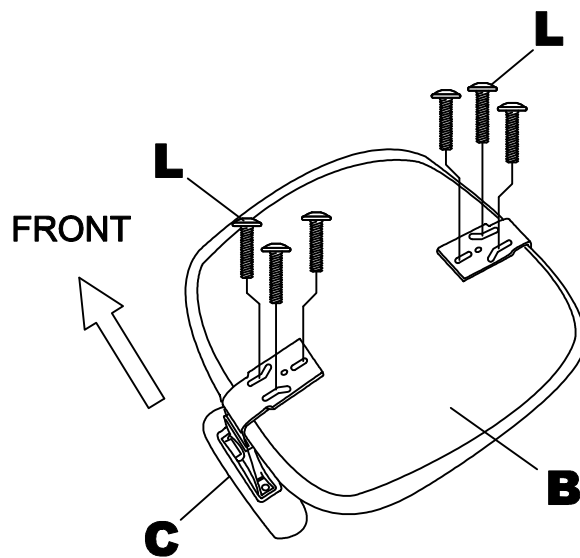
Reference Letter <b>A*</b>   Part Number <b>CM492 Back</b>	<b>1</b>	<b>1</b>
Reference Letter <b>B*</b>   Part Number <b>CM493 Seat</b>	<b>1</b>	
Reference Letter <b>C*</b>   Part Number <b>12ADJARM Arms (Pair)</b>	<b>1</b>	
Reference Letter <b>D*</b>   Part Number <b>CM421 Mechanism</b>	<b>1</b>	
Reference Letter <b>E*</b>   Part Number <b>CM210 Caster (5 pack)</b>	<b>5</b>	
Reference Letter <b>F*</b>   Part Number <b>CM440 Base</b>	<b>1</b>	

Reference Letter <b>G*</b>   Part Number <b>CM479 Cylinder</b>	<b>1</b>	
Reference Letter <b>H*</b>   Part Number <b>CM350 Cylinder Cover</b>	<b>1</b>	

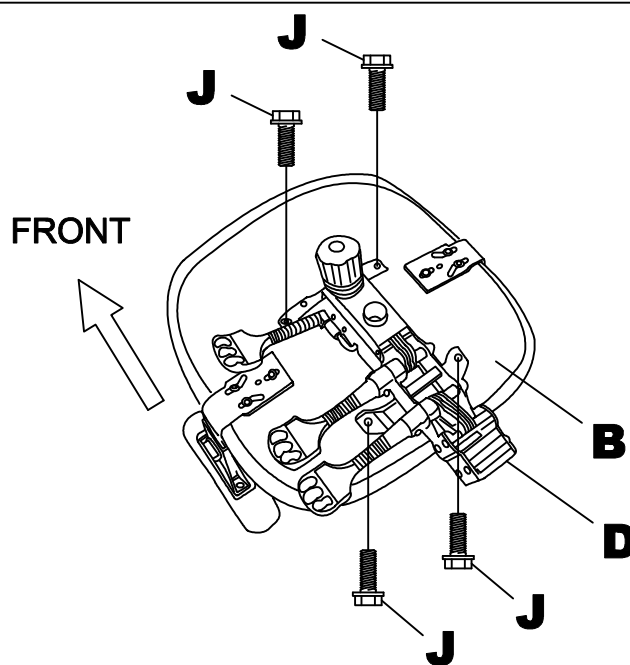
Part Number <b>CM453 * Hardware Pack</b>			
Reference Letter <b>J</b>   Screw M8 x 22mm	<b>4</b>	<b>1</b>	
Reference Letter <b>K</b>   Screw M8 x 32mm	<b>2</b>	<b>1</b>	
Reference Letter <b>L</b>   Screw 1/4"-20 x 1-1/16"	<b>6</b>	<b>1</b>	
Reference Letter <b>M</b>   Allen Wrench	<b>2</b>		



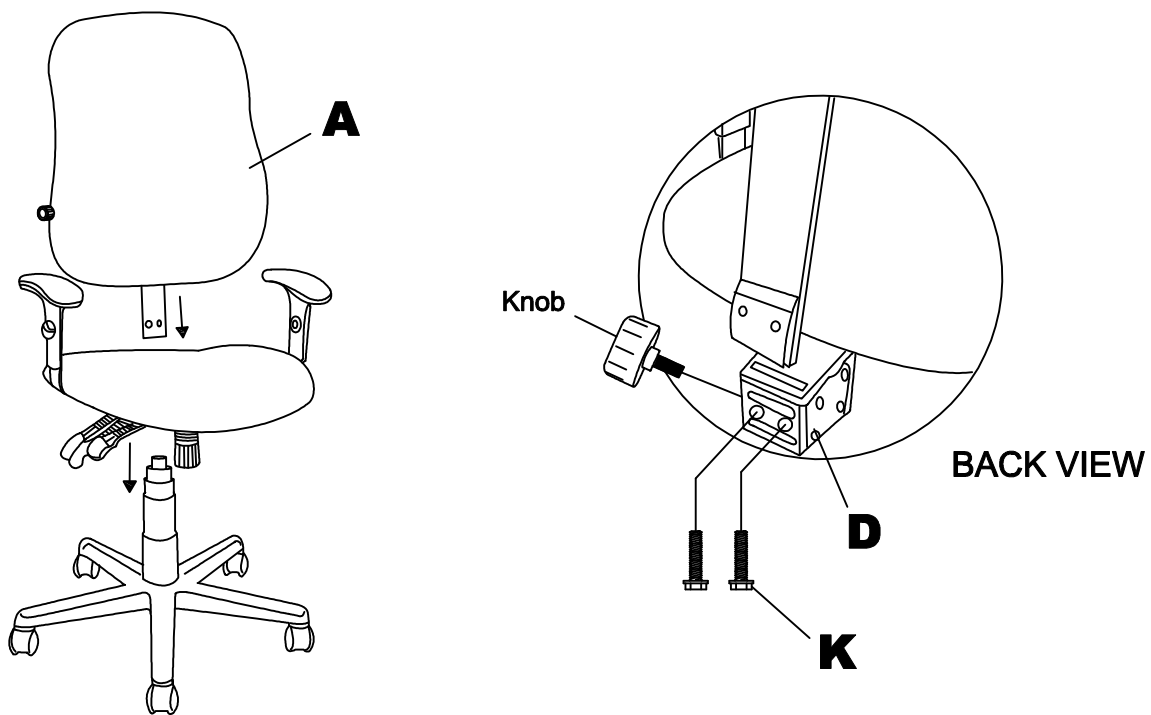
1. Place Base (F) upside down and push Casters (E) firmly into base. 5 places.
2. Turn Base right side up and insert Cylinder (G) into center hole of Base.
3. Place Cylinder Cover (H) over Cylinder.



4. Assemble Arms (C) 2 places onto Seat (B) using Screws (L) 6 places.



5. Assemble Mechanism (D) to Seat (B) using Screws (J) 4 places.



6. Carefully place seat assembly onto base assembly.

7. Assemble Back (A) to Mechanism (D) using Screws (K) 2 places. May have to loosen Knob.

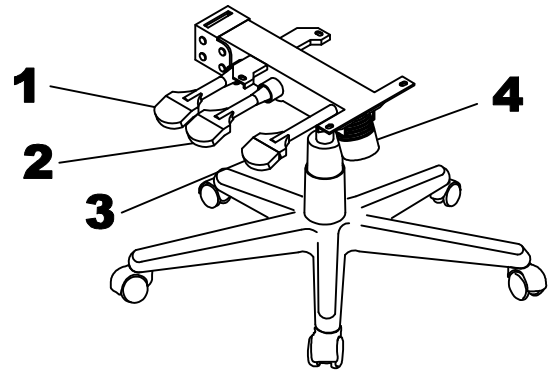
**NOTE:**

Periodically (Every 90 days) make sure all screws are fully tightened.

## OPERATING INSTRUCTIONS FOR MULTI-FUNCTION MECHANISM & CHAIR FEATURES.

### 1. Back Posture Adjustment

To adjust angle of the back, pull paddle up.  
Adjust back, push knob down to lock.



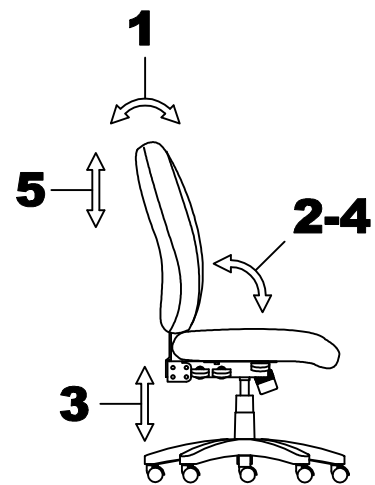
### 2. Seat Posture Adjustment

To adjust angle of the seat, pull paddle up.  
Adjust seat, push knob down to lock.

### 3. Seat Height Adjustment.

To raise the seat, pull lever upward and raise  
your body up slightly to allow the chair to rise to  
the desired height.

To lower the seat, pull lever upward and apply  
weight downward on the seat.



### 4. Tilt Tension Control Knob.

Turn knob clockwise to increase tilt tension.

Turn knob counter-clockwise to decrease tilt tension.

### 5. Ratcheting Back Height Adjustment.

To raise the back, Lift up to the desired height.

To lower the back, Lift up to the upmost position and  
lower to starting position. Lift up to the desired height.