

# ASSEMBLY INSTRUCTIONS












## LT BASE - MODEL 6049

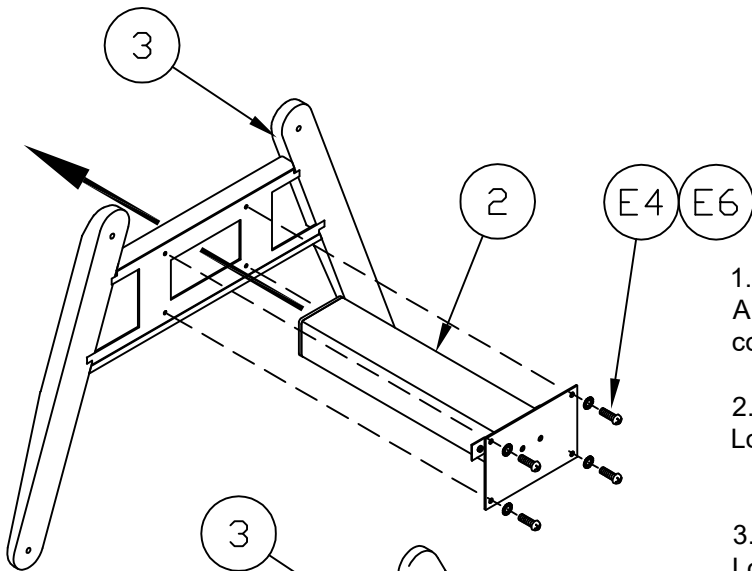
**NOTE:** Please count and inspect all pieces before disposing of any carton or packing materials.

**COMPONENTS:** When ordering components, specific size information may be required. Contact a Mayline Customer Service Representative. 1-800-822-8037

REF. #	QTY.	DESCRIPTION	PART No.
1	1	ACTUATOR ASSEMBLY	Z494
2	1	COLUMN BRACE ASSEMBLY	A7811
3	1	ANGLED BASE ASSEMBLY	A7810
4	1	CONTROL BOX, 2 LEG	Z537
5	1	MAIN CABLE	Z467
6	1	PLATE, TOP MOUNTING	B9701

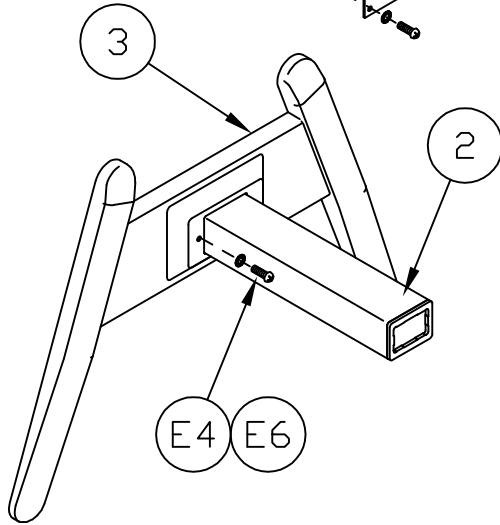
**HARDWARE BAG (PART No. A7815) \*For individual item, order by part number**

REF. #	QTY.	DESCRIPTION	PART No.	
E1	1	3/8" CABLE CLAMP	F189	
E2	1	1/8" CABLE CLAMP	F690	
E3	4	GLIDE	Q607	
E4	8	LOCK WASHER	W77	
E5	15	#10 x 3/4 PARTICLE BD. SCREW	X11	
E6	8	M8 x 16mm CAP SCREW	X432	
E7	2	#8 x 3/4 PARTICLE BD. SCREW	X5105	
E8	1	DPA SWITCH	Z458	
E9	2	#8 x 1 3/4" SCREW	X533	
E10	6	1/4-20x5/8 PPHMS SCREW	X5112	
E11	6	1/4-20 NUT, K-LOCK	T14	



1. Insert Column Brace Assembly (2) through bottom of Angled Base Assembly (3). Align the holes in the column assembly plate with the holes in the Base.

2. Install four M8 x 16 mm Cap Screws (E6) and four Lock Washers (E4). **DO NOT TIGHTEN** at this time



3. Install two M8 x 16mm Cap Screws (E6) and two Lock Washers (E4) on either side of Column through the top of the Base. Tighten all screws, top and bottom, at this time.

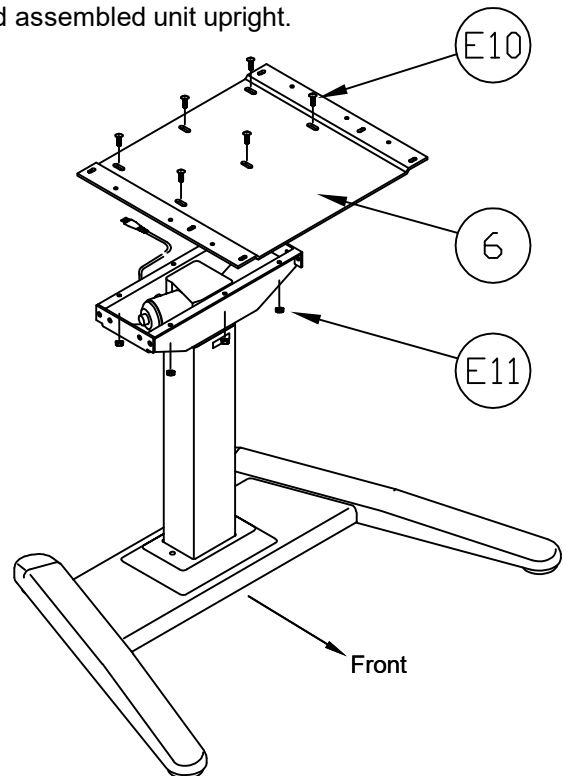
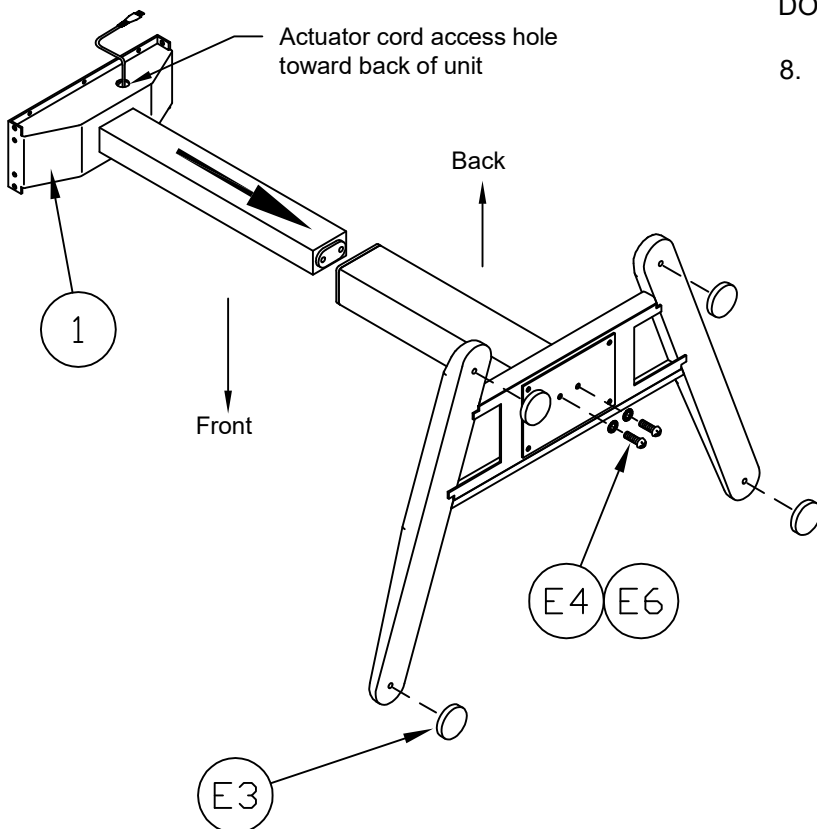
4. Slide Actuator Assembly (1) into assembled base. Position the cord access hole toward the back of the assembly.

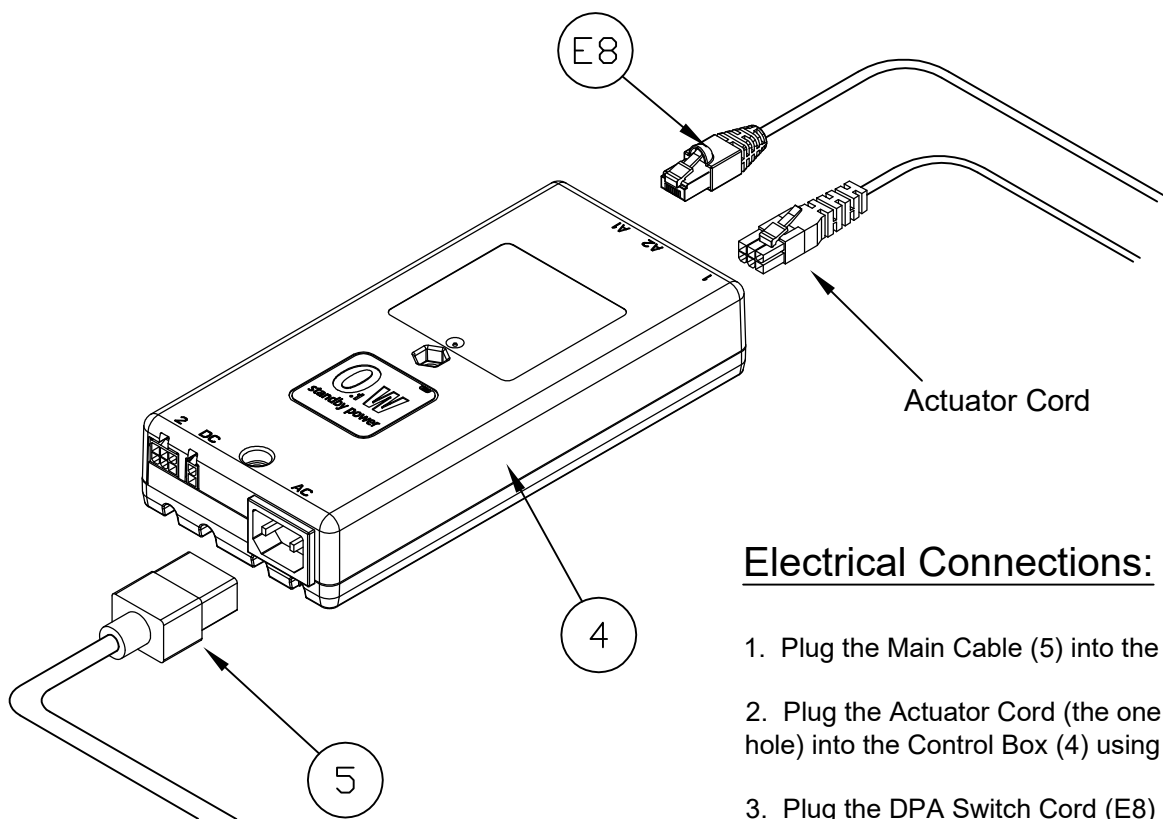
5. Secure Actuator Assembly (1) to the bottom of the Base (3) using two M8 x 16mm Cap Screws (E6) and two Lock Washers (E4). Tighten Screws securely.

6. Install Glides (E3) into the Base.

7. Install Mounting Plate (6) to Base using six 1/4-20x5/8 Screws (E10) and six 1/4-20 Nuts (E11). NOTE: Plate MUST face toward front of Base. DO NOT pinch Actuator Cord under Plate.

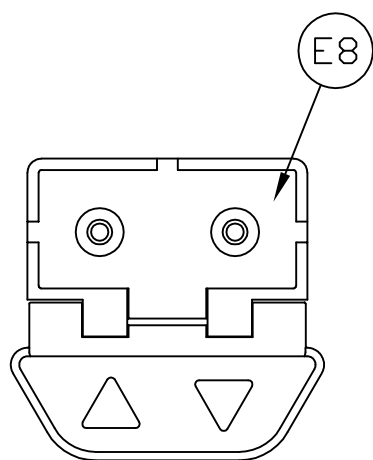
8. Stand assembled unit upright.





### Electrical Connections:

1. Plug the Main Cable (5) into the Control Box (4).
2. Plug the Actuator Cord (the one exiting the access hole) into the Control Box (4) using **Position #1** .
3. Plug the DPA Switch Cord (E8) into the **"A1"** Jack Connection on the Control Box (4).



### INITIALIZATION of the system:

1. Your table is equipped with soft start / stop drive Actuator system. To properly function your unit must be initialized at set up. Check that all cord connections are completely installed into appropriate connection in Control Box. Plug Main Cable into power supply. Press down ▽ button and hold for 10 to 15 seconds. Note: Column may move up or down slightly while holding 'DN' ▽ button while system sets correct starting point.
2. Press 'UP' ▲ button or 'DN' ▽ button to obtain desired height.