

ASSEMBLY INSTRUCTIONS
COMFORT SERIES
EXECUTIVE HIGH-BACK CHAIR (FABRIC)
MODEL NO. 9413AG



IMPORTANT!

Review ALL instructions before beginning assembly. These instructions are provided to avoid problems that may occur from improper assembly or installation. Mayline and/or its distributor are not responsible for failure resulting from improper assembly or installation of this product. Moreover, all warranties are void for failure to follow these assembly instructions.

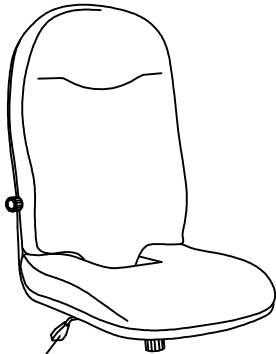

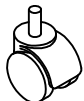
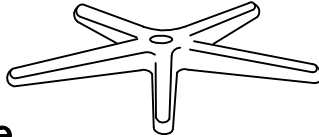


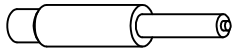
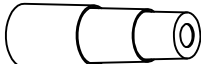
*Mayline Company, LLC
619 N. Commerce, P.O. Box 728
Sheboygan, WI 53082-0728
Toll Free: 1-800-822-8037
FAX: 920-457-7388
On Line: www.mayline.com*


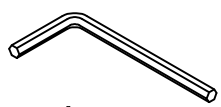
PARTS LIST 9413AG

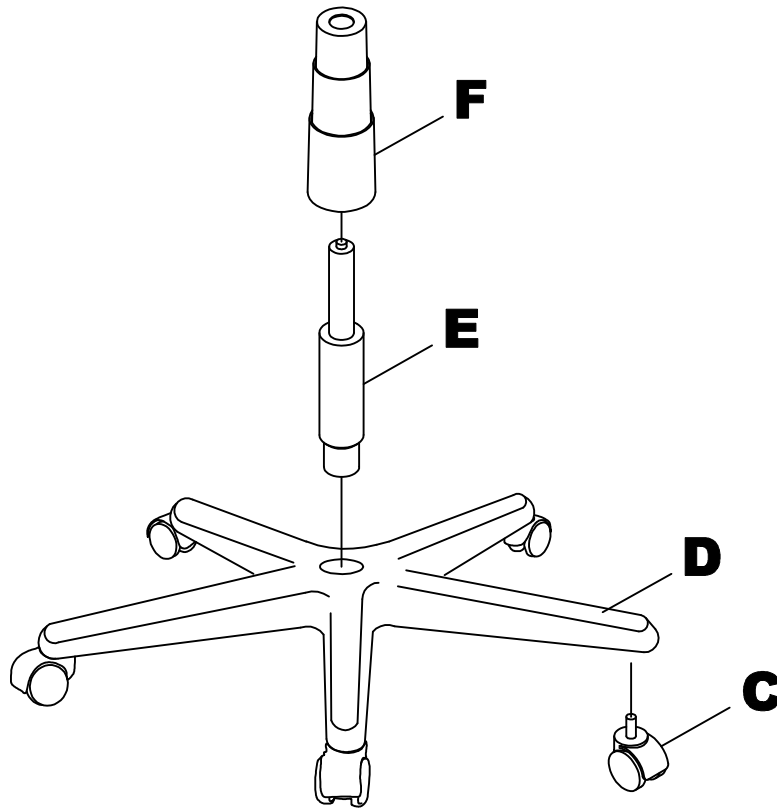
When ordering components, specific color and/or size information may be required.
Contact a Mayline Customer Service Representative. 1-800-822-8037

* Individual Items, Order by part number.
** Denotes Color Code

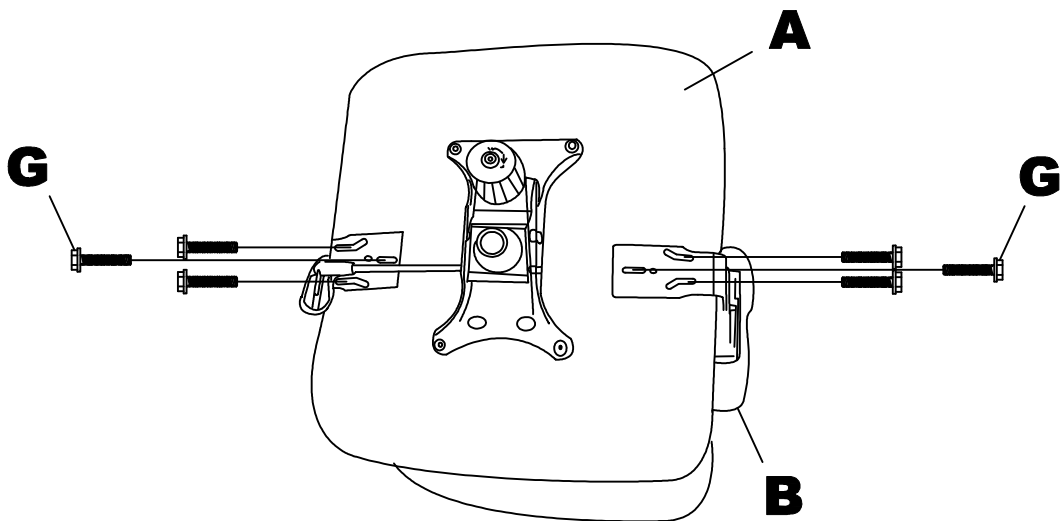
Reference Letter A*  CM162* Mechanism Part Number CM408** Back/Seat	Quantity 1
Reference Letter B*  Part Number 12ADJARM Arms (pair)	1
Reference Letter C*  Part Number CM210 Caster (5 pack)	5
Reference Letter D*  Part Number CM440 Base	1

Reference Letter E*  Part Number CM478 Cylinder	Quantity 1
Reference Letter F*  Part Number CM350 Cylinder Cover	1

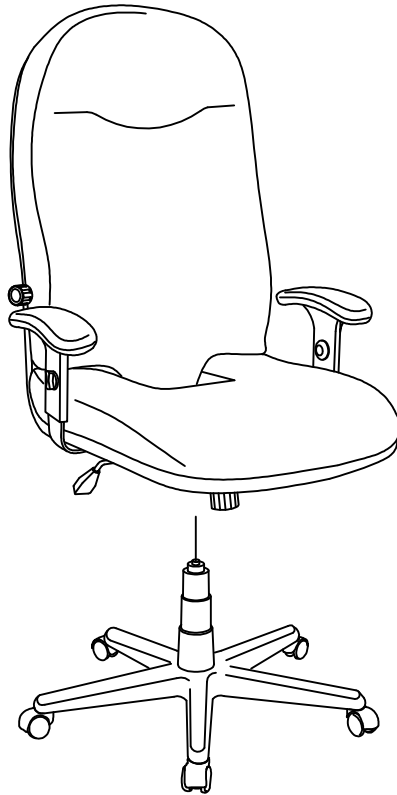
Part Number CM450* Hardware Pack		
Reference Letter G  Screw 1/4"-20 x 1-1/16"	Quantity 6	Spare 1
Reference Letter H  Allen Wrench	1	



1. Place Base (D) upside down and push Casters (C) firmly into base. 5 places.
2. Turn Base right side up and insert Cylinder (E) into center hole of Base.
3. Place Cylinder Cover (F) over Cylinder.



4. Assemble Arms (B) 2 places onto Back/Seat (A) using Screws (G) 6 places.



5. Carefully place chair assembly onto base assembly.

NOTE:

Periodically (Every 90 days) make sure screws are fully tightened.

OPERATING INSTRUCTIONS FOR CENTER PIVOT MECHANISM

1. Seat Height Adjustment.

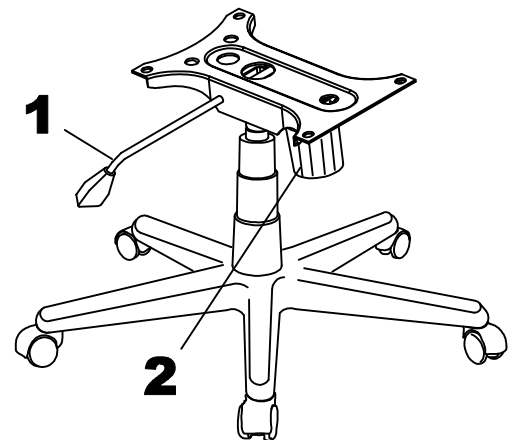
To raise the seat, rotate lever upward and raise your body up slightly to allow the chair to rise to the desired height.

To lower the seat, rotate lever upward and apply weight downward on the seat.

Seat Upright Lock.

To lock chair in upright position, lean forward and push knob toward chair.

To unlock chair in upright position, lean forward and pull away from chair.



2. Tilt Tension Control Knob.

Turn knob clockwise to increase tilt tension.

Turn knob counter-clockwise to decrease tilt tension.