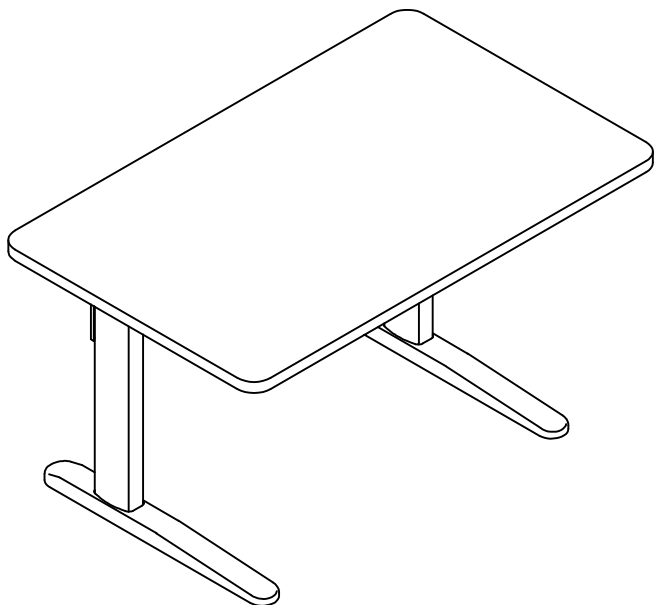


ASSEMBLY INSTRUCTIONS

for DUAL XR BASE with SINGLE TOP



NOTE: Hardware for attaching Top, Control Box, and Hand Control is included with the Base.

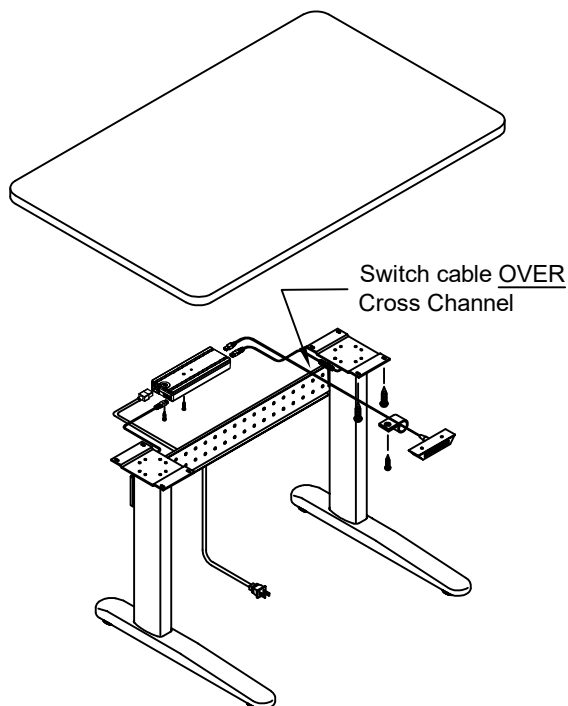
1. Align the holes in the Top with the holes in the Mounting Plates and secure in place with eight #10 x 3/4 Screws.

2. Align the holes in the Control Box with the holes in the underside of the Top and attach it with four #10 x 3/4 Screws.

3. Place the Switch in a comfortable and accessible location on the underside of the Top and attach it with two #6 x 5/8 Screws.

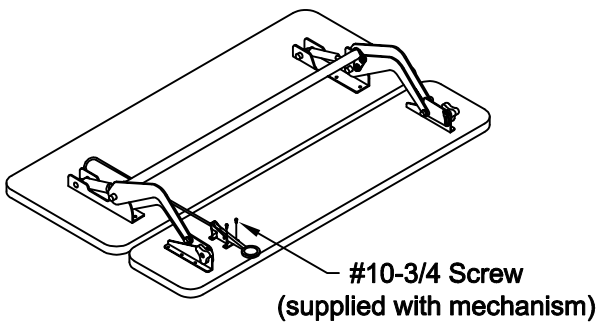
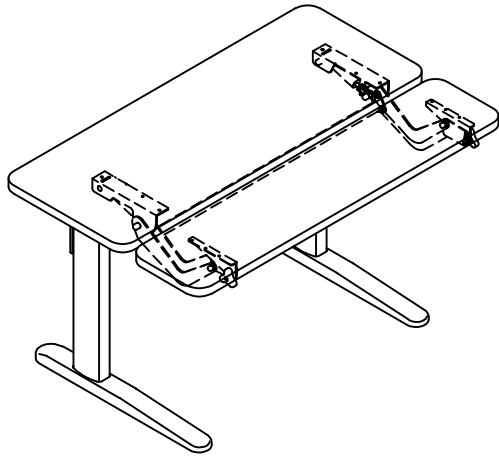
4. Route the column cables and the switch cable away from moving components and secure them in place with Cable Clamps and Screws.

NOTE: *When table has been moved into final location, level table to ensure proper performance.*

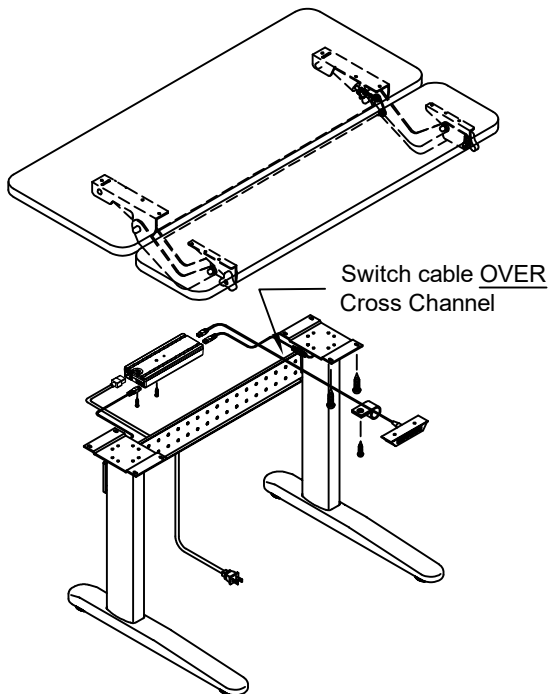


ASSEMBLY INSTRUCTIONS for DUAL XR BASE with DATACENTER TOP

NOTE: Hardware for attaching Top, Control Box, and Hand Control is included with the Base.



1. Place both Top and Keyboard face down onto a clean/protected surface.
2. Align the holes in the DataCenter with the holes in the Top and Keyboard. Secure the DataCenter with #10 x 3/4 Screws supplied with the mechanism.
3. Place the switch cord over the top of the base Cross Channel.
4. Align the holes in the Top with the holes in the Mounting Plates and secure in place with eight #10 x 3/4 Screws.



5. Choose a desired location for the Control Box and attach with two #8 x 1 3/4" Screws.
6. Place the Switch in a comfortable and accessible location on the underside of the Top and attach it with two #6 x 5/8 Screws. The switch MUST be attached toward the left side of the top.
7. Route the column cables and the switch cable away from moving components and secure them in place with Cable Clamps and Screws.

NOTE: *When table has been moved into final location, level table to ensure proper performance.*