**IMPORTANT**

Review ALL Instructions before beginning assembly. These instructions are provided to avoid problems that may occur from improper assembly or installation.

Mayline and/or its distributor are not responsible for failure resulting from improper assembly or installation of this product. Moreover, all warranties are void for failure to follow these assembly instructions.



619 N. Commerce, P.O. Box 728 Sheboygan, WI 53082-0728
www.mayline.com 800-822-7388 920-457-7388

1705

ASSEMBLY INSTRUCTION

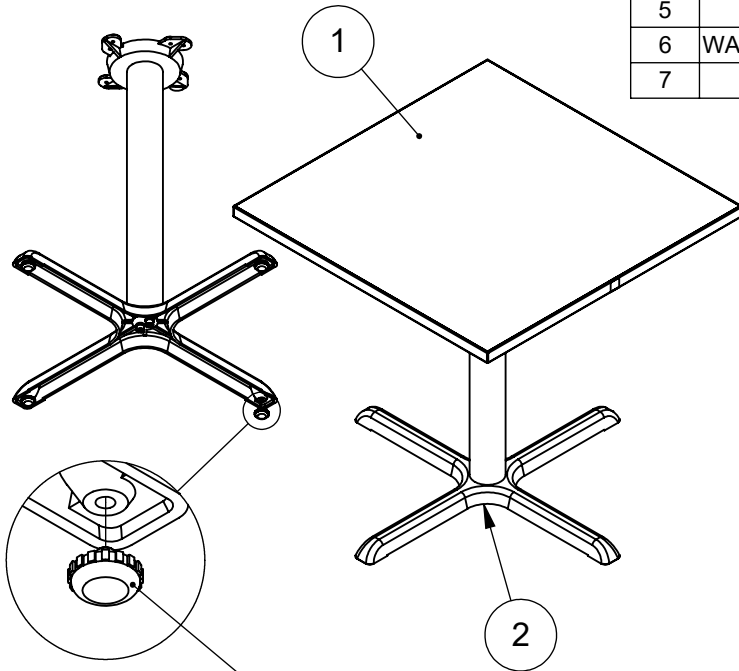
INSTRUCTION SHEET, BISTRO X-BASE

TABLE, MAIN ASSEMBLY

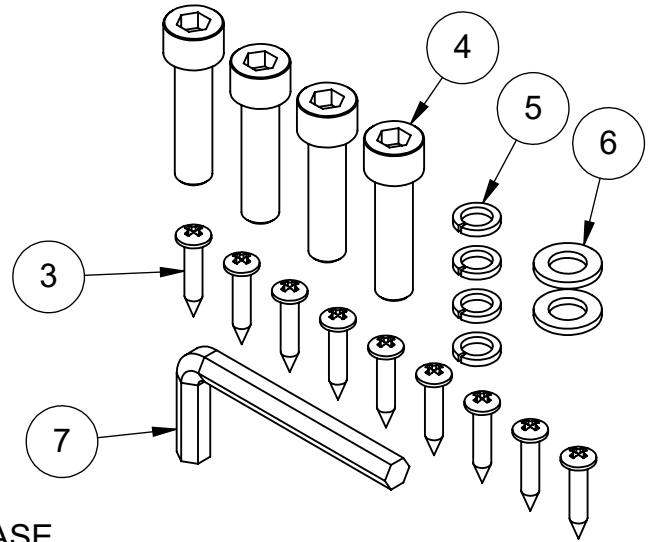
ITEM	PART NO.	DESCRIPTION	QTY
1	CALL ~**	TOP, SQUARE, HPL, BAND	1
2	SEE BELOW	BASE, TABLE, X-BASE	1

HARDWARE BAG (PART# LF125)

ITEM	DESCRIPTION	QTY
3	SCREW, #10 X 1.00, PPHPBS, , BLACK OXIDE	9
4	SCREW, M10-1.5 X 40, SHCS, , BLACK OXIDE	4
5	WASHER, LOCK, M8, BLK	4
6	WASHER, M10, 10.2ID, 18OD, 2.1THK, SFWM, , BLACK OXIDE	2
7	HEX KEY 5.0MM	1



DETAIL D
SCALE 1 : 3
LF126, GLIDE, M8X10MM, X-BASE

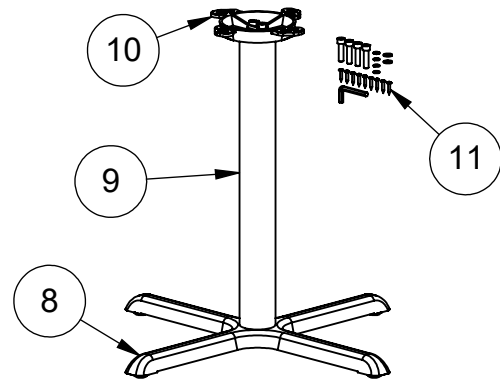
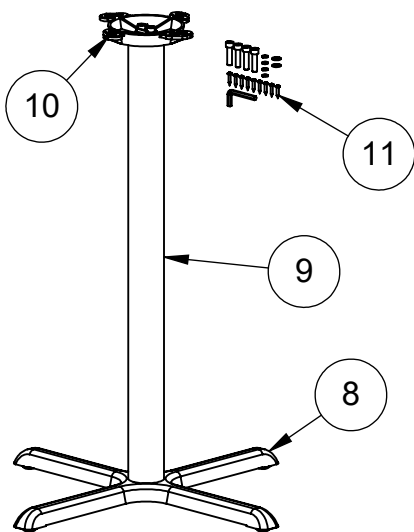


BASE, BAR HEIGHT (part CA41B2025)

ITEM	DESCRIPTION	QTY
8	BASE, X-BASE	1
9	COLUMN, BAR HEIGHT, X-BASE	1
10	TOP MOUNTING PLATE, X-BASE	1
11	HARDWARE KIT, BISTRO X-BASE	1

BASE, DINING HEIGHT (part CA28B2025)

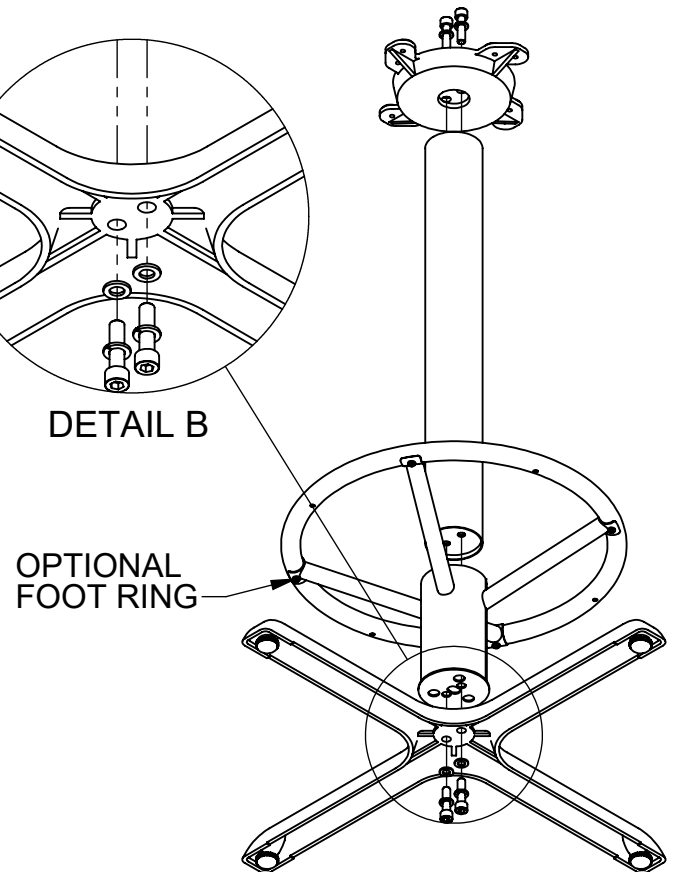
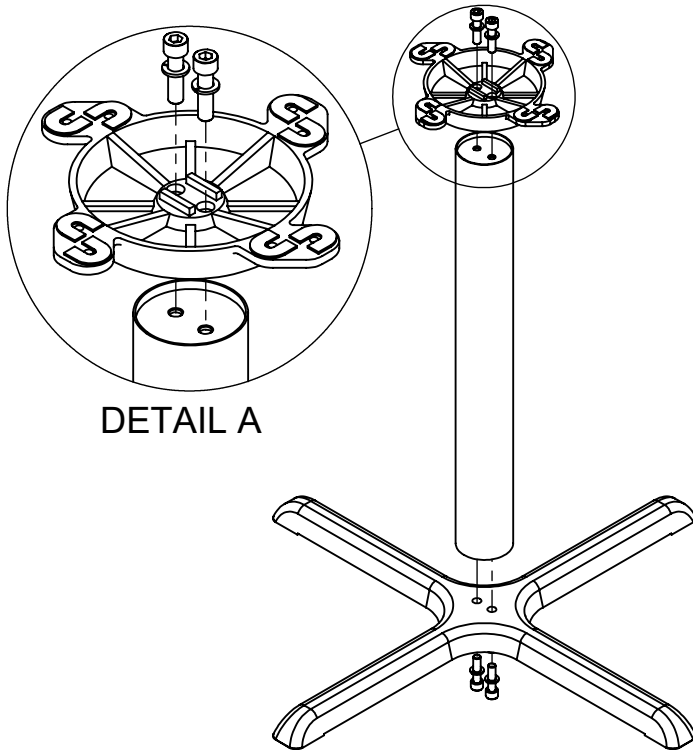
ITEM	DESCRIPTION	QTY
8	BASE, X-BASE	1
9	COLUMN, DINING HEIGHT, X-BASE	1
10	TOP MOUNTING PLATE, X-BASE	1
11	HARDWARE KIT, BISTRO X-BASE	1



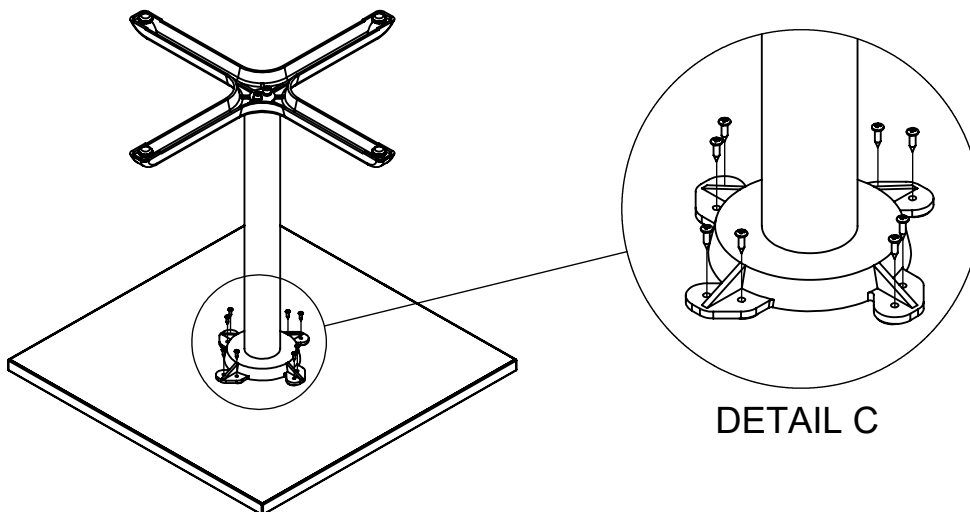
619 N. Commerce, P.O. Box 728 Sheboygan, WI 53082-0728
www.mayline.com 800-822-7388 920-457-7388

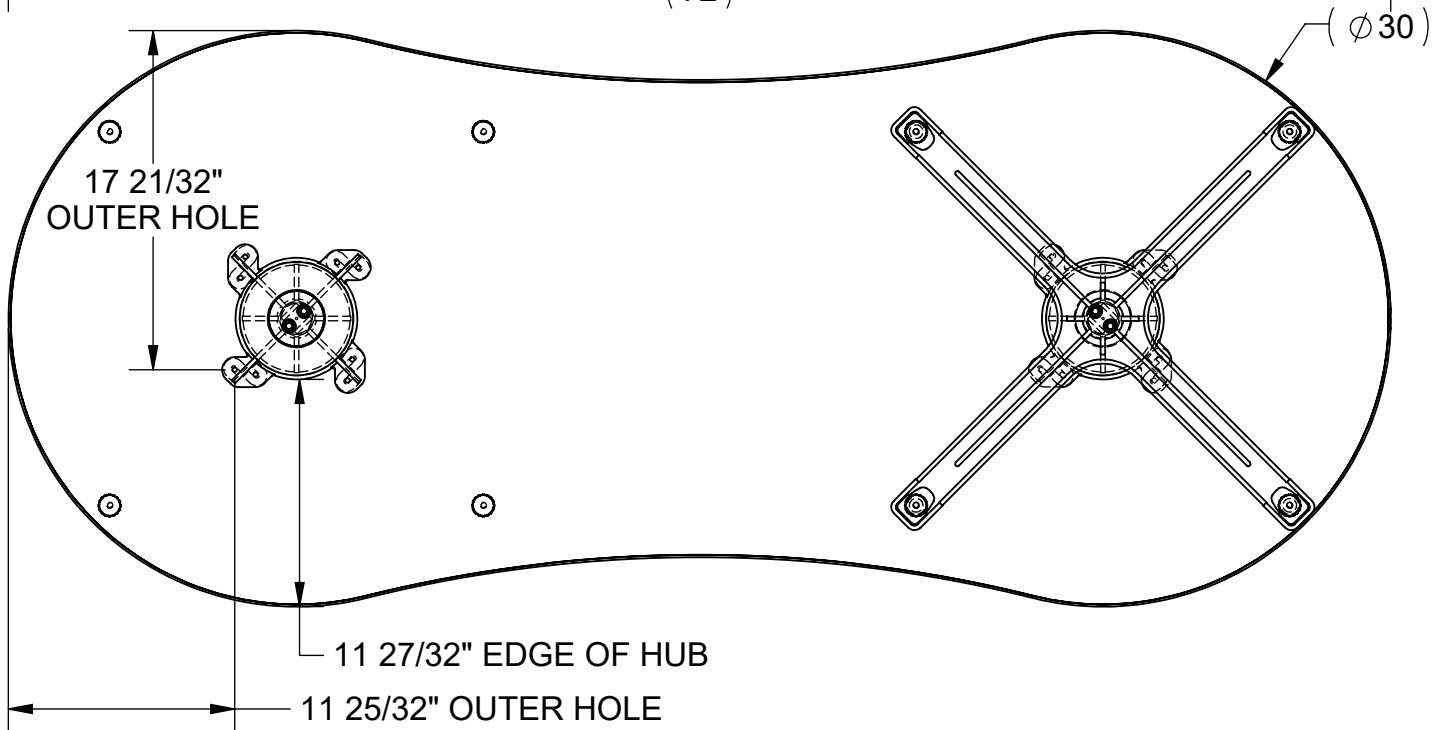
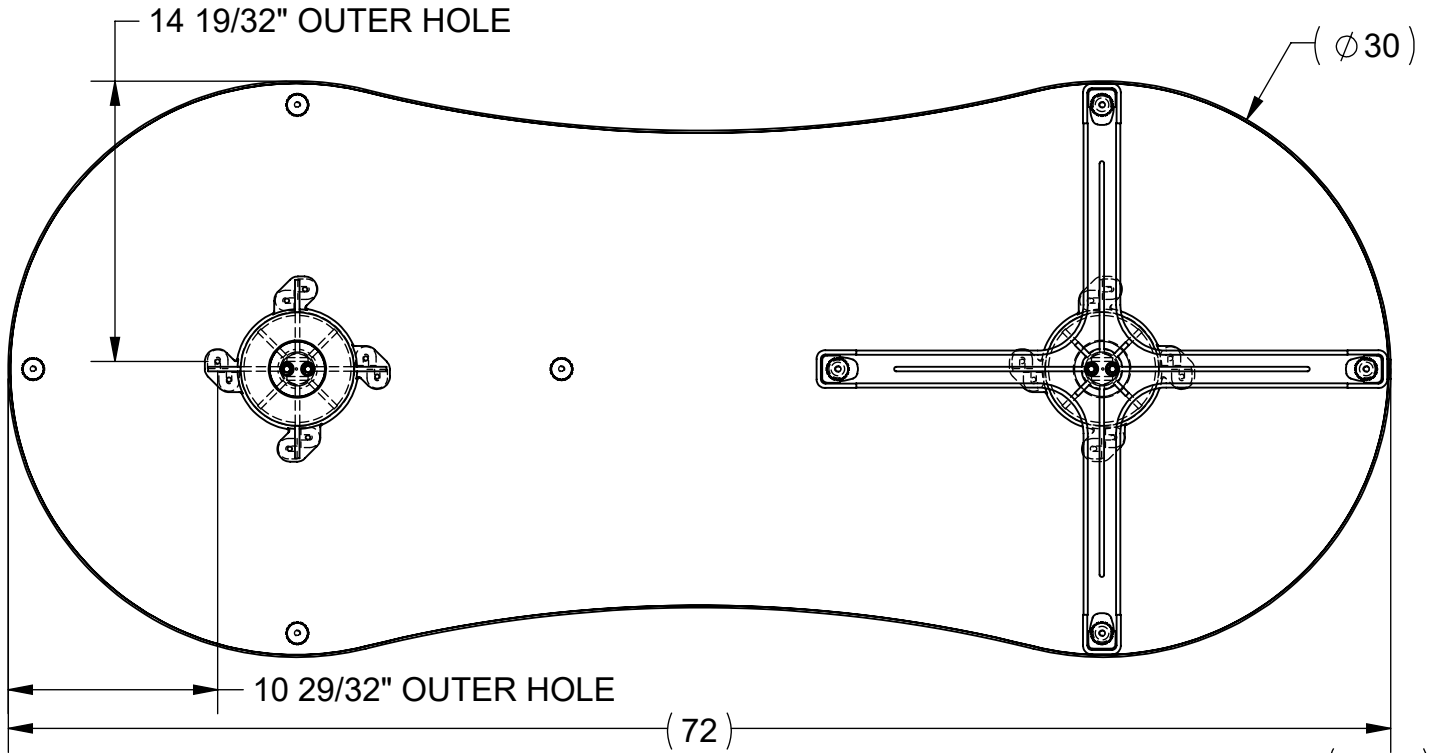
ASSEMBLY

1. Assemble Mounting Plate (10) to Column (9) using Lock Washer (5) & Screw (4) with Hex Key (7) in two places. (Detail A)
2. Assemble Base (8) to Column (9) using Washer (6) Lock Washer (5) & Screw (4) with Hex Key (7) two places. (Detail B)



3. Place Top face down on a clean flat surface. Center Base Assembly on Top and attach Base using Screws (3) (Detail C)
- NOTE: Pilot holes not required. The (1) hole in the center of the top is for the screw pattern center on sheet 5.
Tops are used accross multiple bases. See sheets 4-8 for base orientations.

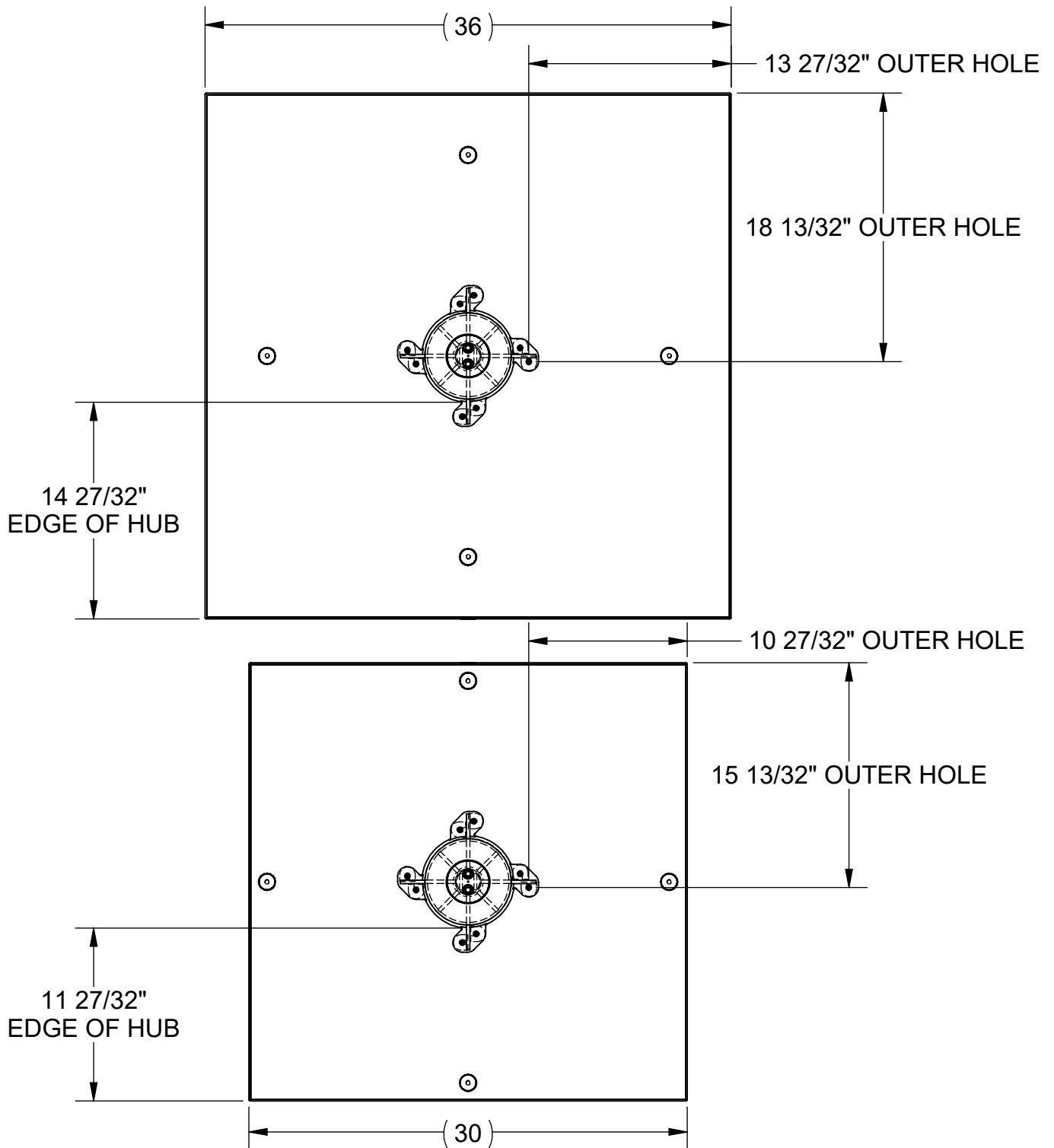




SAVED: 1/18/2018 7:36:49 AM



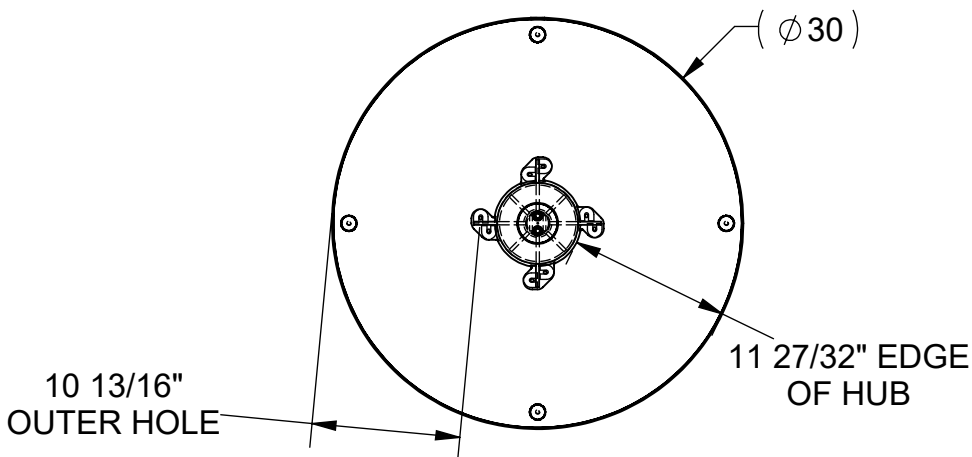
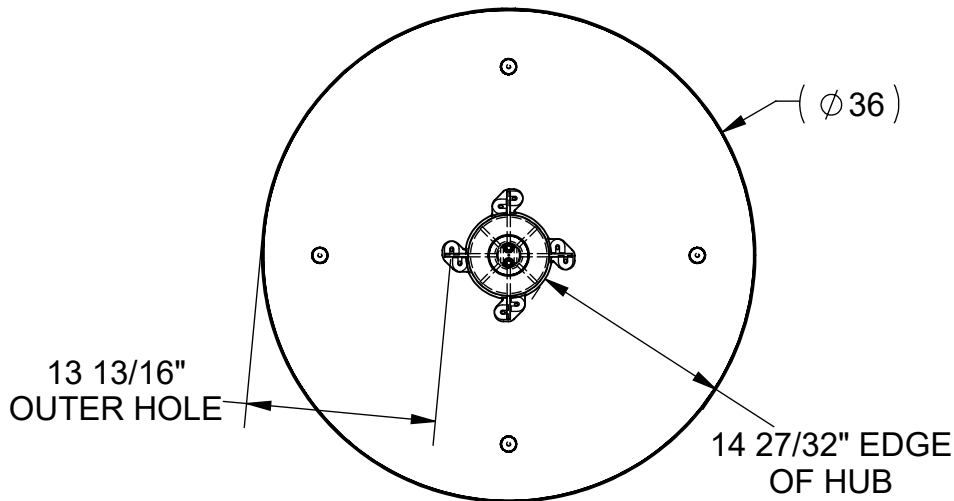
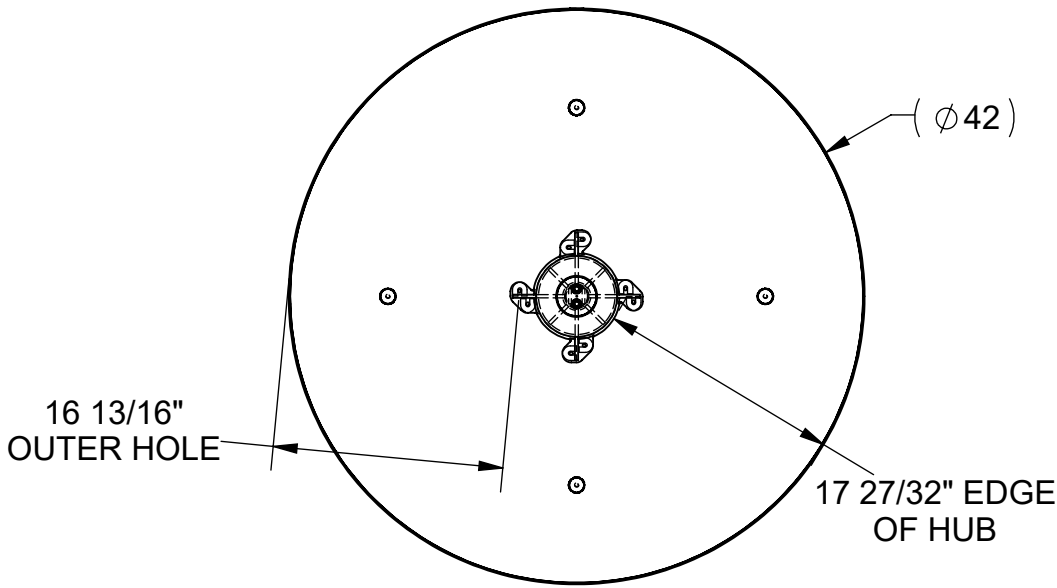
619 N. Commerce, P.O. Box 728 Sheboygan, WI 53082-0728
www.mayline.com 800-822-7388 920-457-7388

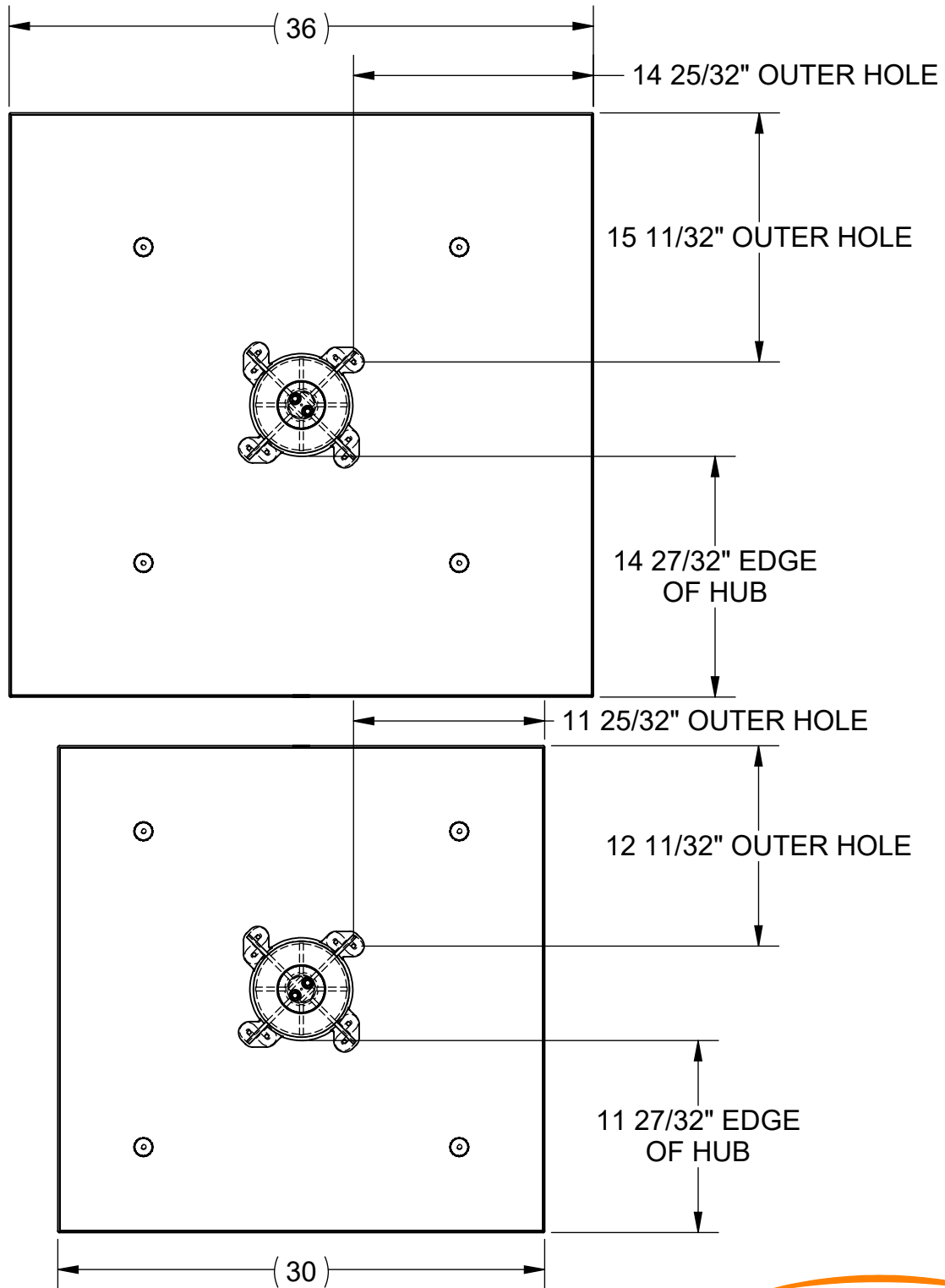


NOTES:
 1. DIMENSIONS FROM
 OUTER SCREW HOLE
 IN TOP PLATE.



619 N. Commerce, P.O. Box 728 Sheboygan, WI 53082-0728
 www.mayline.com 800-822-7388 920-457-7388





619 N. Commerce, P.O. Box 728 Sheboygan, WI 53082-0728
www.mayline.com 800-822-7388 920-457-7388

