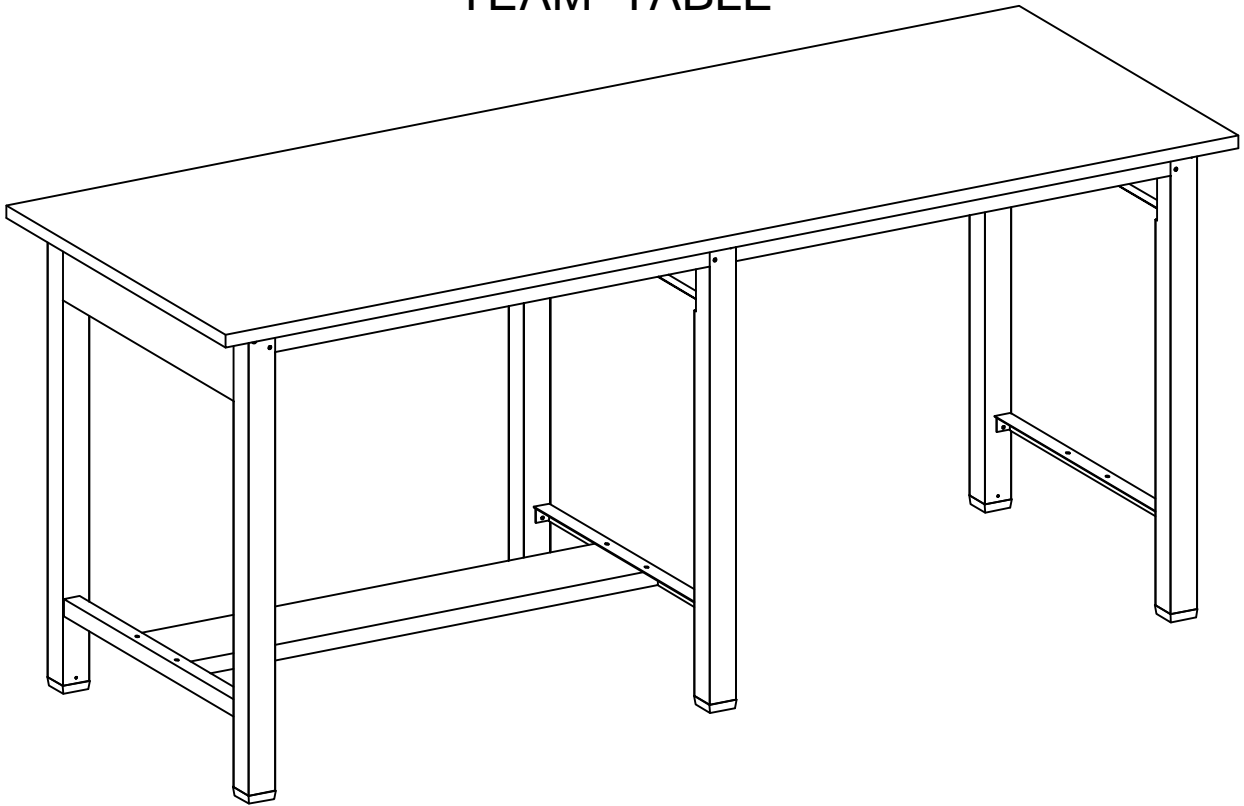


# ASSEMBLY INSTRUCTIONS

## TEAM TABLE



**NOTE:** Please count and inspect all pieces before disposing of any carton or packing materials.

When ordering components, specific color and/or size information may be required.  
 Contact a Mayline Customer Service Representative. 1-800-822-8037

**COMPONENTS:**

REF. #	QTY.	DESCRIPTION	PART No.
1	3	END ASSEMBLY	CALL**
2	2	UPPER RAIL	CALL**
3	1	UPPER RAIL LEFT	CALL**
4	1	UPPER RAIL RIGHT	CALL**
5	1	FOOT RAIL	CALL**
6	1	TOP	CALL~~*

\* Individual Items, Order by part number.  
 \*\* Denotes Color Code  
 ~~Denotes Size

**HARDWARE BAG PART No A8172:**

REF. #	QTY.	DESCRIPTION	PART No.	
E1	17	1/4-28 x 3/8 MACHINE SCREW	X156*	
E2	17	1/4-28 KEPS NUT	T25*	
E3	30	10 x 3/4 SCREW	X11*	



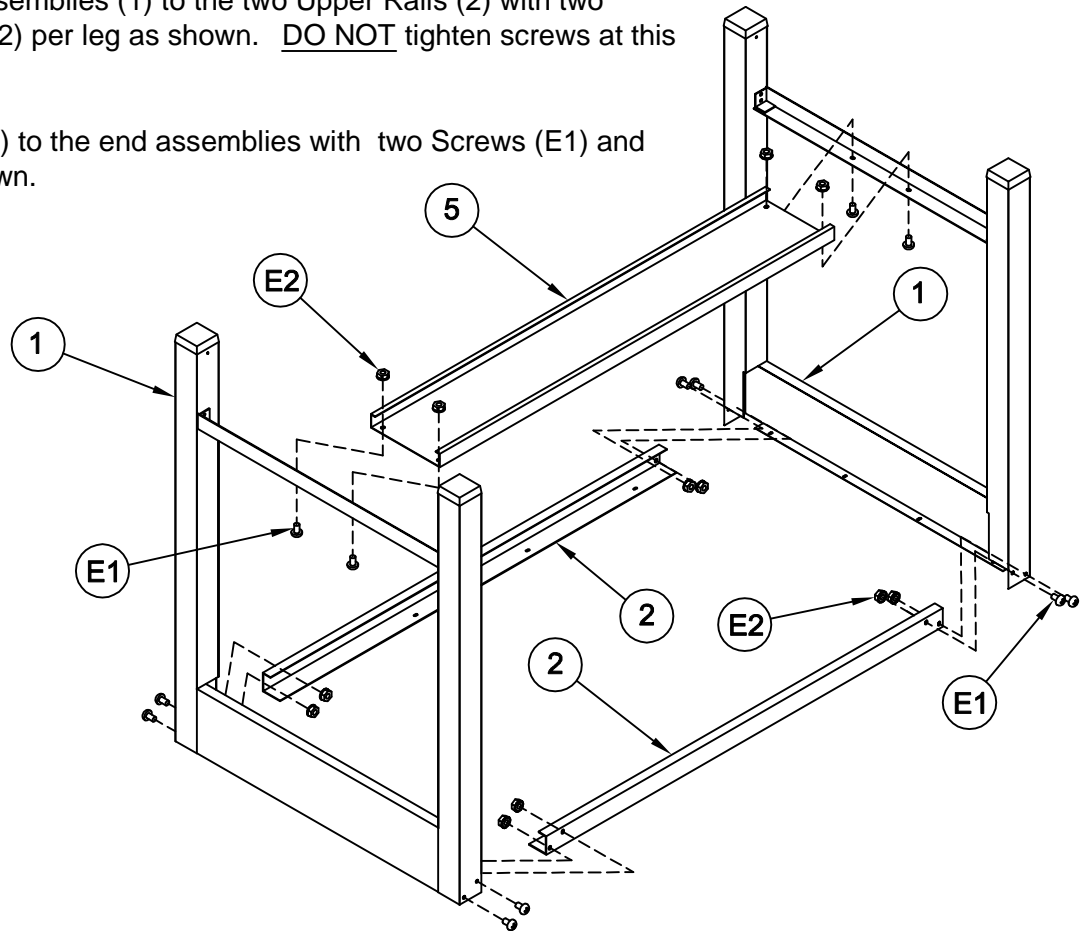
**MAYLINE®**

619 N. Commerce, P.O. Box 728, Sheboygan, WI 53082-0728  
[www.mayline.com](http://www.mayline.com) 800-822-8037 Fax 920-457-7388

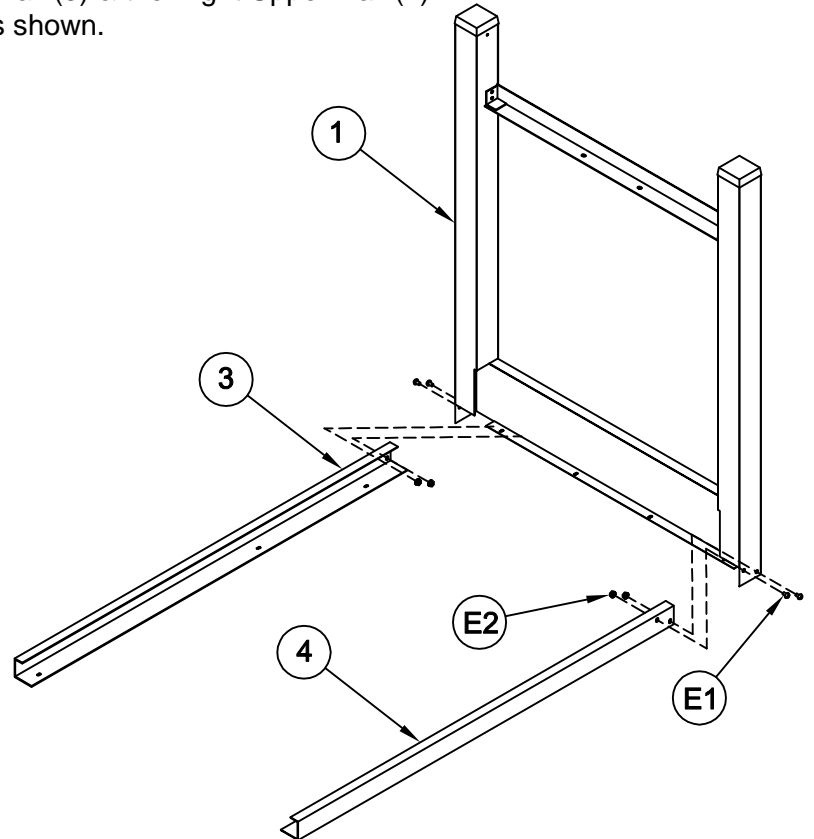
1. Assemble the two End Assemblies (1) to the two Upper Rails (2) with two Screws (E1) and two Nuts (E2) per leg as shown. DO NOT tighten screws at this time.

2. Assemble the Foot Rail (5) to the end assemblies with two Screws (E1) and two Nuts (E2) per leg as shown.

3. Tighten all Screws.



4. Assemble End Assembly (1) to the Left Upper Rail (3) & the Right Upper Rail (4) with two Screws (E1) and two Nuts (E2) per leg as shown.



5. Place Top (6) face down on a clean flat surface.

6. Line up all pilot holes and assemble Frame Assemblies to Top using Screws (E3) as shown.

7. Turn assembled table to an upright position. MAYLINE recommends that two people perform this task.

