

ASSEMBLY INSTRUCTIONS  
LIVING CHAIR TASK+  
MODEL NO. LV34



**IMPORTANT!**

**Review ALL instructions before beginning assembly.** These instructions are provided to avoid problems that may occur from improper assembly or installation. Mayline and/or its distributor are not responsible for failure resulting from improper assembly or installation of this product. Moreover, all warranties are void for failure to follow these assembly instructions.

**MAYLINE®**

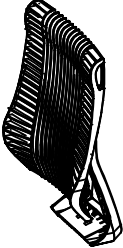
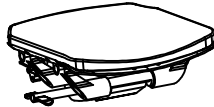
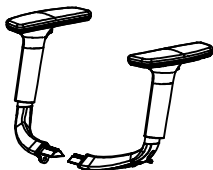
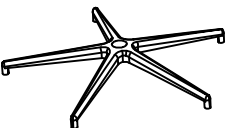


Mayline Company, LLC  
619 N. Commerce, P.O. Box 728  
Sheboygan, WI 53082-0728  
Toll Free: 1-800-822-8037  
FAX: 920-457-7388  
On Line: [www.mayline.com](http://www.mayline.com)

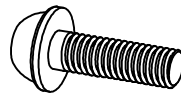
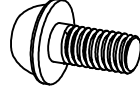

# PARTS LIST

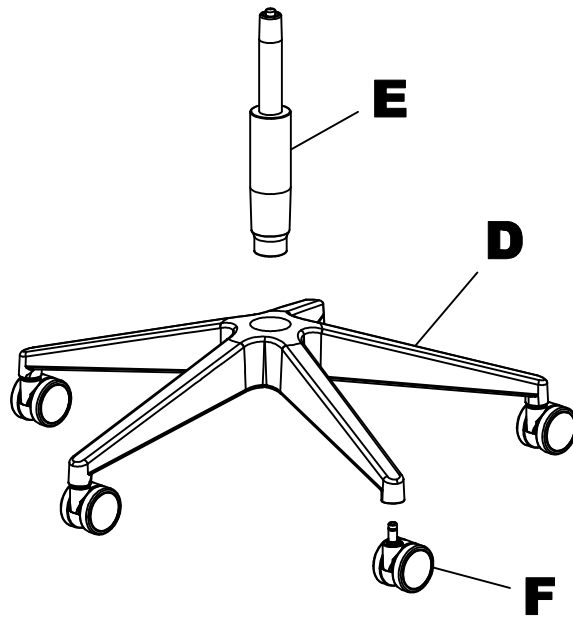
When ordering components, specific color and/or size information may be required.  
Contact a Mayline Customer Service Representative. 1-800-822-8037

\* Individual Items, Order by part number.

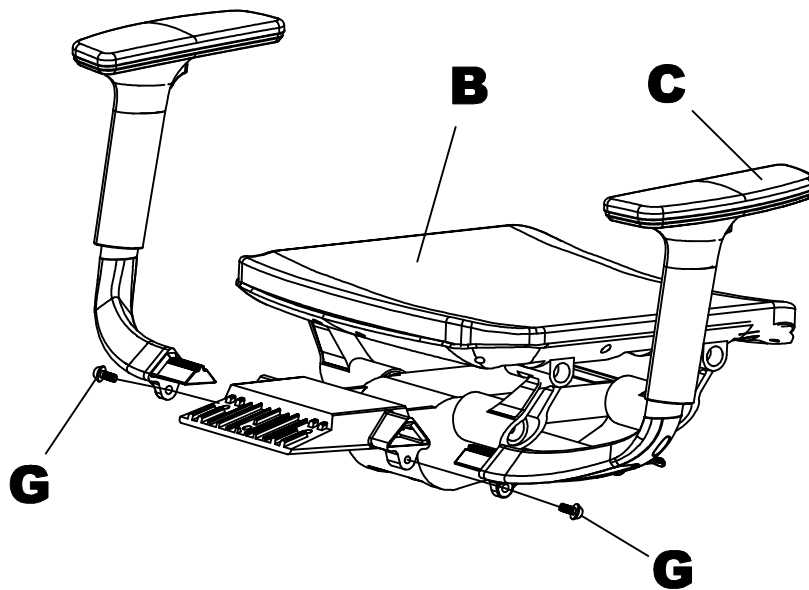
\*\* Denotes Color Code

Reference Letter <b>A*</b>   Part Number <b>BN202** Back Assembly</b>	Quantity          <b>1</b>
Reference Letter <b>B*</b>   Part Number <b>BN205** Seat Assembly</b>	Quantity          <b>1</b>
Reference Letter <b>C*</b>   Part Number <b>BN204 Arms (Pair)</b>	Quantity          <b>1</b>
Reference Letter <b>D*</b>   Part Number <b>BN206** Base</b>	Quantity          <b>1</b>
Reference Letter <b>E</b>   Part Number <b>BN207** Cylinder</b>	Quantity          <b>1</b>
Reference Letter <b>F*</b>   Part Number <b>BN208 Caster (5 Pack)</b>	Quantity          <b>5</b>

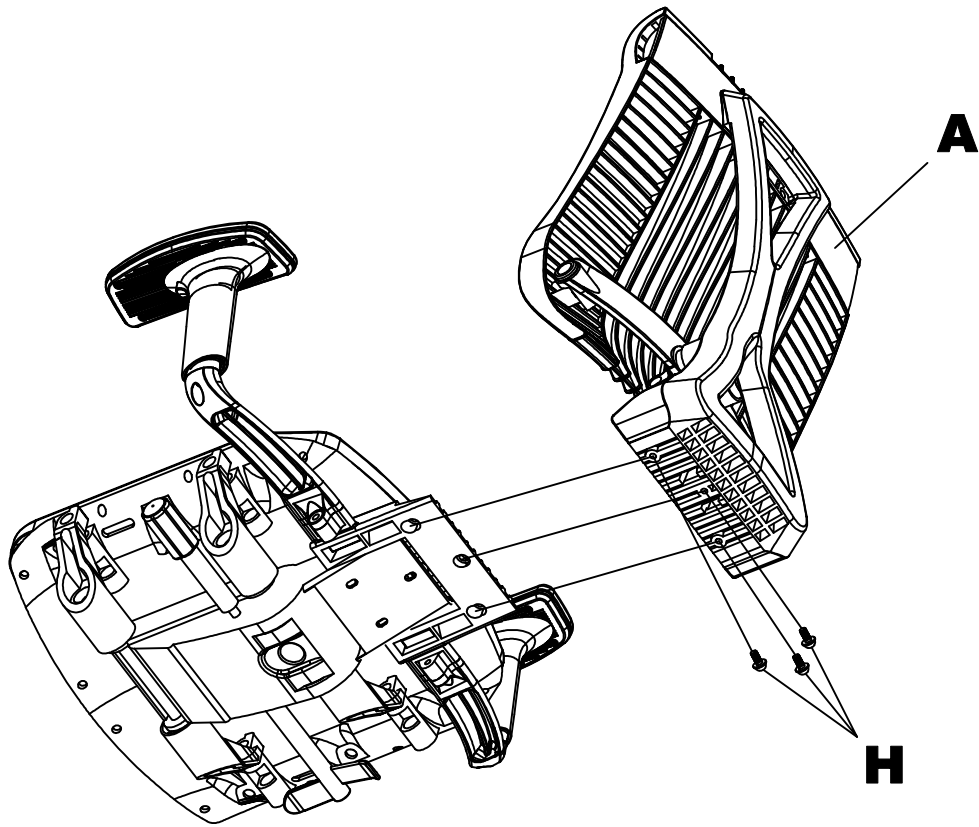
Part Number <b>BN201 * Replacement Hardware Pack</b>		
Reference Letter <b>G</b>   Screw M8 x 30mm		Quantity          <b>2</b>
Reference Letter <b>H</b>   Screw M8 x 16mm		Quantity          <b>3</b>
Reference Letter <b>J</b>   Allen Wrench		Quantity          <b>1</b>



1. Place Base (D) upside down and push Casters (F) firmly into base. 5 places.
2. Turn Base right side up and insert Cylinder (E) into center hole of Base.



3. Remove pre-installed Screw (G) from Seat Assembly (B). Assemble Arms (C) onto Seat Assembly (B) using Screw (G). 2 Places.



4. Remove pre-installed Screw (H) from Back Assembly (A) 3 Places. Assemble Back Assembly onto Seat Assembly using Screw (H). 3 places.
5. Carefully place Seat assembly onto Base assembly.

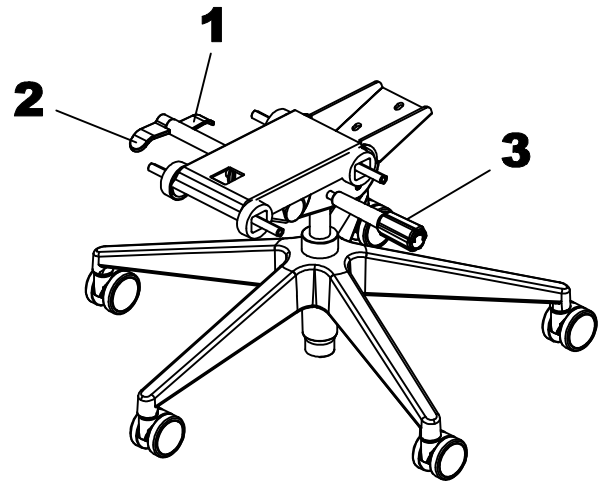
**NOTE:**

Periodically (Every 90 days) make sure all screws are fully tightened.

## OPERATING INSTRUCTIONS FOR MULTI-FUNCTION MECHANISM & CHAIR FEATURES.

### 1. Back Posture Adjustment

To adjust angle of the seat, push paddle down to unlock. Adjust seat, push knob down to lock into one of three positions.



### 2. Seat Height Adjustment.

To raise the seat, pull lever upward and raise your body up slightly to allow the chair to rise to the desired height.

To lower the seat, pull lever upward and apply weight downward on the seat.

### 3. Tilt Tension Control Knob.

Turn knob clockwise to decrease tilt tension into one of three positions.

Turn knob counter-clockwise to increase tension into one of three positions.

