

50/50 Split Top Ranger Table

MODELS:

7774.....LPL SURFACE
7774L.....HPL SURFACE

7774A.....LPL SURFACE / TOOL DRAWER
7774LA.....HPL SURFACE / TOOL DRAWER

7774B.....LPL SURFACE / TOOL & REF.DRAWERS
7774LB.....HPL SURFACE / TOOL & REF. DRAWERS

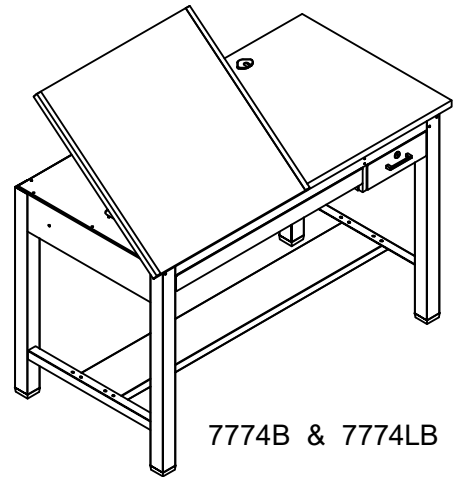
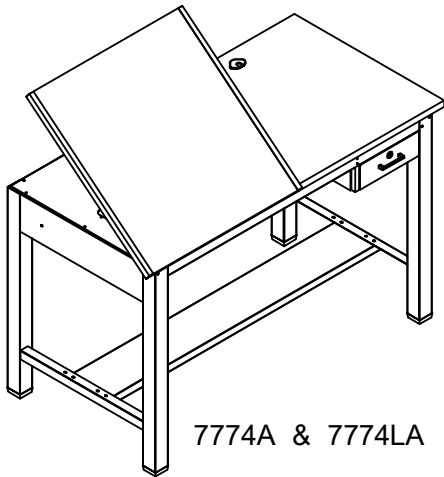
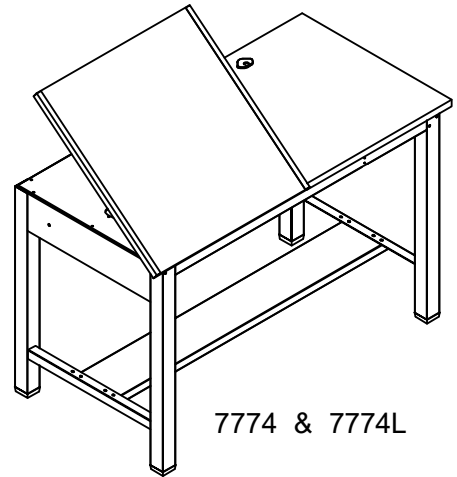


Table of Contents.....	page 1
Tools and Safety.....	page 2
Exploded View with B.O.M (Table).....	page 3
Exploded View with B.O.M (Optional Drawers).....	page 4
Hardware B.O.M.....	page 5 & 6
Assembly Instructions (Table).....	page 7-9
Assembly Instructions (Optional Drawers).....	page 10-13
Assembly Instructions (Tilt Top & Reference Top).....	page 14
Installation (Tilt Top, Dust Cover, Reference Top).....	page 15

TOOLS REQUIRED

POWER DRIVER
WITH #2 PHILLIPS BIT

#2 PHILLIPS SCREWDRIVER

7/16" WRENCH

3/8" WRENCH

IMPORTANT!

Review ALL instructions before beginning assembly. These instructions are provided to avoid problems that may occur from improper assembly or installation. Mayline and/or its distributor are not responsible for failure resulting from improper assembly or installation of this product. Moreover, all warranties are void for failure to follow these assembly instructions.

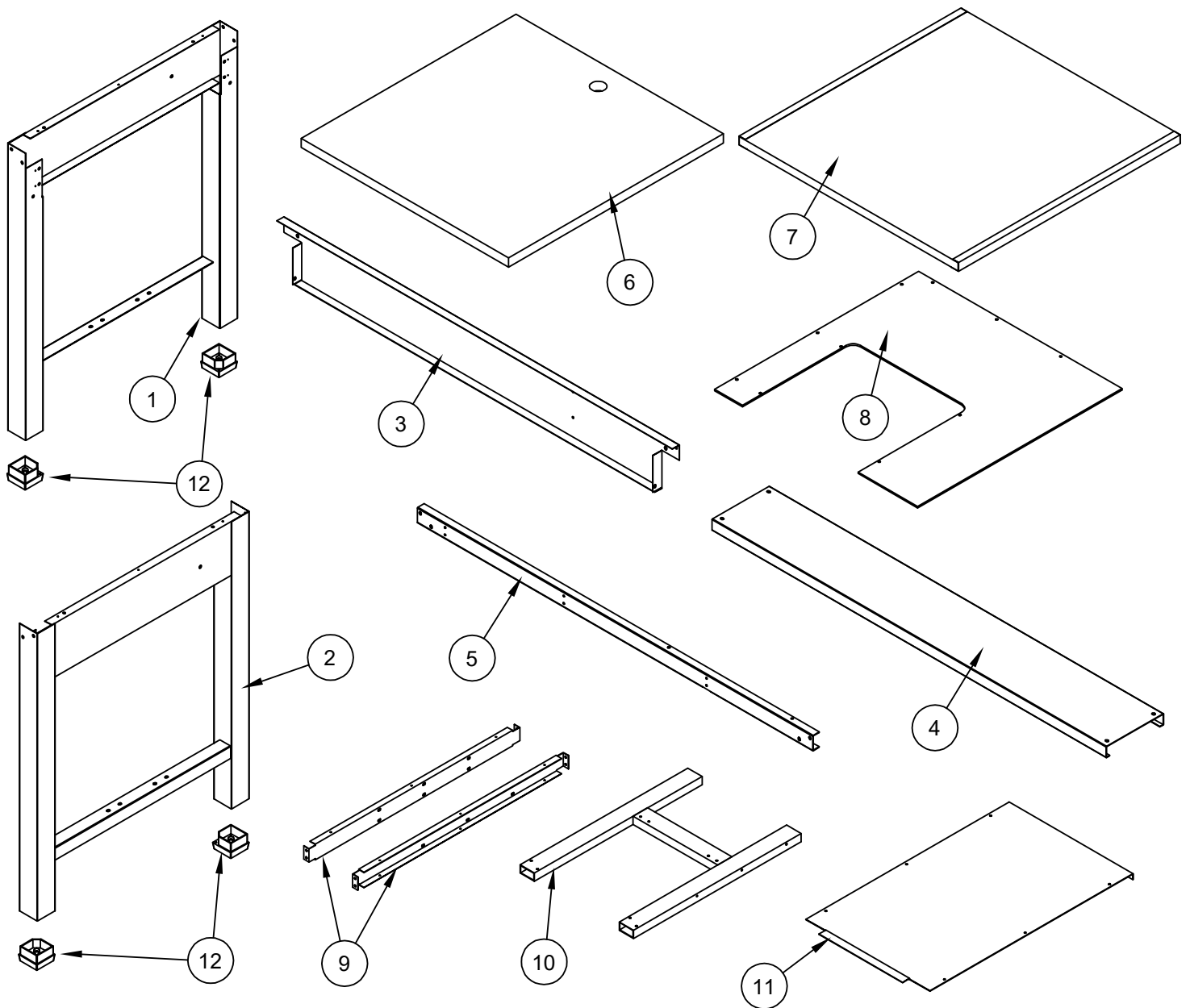
SAFETY TIPS

INSTALLATION REQUIRES A
MINIMUM OF 2 PEOPLE

WHENEVER POSSIBLE, ASSEMBLE
PRODUCT AT OR NEAR ITS FINAL
LOCATION.

ALWAYS WEAR EYE PROTECTION

50/50 Split Top Ranger Table

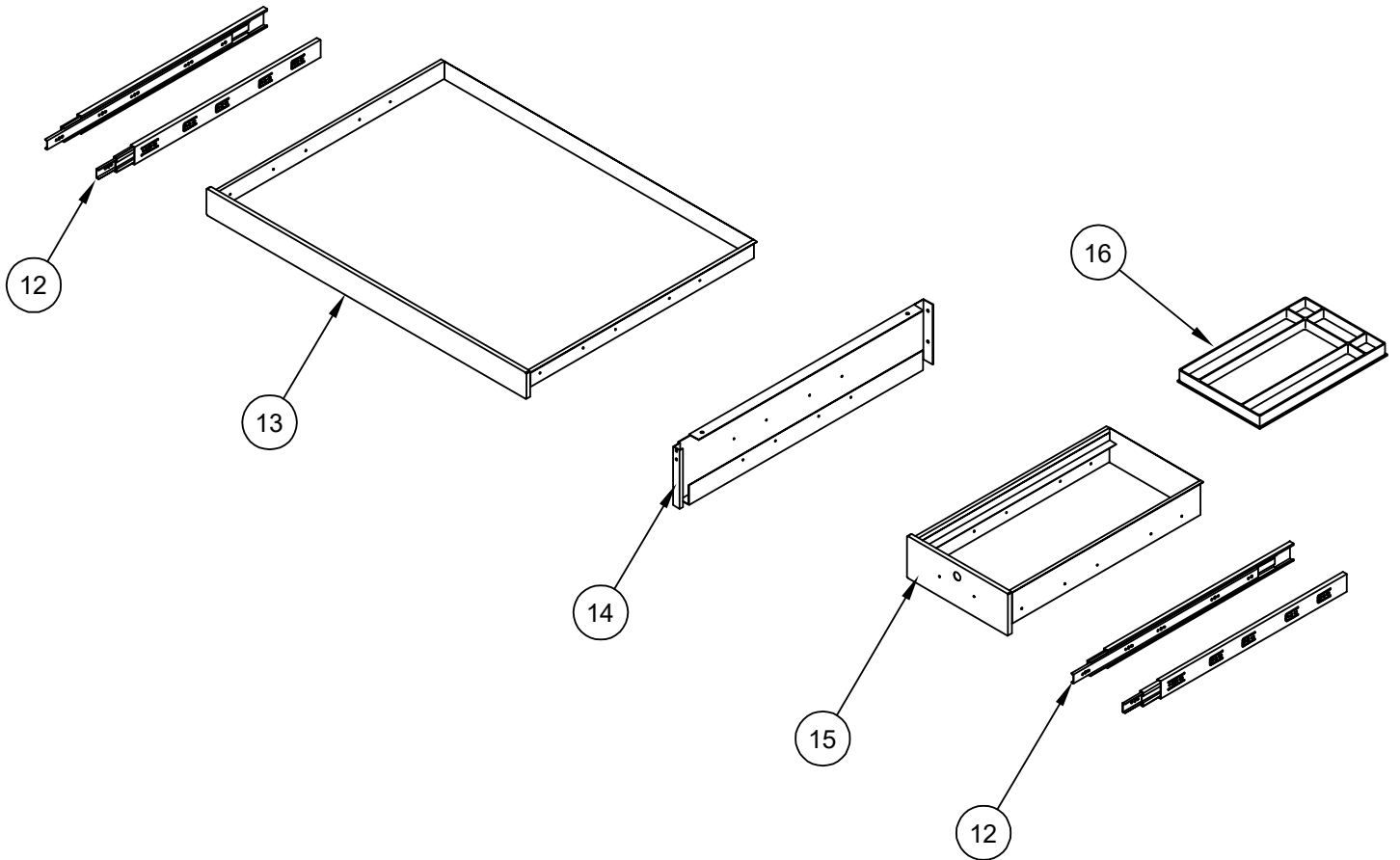


ITEM	QTY	DESCRIPTION	PART No.
1	1	END ASSEMBLY, L.H. 29.62 X 34.97	A7917
2	1	END ASSEMBLY, R.H. 29.62 X 34.97	A7918
3	1	BACK RAIL 50/50 SPLIT TOP 55.19	B9600
4	1	FOOT RAIL	B2026
5	1	RAIL, SPLIT 50/50 FRONT 55.19	B9599
6	1	RANGER, SPLIT 50/50 SIDE REF.	12977
7	1	RANGER, SPLIT 50/50 TILT	12976
8	1	DUST COVER 28.35 X 28.87	L89319
9	2	RAIL, SUPPORT	B6543
10	1	FRAME WELD, 50/50 RANGER	A9248
11	1	PANEL, DRAWER COVER	B9643
12	4	PLASTIC FOOT	F950

NOTE: DIMENSIONS LISTED ARE NOMINAL

50/50 Split Top Ranger Table

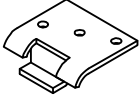
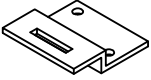
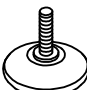
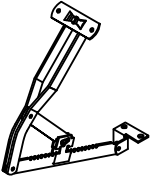
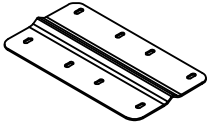

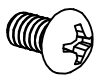
"OPTIONAL" Drawer Components




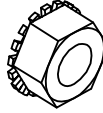

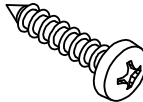



ITEM	QTY	DESCRIPTION	PART No.
12	2/4	PROGRESSIVE SLIDE	B6361
13	1	DRAWER, REFERENCE WELD ASM	A7655
14	1	SUPPORT, CENTER	B7469
15	1	DRAWER, TOOL WELD ASM	A7553
16	1	PLASTIC TRAY, 4 POST	F187

50/50 Split Top Ranger Table




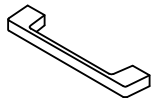

Hardware Bag Contents - BASE (A9249):

Name	Part	Qty.
A	 B194 Upper Hinge	2
B	 B195 Lower Hinge	2
C	 X453 Glide	4
D	 V120A Lift Assembly	2
E	 B7522 Joining Plate	1
F	 X140A PTHSMS #8 x 5/8"	11
G	 X147 PTHMS #10-24 x 3/8"	14


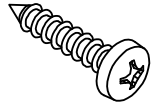

Name	Part	Qty.
H	 X156 PRHMS #1/4-28 x 3/8"	15
J	 X191 PFHTC #10-32 x 1/2"	5
K	 X204 PPHTC #10-32 x 1/2"	18
L	 T25 KEPS Nut 1/4-28	15
M	 T2 KEPS Nut #10-24	14
N	 X11 Pan Head Screw #10 x 3/4 "	18
P	 D10 Rubber Bumper	2

50/50 Split Top Ranger Table


Hardware Bag Contents - OPTIONAL Drawers:

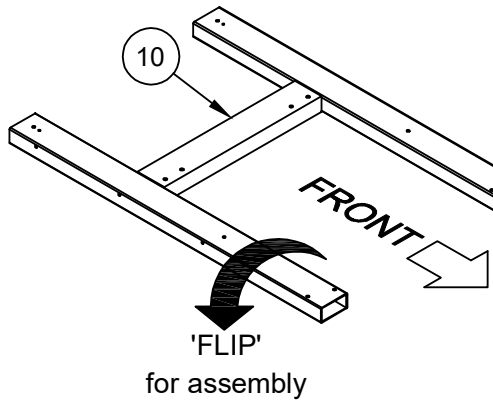
Name	Part	Qty.
Q	 X384 PPHMS #8-32 x 5/16"	13
R	 T129 Acorn Nut #8-32	13
S	 X247 PPHTC #8-32 x 3/8"	9
T	 Q35 Handle	1
U	 Q52 Lock	1

Pencil Stop Replacement Parts

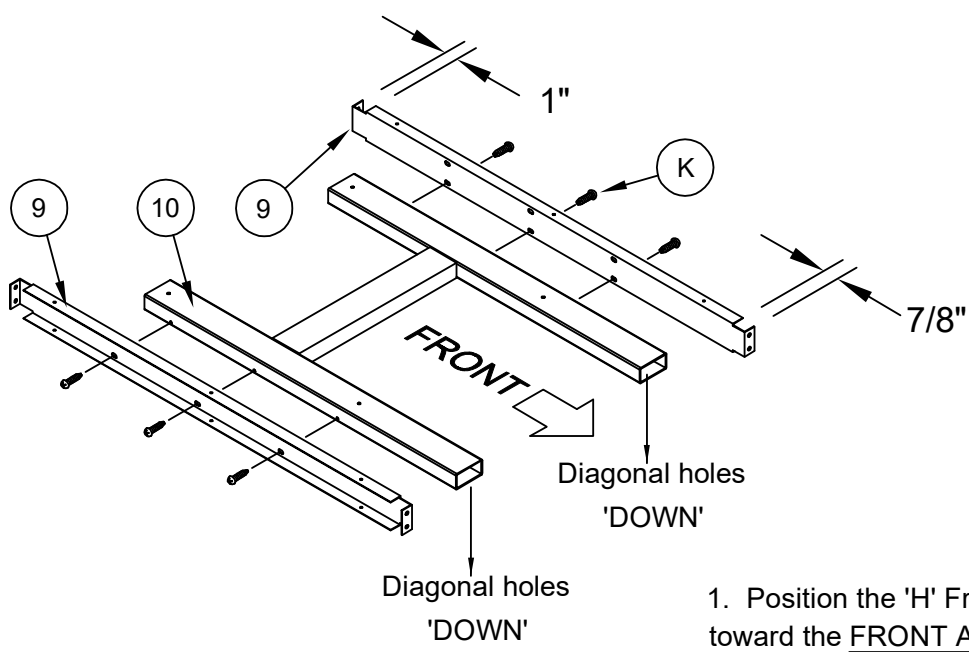
Name	Part	Qty.
V	 B9718 Pencil Stop	1
W	 X11 Pan Head Screw #10 x 3/4 "	2
X	 992102 Nylon Washer	4

50/50 Split Top Ranger Table

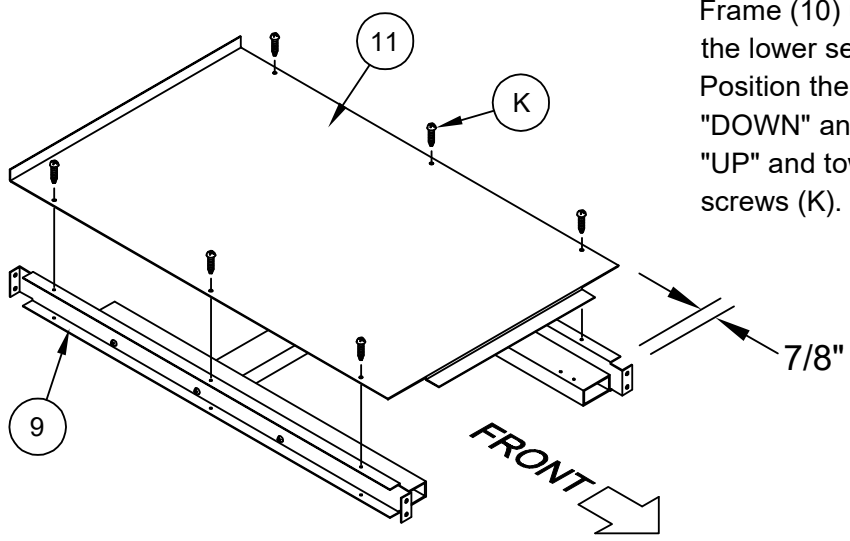
K	 X204 PPHTC #10-32 x 1/2"	12
----------	--	-----------



NOTE: These diagonal holes indicate front of the 'H' frame.

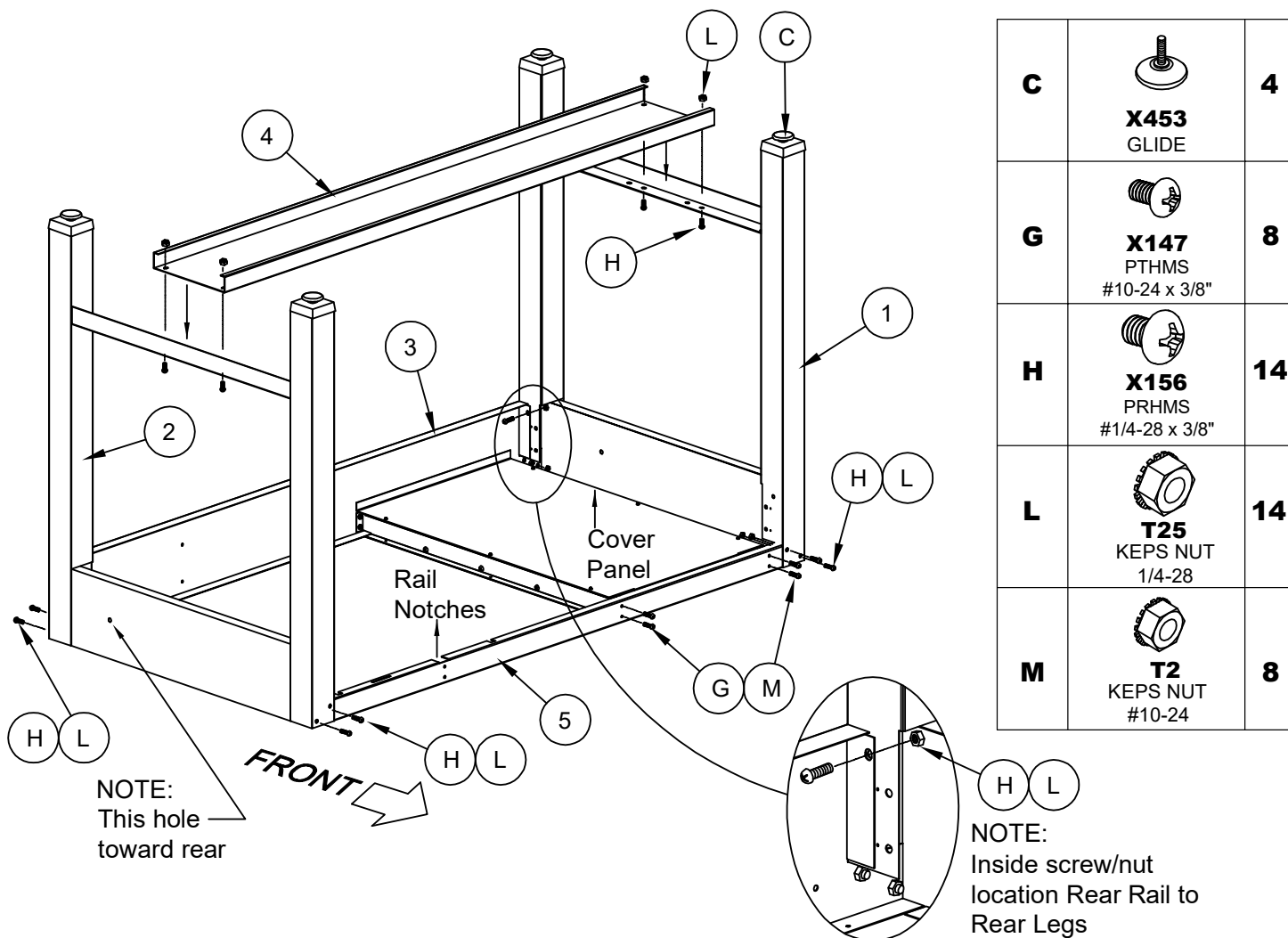


1. Position the 'H' Frame (10) with the diagonal holes toward the FRONT AND DOWN. Position each Support Channel (9) with the 7/8" notch toward the front. Attach the Support Channels (9) to the 'H' Frame (10) using #10-32 x 1/2 Screws (K) through the lower set of slots. Position the Drawer Panel Cover (11) with the offset "DOWN" and toward the front. Position the flange "UP" and toward the rear. Attach the cover using 6 screws (K).



50/50 Split Top Ranger Table

8



NOTE:
This hole
toward rear

NOTE:
Inside screw/nut
location Rear Rail to
Rear Legs

NOTE: For ease of assembly, assemble Base 'UPSIDE DOWN'.

2. Place the two End Assemblies (1 & 2) upside down with the side panel hole toward the rear. Position the Front Rail (5) with notches 'UP'. Position the Rear Rail (3) with the attachment holes 'DOWN'. Position 'H' frame assembly (Step 1) with drawer cover panel 'UP' and 7/8" channel notch toward 'FRONT'.

3. Secure the 'H' Frame/Support Assembly from step 1 to the Front and Rear Rails (3&5) using #10-24 x 3/8 Screw (G) and KEPS Nuts (M). DO NOT tighten screws at this time.

4. Secure the Front Rail (5) to the End Assemblies (1&2) with two Screws (H) and two Nuts (L) per end. Secure the Rear Rail (3) to the End Assemblies (1&2) with three Screws (H) and three Nuts (L) per end. Note inside Screw & Nut location for rear legs. DO NOT tighten screws at this time.

5. Position the Foot Rail (4) with flat surface 'DOWN'. Attach the Foot Rail (4) to the End Assemblies (1&2) with four Screws (H) and Nuts (L).

6. TIGHTEN ALL rail attaching screws now.



7. Install Glides (C) into the End Assemblies.

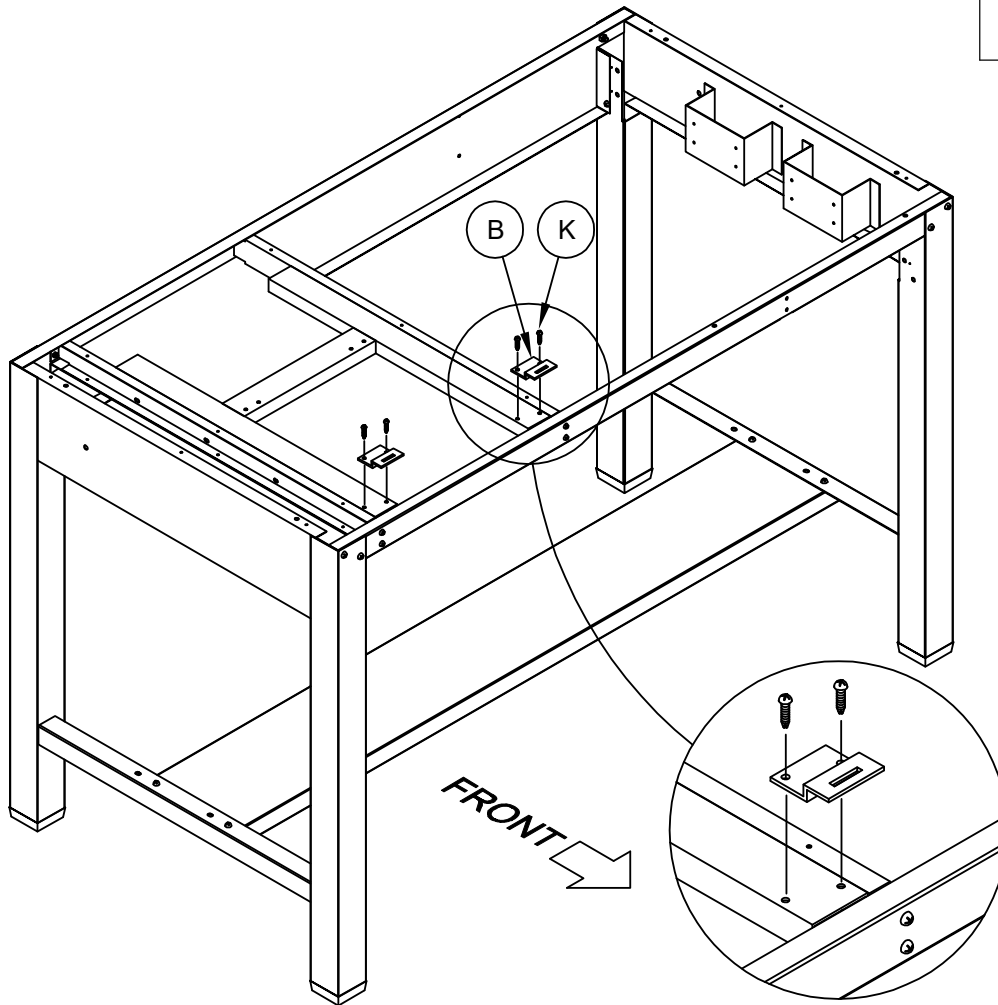
8. Turn assembled table to an upright position.
MAYLINE recommends that two people perform this task.

For tables **without** Optional Drawers -
continue assembly on page 13 with Tilt
Top and Reference Top assembly

50/50 Split Top Ranger Table

9

B	 B195 LOWER HINGE	2
K	 X204 PPHTC #10-32 x 1/2"	4




9. Attach Lower Hinges (B) to 'H' frame with #10-32 x 1/2 Thread Cutting Screw (S). Position with hinge slot toward front of table.

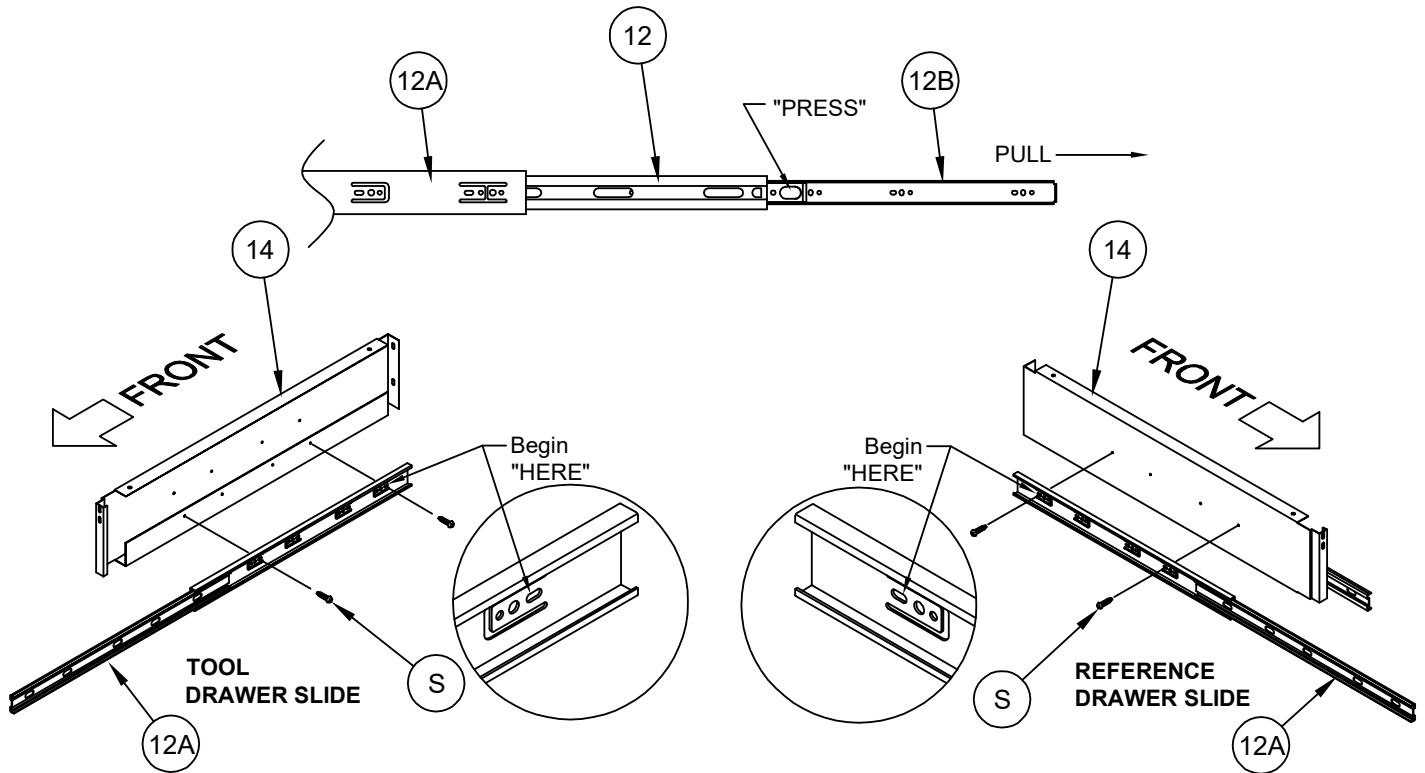
For tables ***without*** Optional Drawers - continue assembly on page 14 with Tilt Top and Reference Top assembly

50/50 Split Top Ranger Table

10

"OPTIONAL" Drawer Assembly

S	 X247 PPHTC #8-32 x 3/8"	4
----------	---	----------



10. Separate the Drawer Slides (12) into two pieces (12A & 12B). Extend the Slide to the full extension. Remove the smaller portion (12B) by pressing the plastic release and pulling.


11. Attach the large Slide portion (12A) to the Center Support (13) using two Screws (S). Begin attaching the Slide portion (12A) using the large 'Horizontal' slot in the last slide mounting tab.

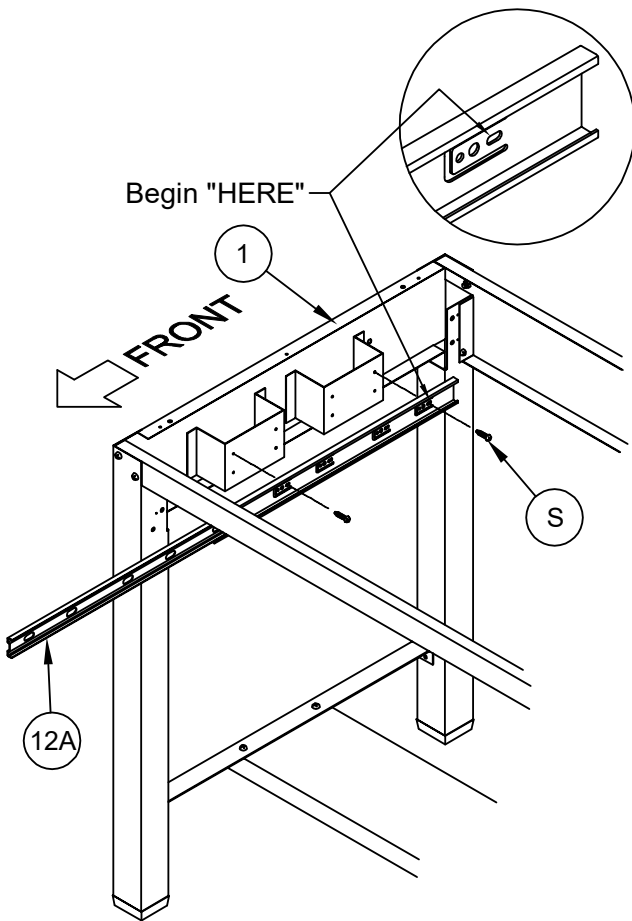
NOTE: When assembling the Reference Drawer, repeat step #2 on the opposite side of the Center Support.

50/50 Split Top Ranger Table

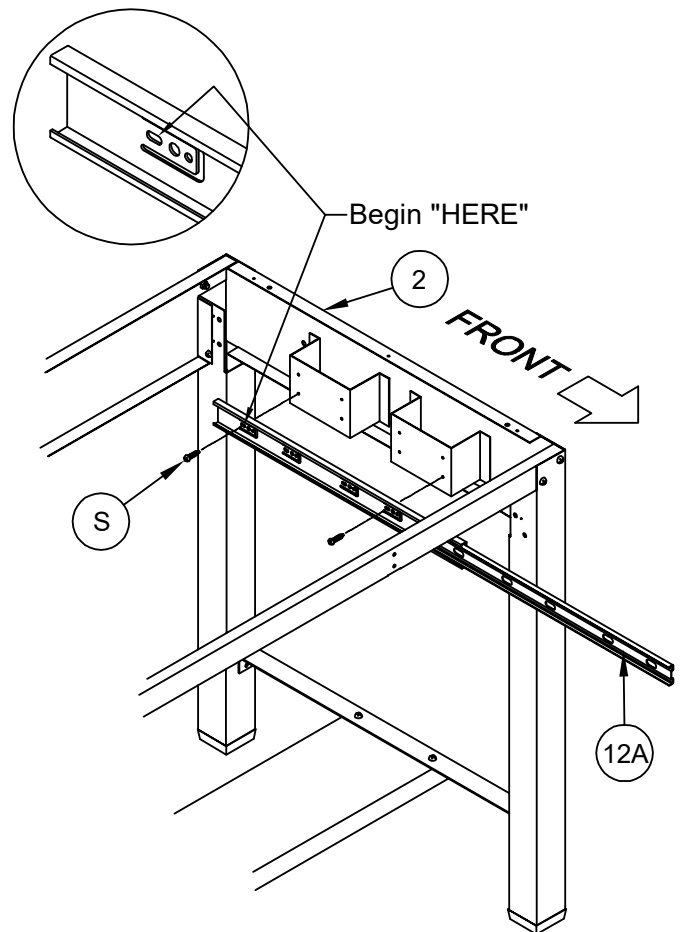
11

"OPTIONAL" Drawer Assembly

S	 X247 PPHTC #8-32 x 3/8"	4
----------	---	----------



L.H. Side - Reference Drawer



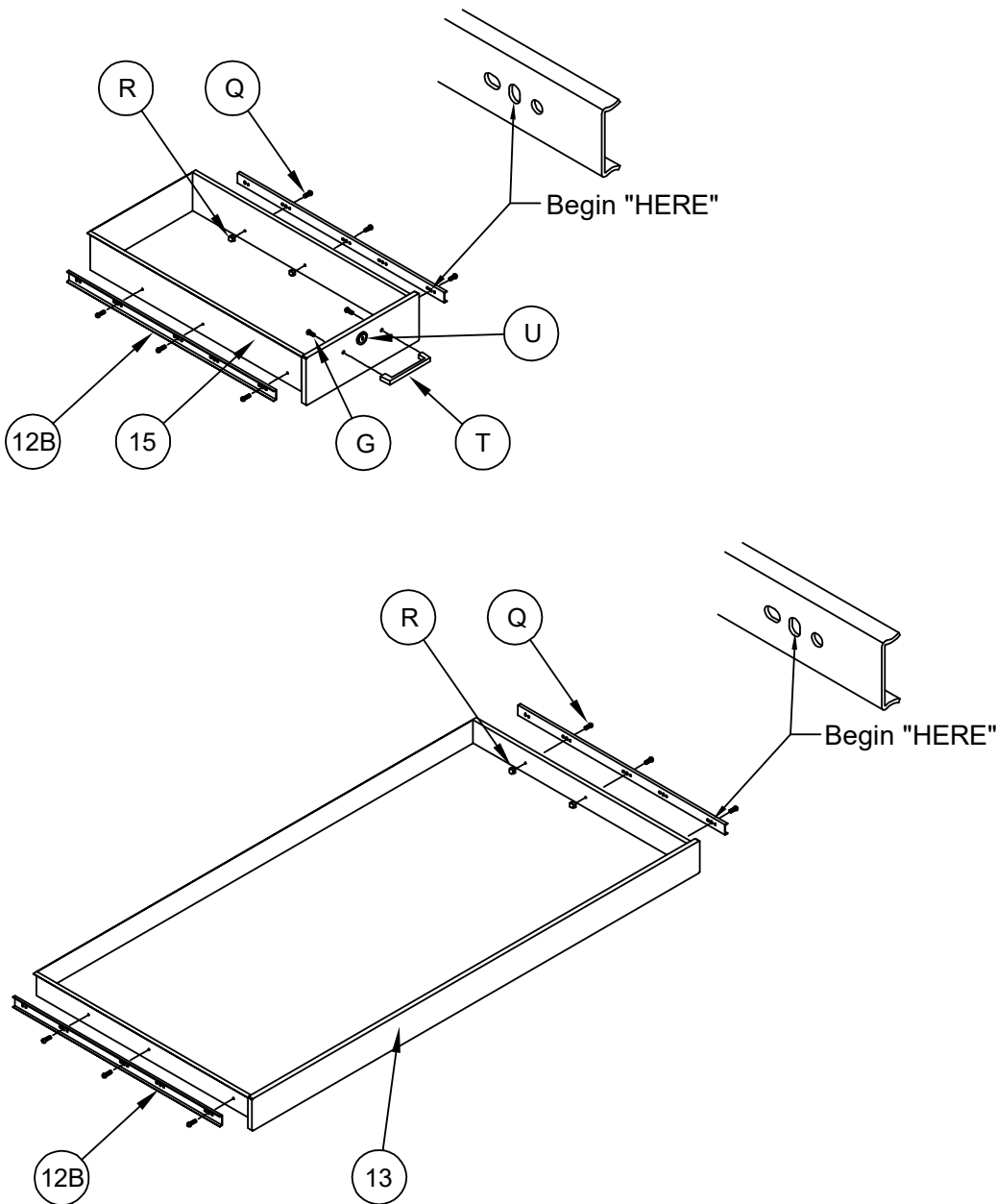
R.H. Side - Tool Drawer




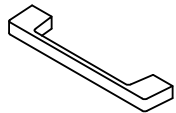

12. Attach one large Slide portion (12A) to the brackets on the End Assemblies (1 & 2) using two Screws (S). Using the LOWER set of holes for Tool Drawer installation (R.H. Side), begin attaching the Slide using the large 'Horizontal' slot in the last mounting tab. When installing the Reference Drawer, repeat this procedure on the L.H. Side Assembly using the UPPER set of holes.

50/50 Split Top Ranger Table

12

"OPTIONAL" Drawer Assembly



G	 X147 PTHMS #10-24 x 3/8"	6
Q	 X384 PPHMS #8-32 x 5/16"	12
R	 T129 ACORN NUT #8-32	12
T	 Q35 HANDLE	1
U	 Q52 LOCK	1

13. Attach the smaller Slide portion (12B) to each side of the Tool Drawer (15) using three Screws (Q) and three Acorn Nuts (R). Begin attaching the Slide using the 'Vertical' slot in the first hole cluster.



NOTE: When assembling the Reference Drawer (13), repeat Step 13, beginning at the same vertical slot in Slide portion 12B as on the tool drawer assembly.

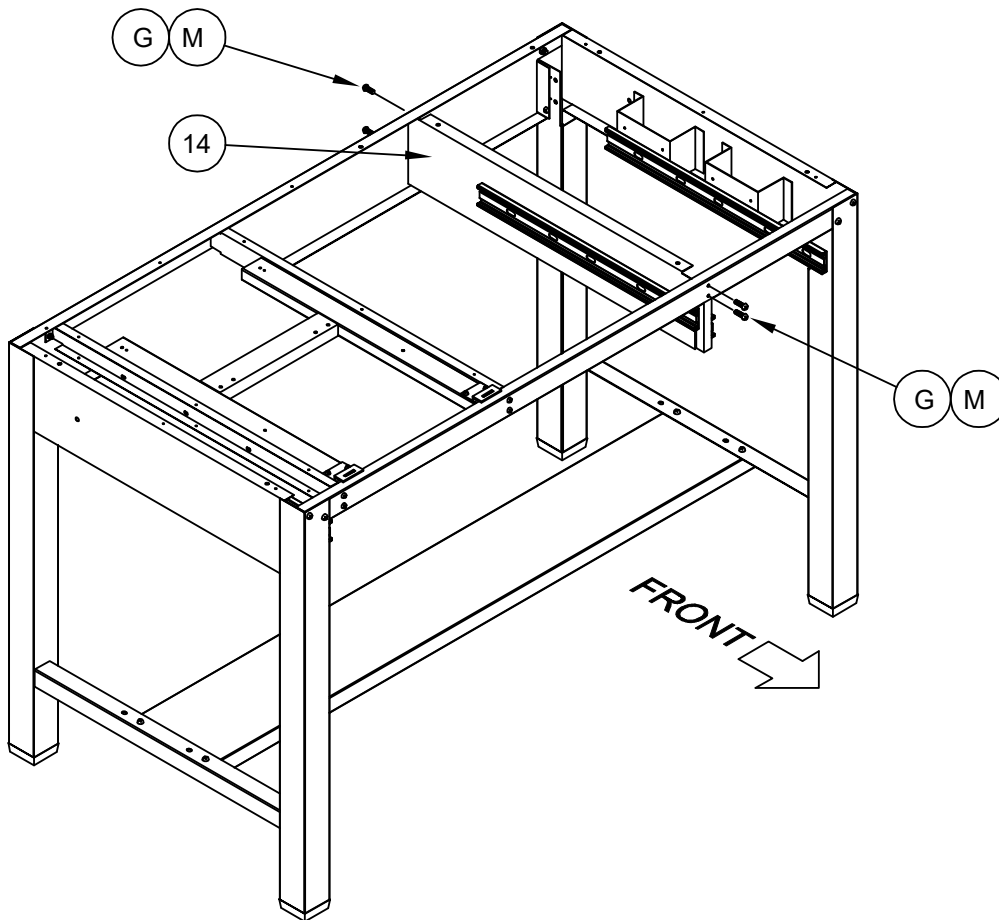
14. Install the Drawer Pull (T) onto the Tool Drawer head using Screws (G).

50/50 Split Top Ranger Table

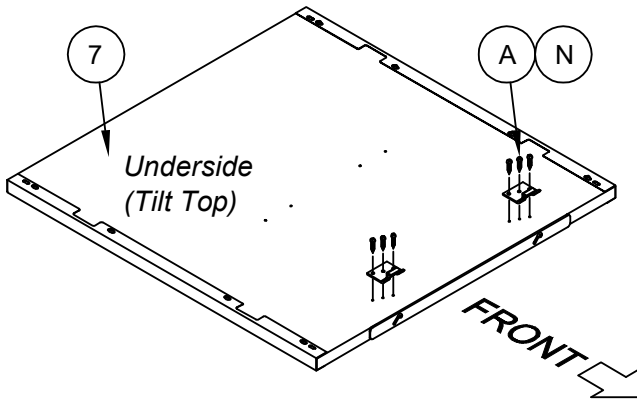
13

"OPTIONAL" Drawer Assembly

G	 X147 PTHMS #10-24 x 3/8"	4
M	 T2 KEPS NUT #10-24	4

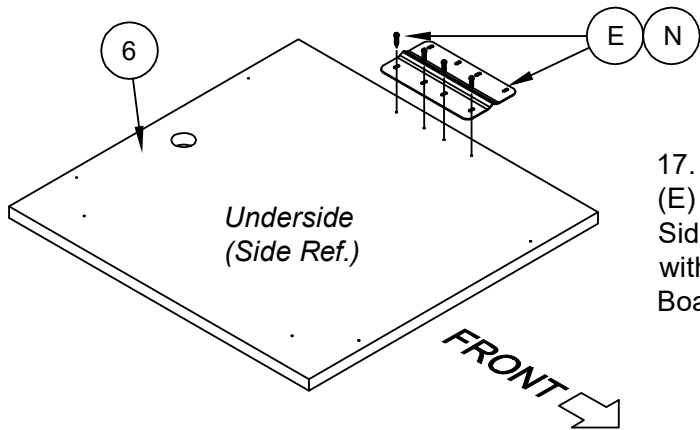


15. Install the assembled Center Support (14) into the Base. Attach the Support with two Screws (F) and two Nuts (M) per front and rear rail.



16. Attach the Upper Hinges (A) to the underside of the Tilt Top (7) with #10 x 3/4 Particle Board Screws (N). Position with the hinge tab toward the front edge of the top.

A	B194 UPPER HINGE	2
N	X11 PAN HEAD SCREW #10 x 3/4 "	6

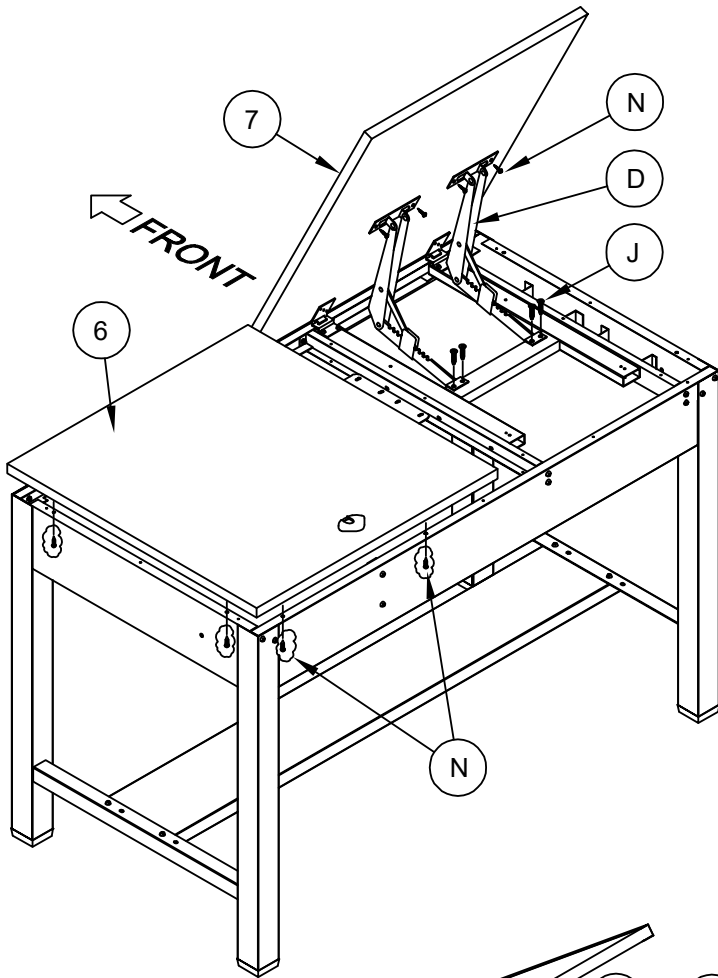


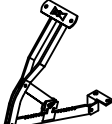

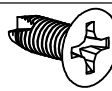
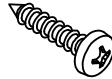

17. Attach the Joining Plate (E) to the underside of the Side Reference Top (6) with #10 x 3/4 Particle Board Screws (N).

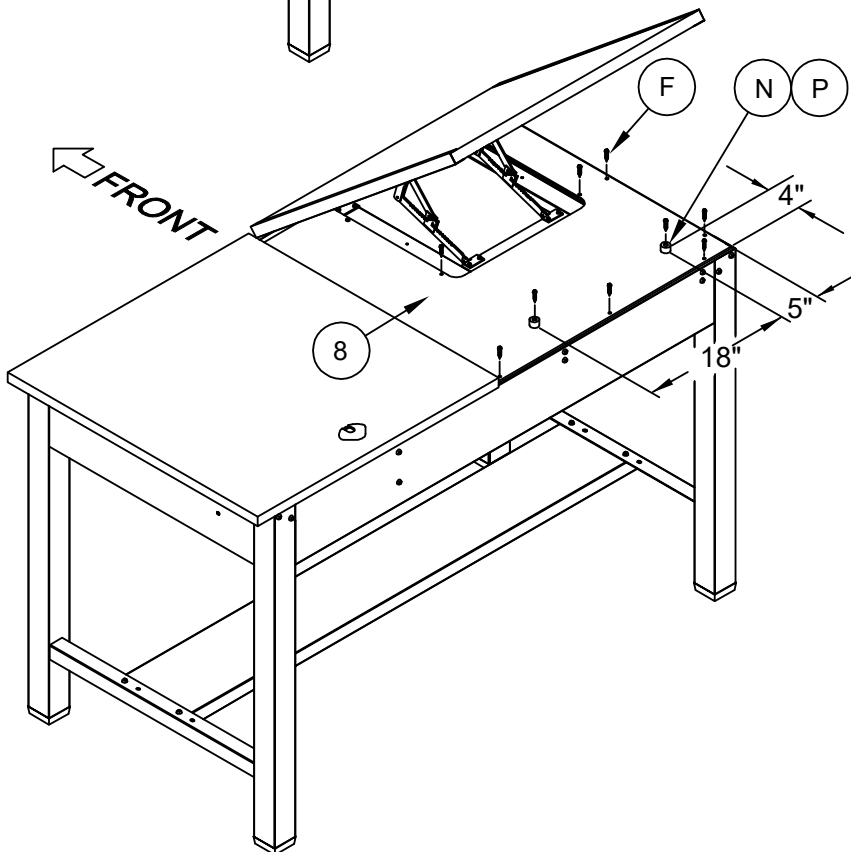
E	B7522 JOINING PLATE	1
N	X11 PAN HEAD SCREW #10 x 3/4 "	4

50/50 Split Top Ranger Table

15



D	 V120A LIFT ASSEMBLY	2
F	 X140A PTHSMS #8 x 5/8"	10
J	 X191 PFHTC #10-32 x 1/2"	4
N	 X11 PAN HEAD SCREW #10 x 3/4 "	6
P	 D10 RUBBER BUMPER	2



19. Attach Lift Assembly (D) to the 'H' Frame cross rail with #10-32 x 1/2 Flat Head Screws (J).

20. Install the Tilt Top (7) onto the table. Raise the Lift Assembly and align the holes in the lift with the holes in the top. Attach with #10 x 3/4 Particle Board Screws (N).

21. Attach the Reference Top (6) to the base with #10 x 3/4 Particle Board Screws (N) through the front and rear rail and through the side rail flange.

22. Attach Dust Cover (8) to base with #8 x 5/8 Screws (F).

23. Attach Top Bumpers (P) to Dust Cover with #10 x 3/4 Screw (N). Position approximately as shown. Measured from edges of dust cover.

24. Install assembled Tool and Reference drawers into table if so equipped.