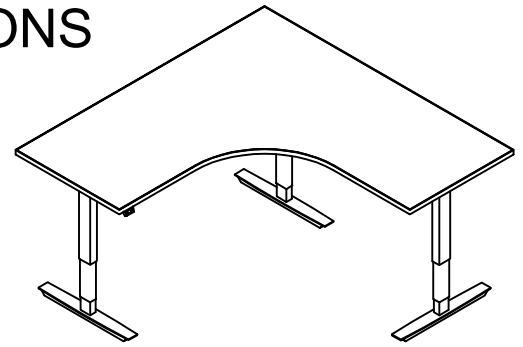
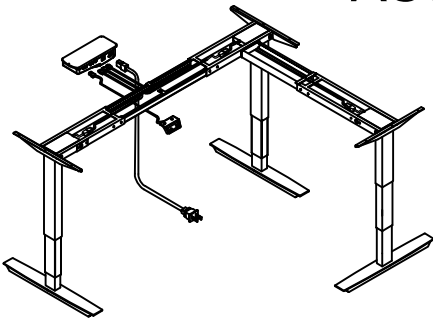


ASSEMBLY INSTRUCTIONS

for TRIPLE COLUMN 3 STAGE BASE



NOTE: Column Assemblies are heavy.
Use care to avoid dropping column or allowing
column assembly to fall during assembly or
damage to internal glide system may occur!

NOTE: Please count and inspect all pieces before disposing of any carton or packing materials.

COMPONENTS: When ordering components, specific size information may be required.
Contact a Mayline Customer Service Representative. 1-800-822-8037

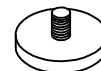
REF. #	QTY.	DESCRIPTION	PART No.
1	3	LIFT ACTUATOR	-
2	3	FOOT	5122FS (22") - 5126FS (26")
3	2	ACTUATOR FRAME	-
4	2	ADJ. CROSS BAR	-
5	1	ACTUATOR FRAME, LEG 3	-
6	1	ADJ. CROSS BAR, LEG 3	-
7	3	TOP SUPPORT BRKT	A9039S
8	1	CONTROL BOX	Z531
9	1	STD. SWITCH	523SC
10	3	MOTOR CABLE	-
11	1	WIRE CHANNEL	-

****OPTIONAL MEMORY SWITCH - 523MC**

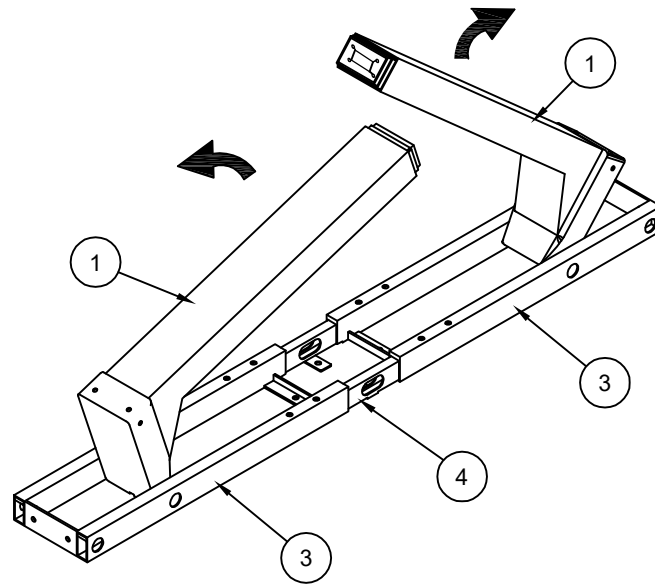
HARDWARE BAG (For any missing components order PART No. A9292)

REF. #	QTY.	DESCRIPTION	
E1	20	M6 x 15mm MACHINE SCREW LOCK WASHER FLAT WASHER	
E2	27	5x20mm PAN HD WOOD SCREW	
E3	12	4mm SET SCREW	
E4	1	4mm HEX WRENCH	

REPLACEMENT LEVELER
PART# Q714



1. Remove the Actuator/Frame Assembly (Parts 1,3,4) from the carton and place on a clean flat surface with the frame down.
2. Carefully unfold the Lift Actuators (1) to the vertical position.



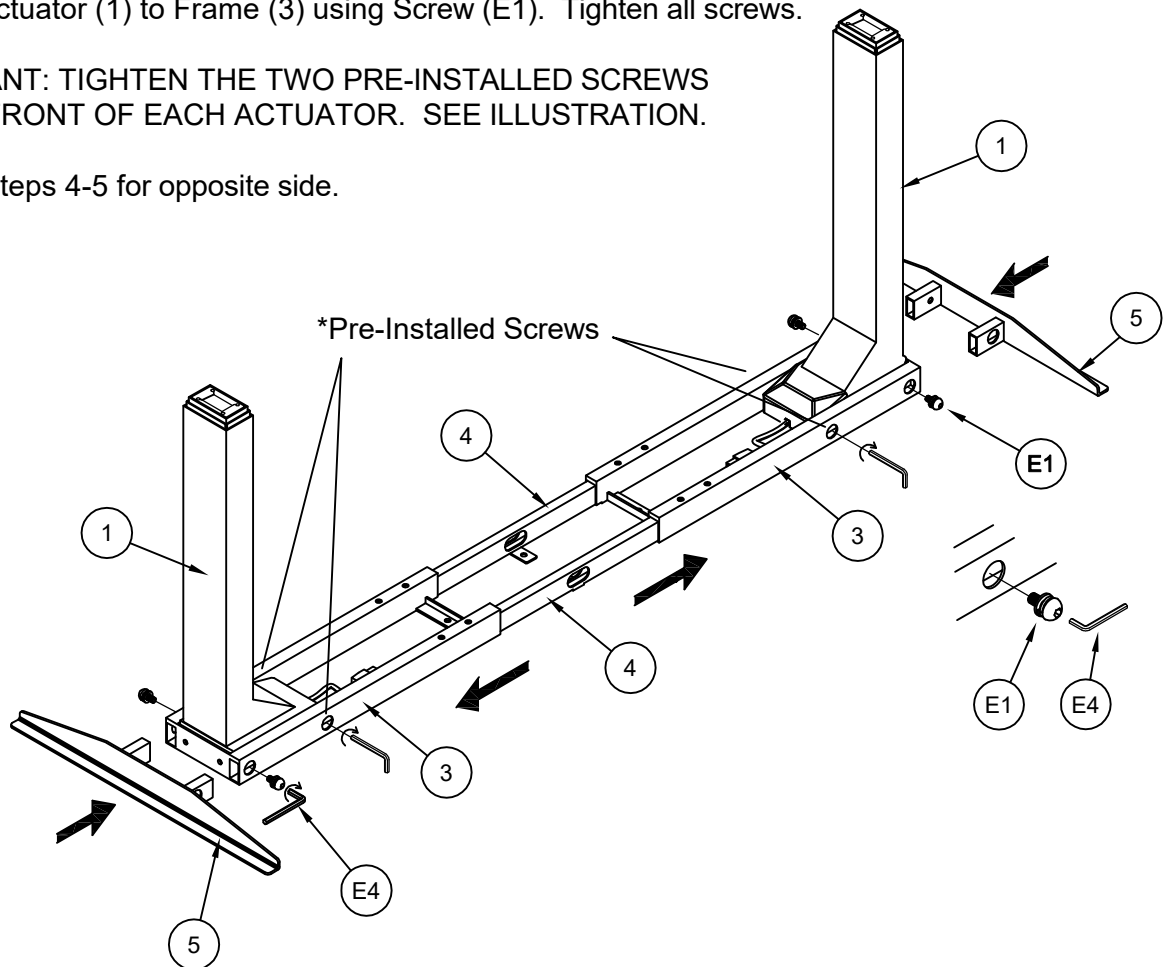
3. Separate Actuator Frames (3) from Adj Cross Bars (4) enough to expose the mounting holes in the Actuator Frame.

4. Insert Top Support Brackets (5) into Frame (3).

5. Fasten Actuator (1) to Frame (3) using Screw (E1). Tighten all screws.

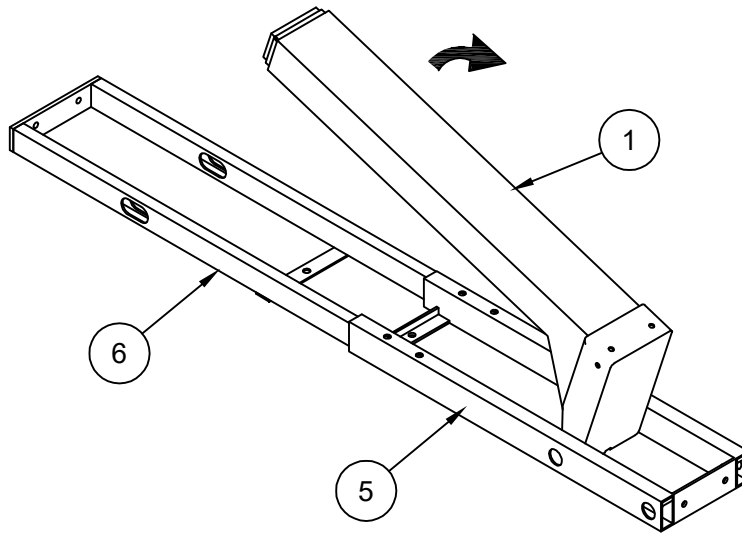
****IMPORTANT: TIGHTEN THE TWO PRE-INSTALLED SCREWS AT THE FRONT OF EACH ACTUATOR. SEE ILLUSTRATION.**

6. Repeat Steps 4-5 for opposite side.



7. Remove the Actuator/Frame Assembly (Parts 1,5,6) from the carton and place on a clean flat surface with the frame down.

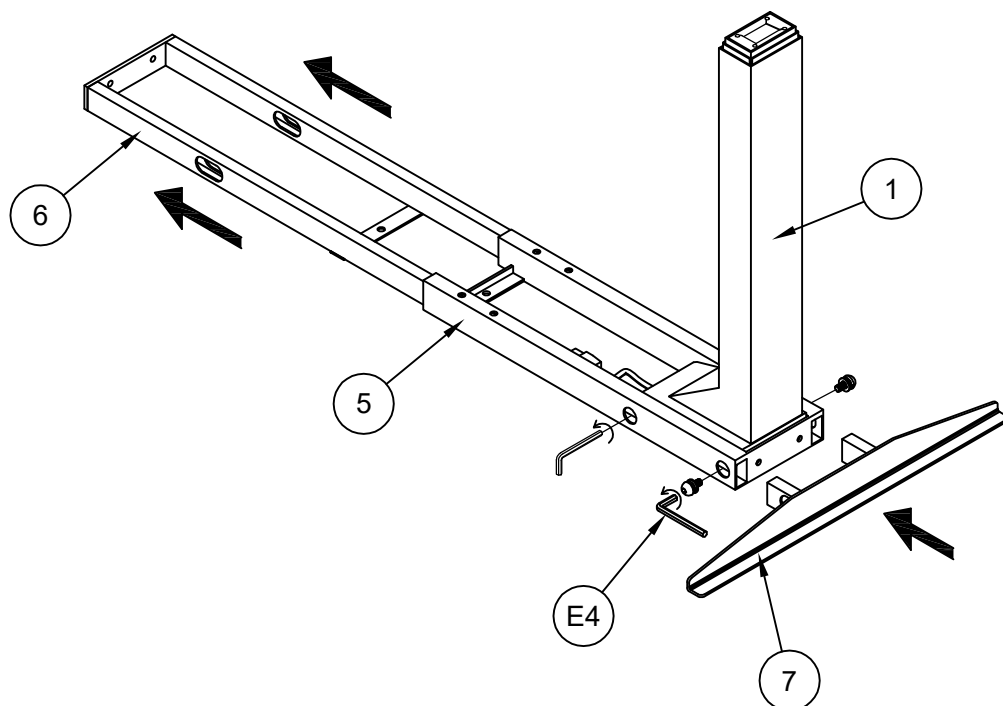
8. Carefully unfold the Lift Actuator (1) to the vertical position.



9. Separate Adj Cross Bar (6) from Actuator Frame (5) enough to expose the mounting holes in the Actuator Frame.

10. Insert Top Support Bracket (7) into Frame (3).

11. Fasten Actuator (1) to Frame (3) using Screw (E1), Qty 2. Tighten all screws, including the pre-installed screws in the Frame.



(3)

12. Place Table Top down on a clean, flat, non-abrasive surface. Place 2 Leg Actuator/Frame assembly in mounting location on top with Mounting Pads facing toward the center.
Note: Use pilot holes and Top Support Brkt as a guide.

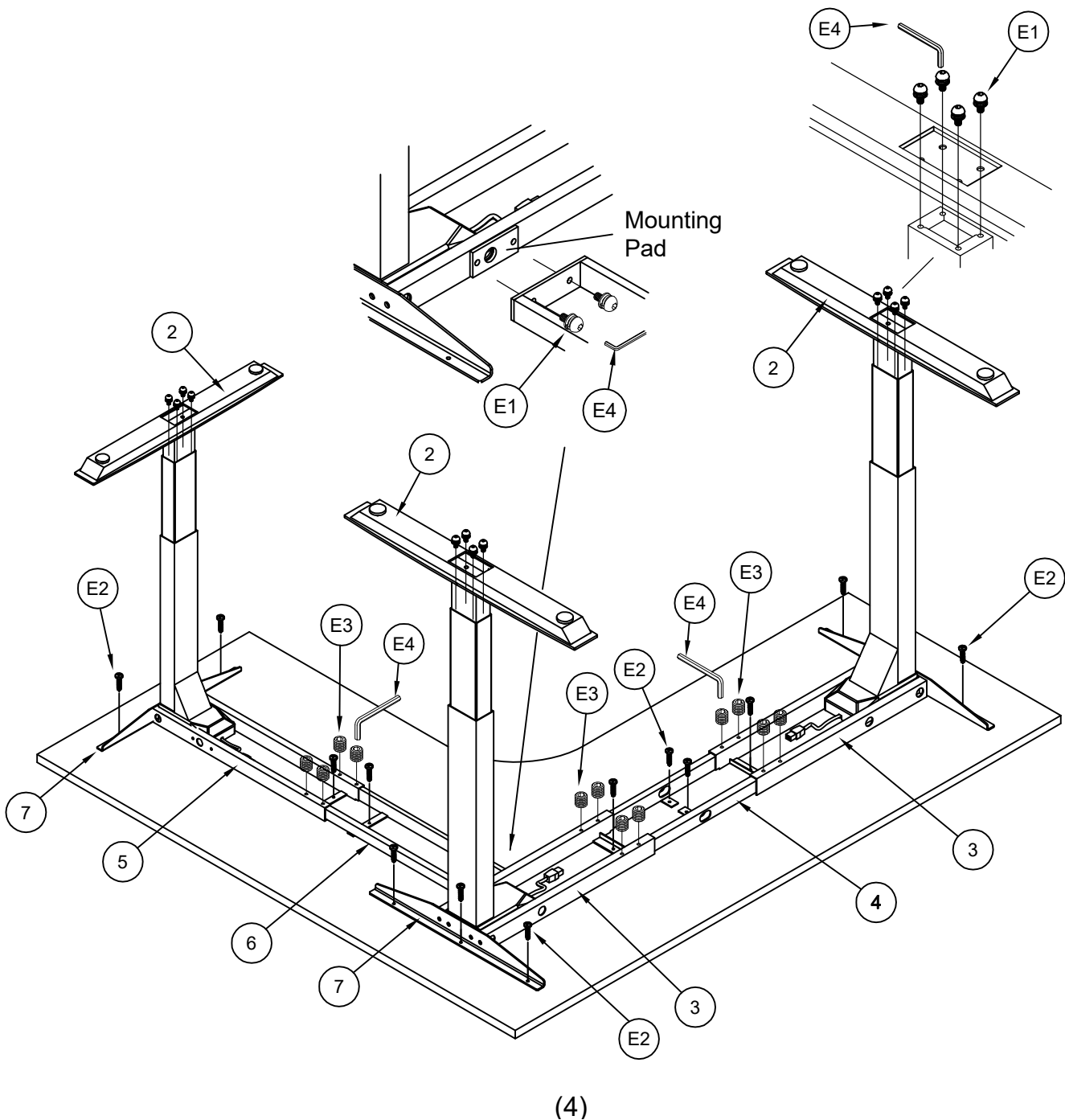
Note: Cross Bar adjustment will be required. Adjust Cross Bar (4) so Mounting Straps are approximately centered in the frame.

13. Attach 3rd Leg Assembly to 2 Leg Base Assembly using Screws (E1), Qty 2, thru Cross Bar (6) into Mounting Pad on Frame (3).

14. Attach Actuator Frames (3,5), Cross Bars (4,6), and Top Support Brackets (7) to Top using Screws (E2), Qty 15. Do Not Over-tighten.

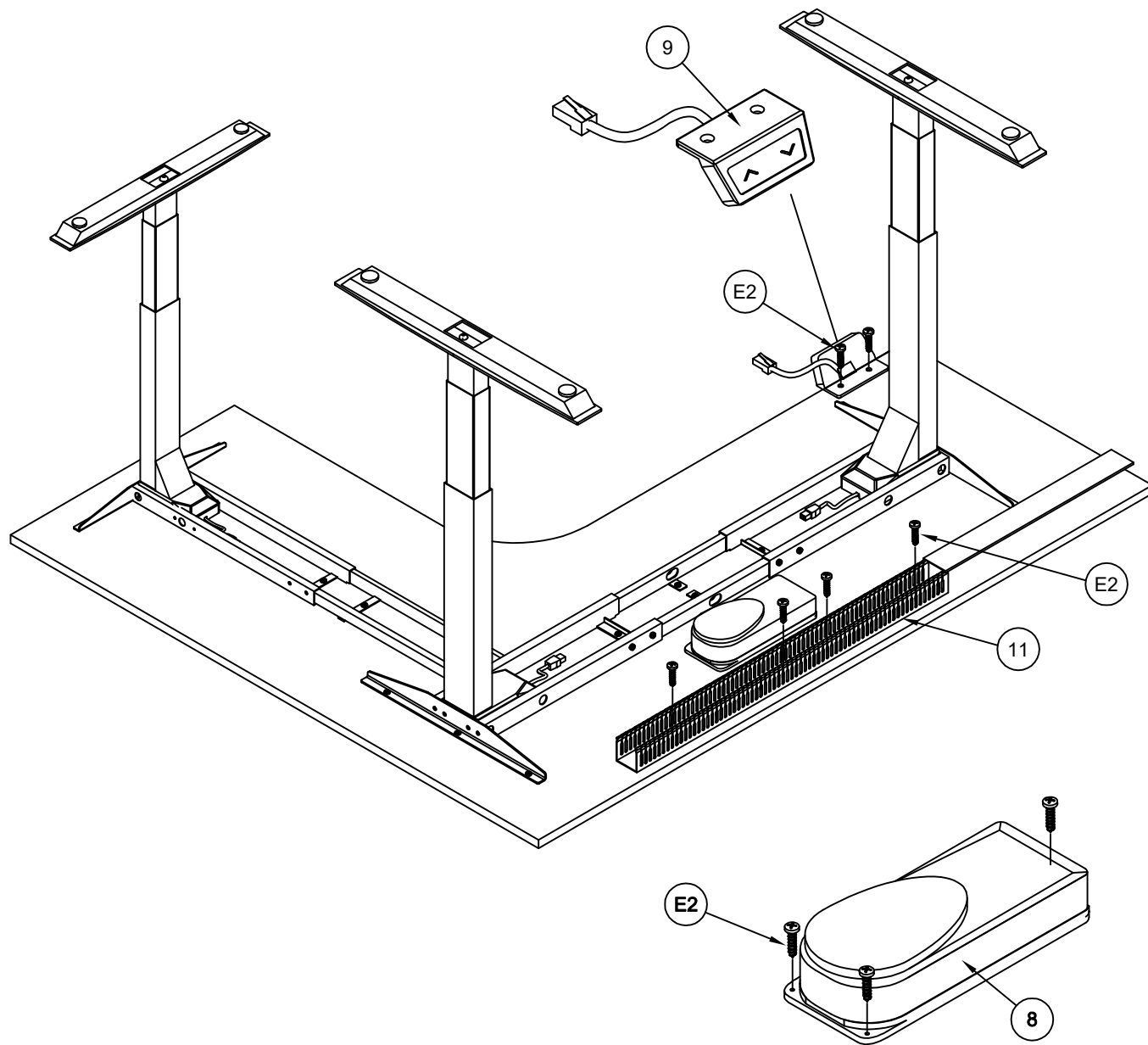
15. Insert and tighten Set Screws (E3), Qty 12, into Frames (3,5). Do Not Over-tighten.

16. Attach Foot (2) to Actuator using Screws (E1), Qty 4 per Foot.



14. Position Switch (9) on desired location on front edge of top, and fasten with Screws (E4), Qty 2.

15. Position Control Box (8) and Wire Channel (11) in desired location, and fasten with Screws (E4), Qty 7.



16. Carefully plug Motor Cables (10), Switch Cord, and Power Cord into matching ports on Control Box. Use the Diagram below as a guide.

17. Using one person per side, Carefully rotate table onto the base.

18. Plug power cord into outlet and proceed with Switch Initialization. See User Manual.

