

ASSEMBLY INSTRUCTIONS
THESIS FLEX SERIES
FLEX BACK STOOL



IMPORTANT!

Review ALL instructions before beginning assembly. These instructions are provided to avoid problems that may occur from improper assembly or installation. Mayline and/or its distributor are not responsible for failure resulting from improper assembly or installation of this product. Moreover, all warranties are void for failure to follow these assembly instructions.

MAYLINE[®]

Mayline Company, LLC
619 N. Commerce, P.O. Box 728
Sheboygan, WI 53082-0728
Toll Free: 1-800-822-8037
FAX: 920-457-7388
On Line: www.mayline.com

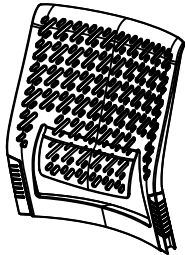
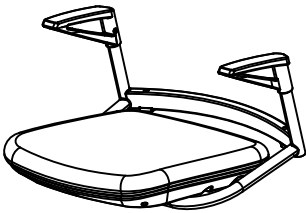

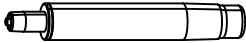
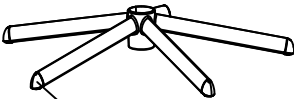
PARTS LIST


When ordering components, specific color and/or size information may be required.
Contact a Mayline Customer Service Representative. 1-800-822-8037


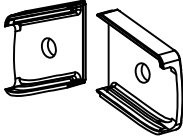

* Individual Items, Order by part number.

** Denotes Color Code

Views for reference only. Actual product may vary.

Reference Letter A* 	Quantity 1
Part Number Back Flex Assembly	
Reference Letter B* 	Quantity 1
Part Number Frame/Seat Assembly	
Reference Letter C* 	Quantity 1
Part Number KNT172 Foot Ring	
Reference Letter D* 	Quantity 1
Part Number KNT173 Cylinder	
Reference Letter E* 	Quantity 1
Part Number KNT174 Base KNT178 Base Cap	

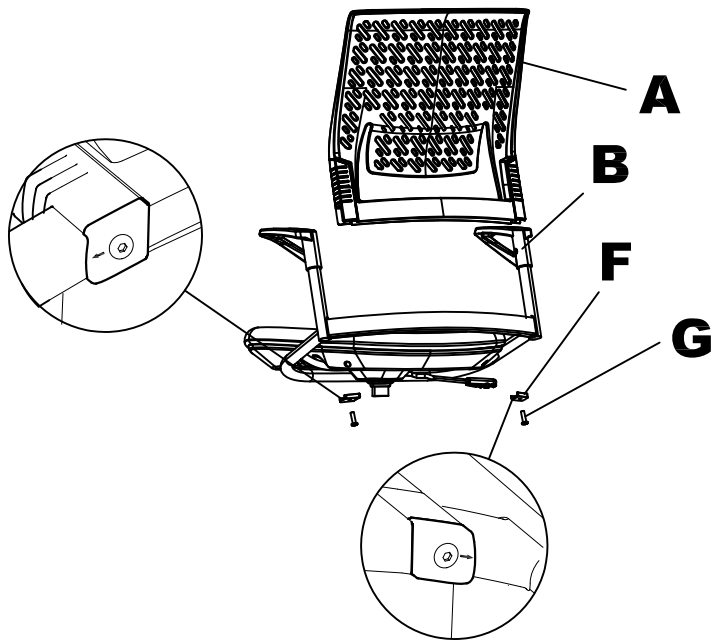
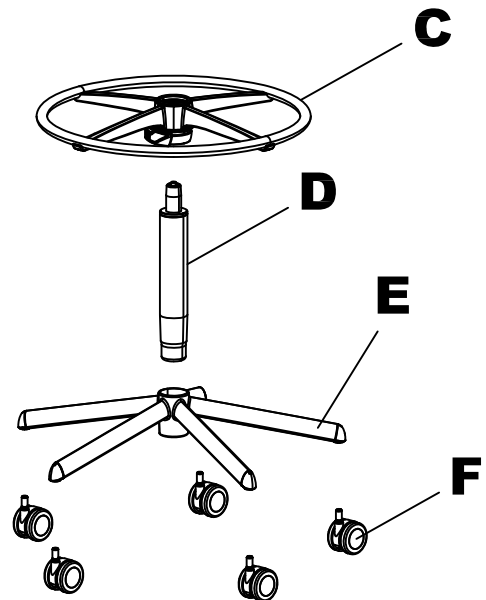
Reference Letter F* 	Quantity 5
Part Number KNT175 Caster (5 pack)	

Part Number KNT153* Hardware Pack (Flex Back)	
Reference Letter G 	Quantity 2
Screw M6 x 20MM	
Reference Letter H 	Quantity 2
Back Mounting Cap, Left, Right	
Reference Letter J 	Quantity 1
Allen Wrench	

1. Place Base (E) upside down and push Casters (F) firmly into base. 5 places.

2. Turn Base right side up and insert Cylinder (D) into center hole of Base.

3. Place Foot Ring (C) over Cylinder. NOTE: Open Quick Release Handle and place to desired height and Close Quick Release Handle to lock in place.

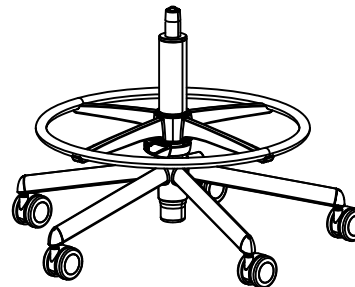


4. Attach Back Assembly (A) to Frame/Seat Assembly (B) using Screw (G) & Back Mounting Cap, Left & Right. (H). 2 Places.

NOTE: See "L" or "R" on Caps and arrows to be assembled outward.



5. Carefully place Seat Assembly onto Base Assembly.



NOTE:

Periodically (Every 90 days) make sure screws are fully tightened.