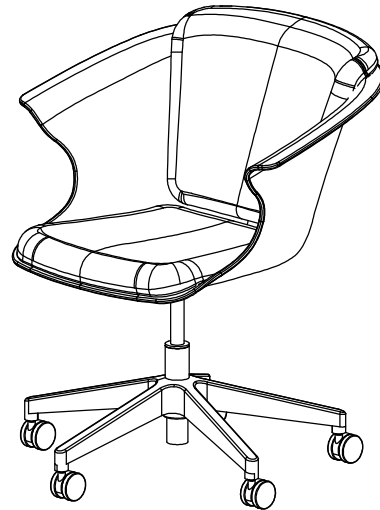
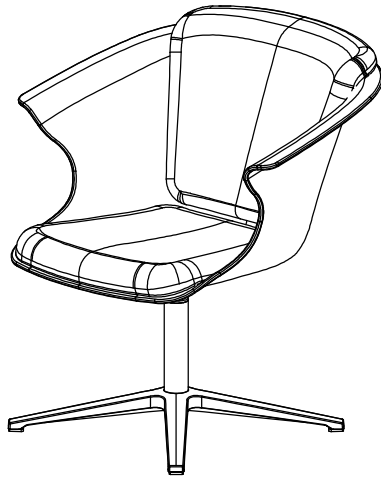


ASSEMBLY INSTRUCTIONS COSY SOCIAL CHAIR



IMPORTANT!

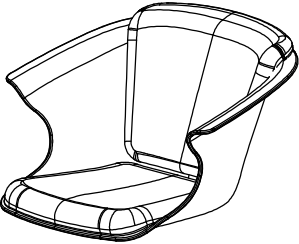
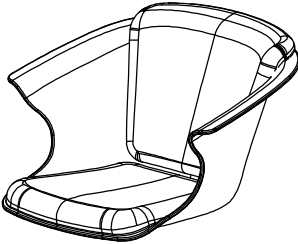


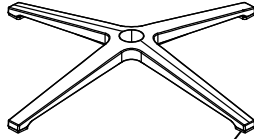
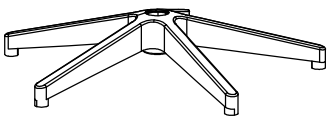

Review ALL instructions before beginning assembly. These instructions are provided to avoid problems that may occur from improper assembly or installation. Mayline and/or its distributor are not responsible for failure resulting from improper assembly or installation of this product. Moreover, all warranties are void for failure to follow these assembly instructions.

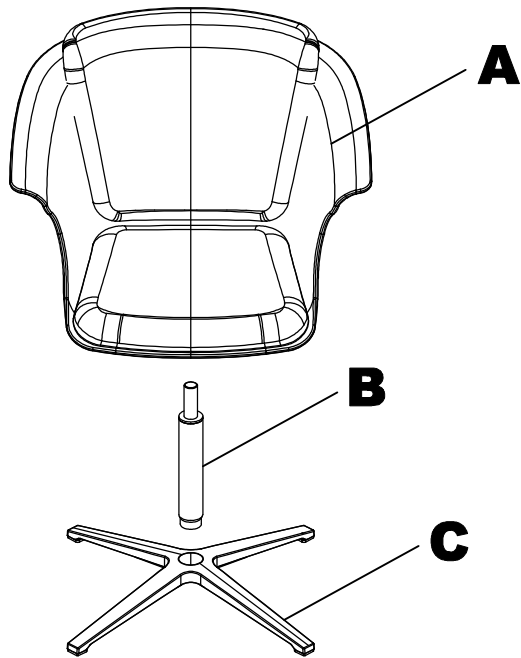
PARTS LIST

When ordering components, specific color and/or size information may be required.
Contact a Mayline Customer Service Representative. 1-800-822-8037

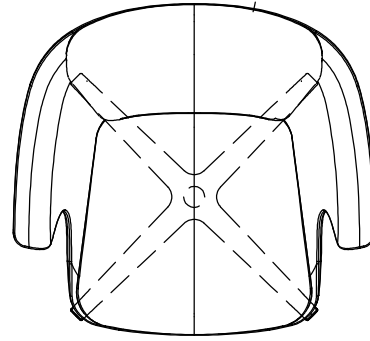
** Individual Items, Order by part number.*

*** Denotes Color Code*

<p>Reference Letter A**</p>  <p>Part Number Back Assembly</p>	<p>Quantity 1</p>	<p>Reference Letter D**</p>  <p>Part Number Back Assembly</p>	<p>Quantity 1</p>
<p>Reference Letter B*</p>  <p>Part Number BN238 Cylinder</p>	<p>1</p>	<p>Reference Letter E*</p>  <p>Part Number BN247 Cylinder</p>	<p>1</p>
<p>Reference Letter C*</p>  <p style="text-align: center;">BN244 PAD KIT</p> <p>Part Number BN245 Base 4-Star</p>	<p>1</p>	<p>Reference Letter F*</p>  <p>Part Number BN238 Base 5-Star</p>	<p>1</p>
		<p>Reference Letter G*</p>  <p>Part Number KNT119 Caster (5 pack)</p>	<p>1</p>

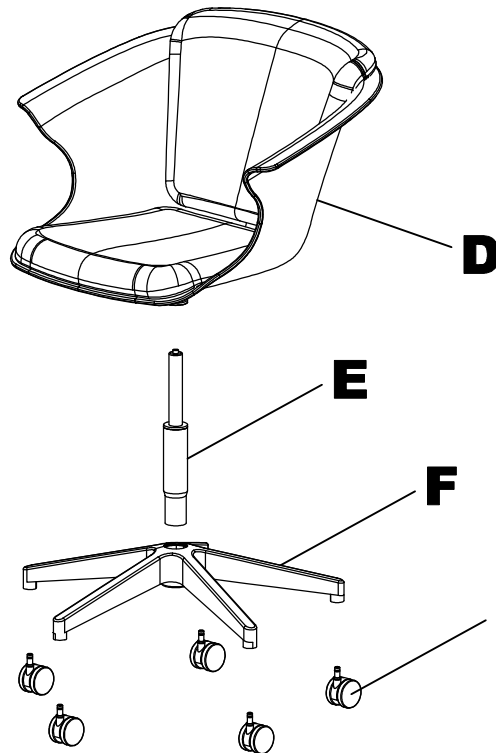


**** IMPORTANT TIP ****



POSITION BASE AS SHOWN WHEN PLACING SEAT ONTO CYLINDER

1. Place Base right side up and insert Cylinder (B) into center hole of Base (C).
2. Carefully place seat assembly onto Base Assembly ****SEE TIP****



1. Place Base (F) upside down and push Casters (G) firmly into base. 5 places.
2. Turn Base right side up and insert Cylinder (E) into center hole of Base (F).
3. Carefully place Seat assembly (D) onto Base Assembly