

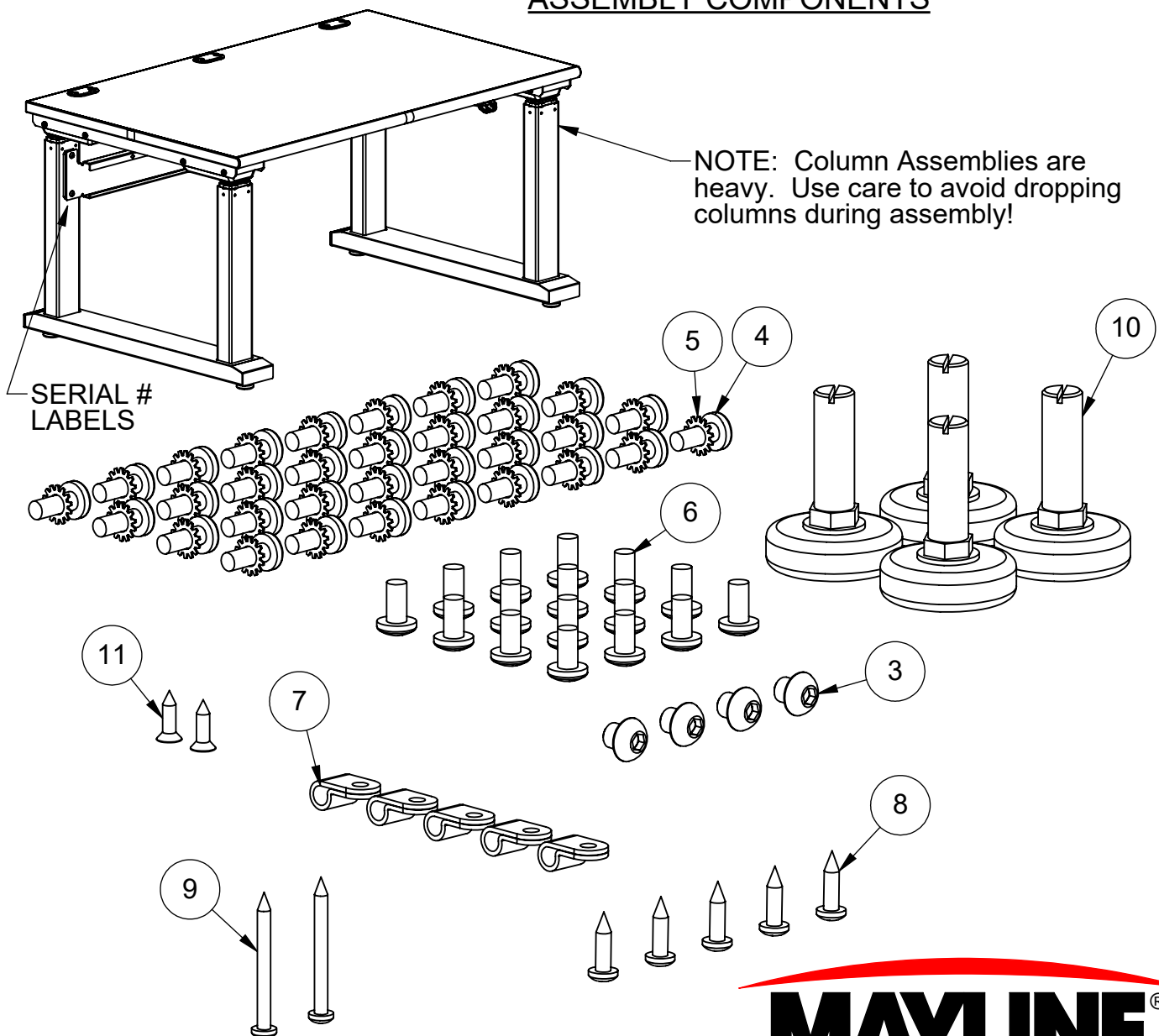
I935

ASSEMBLY INSTRUCTION

INST. SHT. TECHWORKS HGT. ADJ. TABLE

ITEM	PART NO.	DESCRIPTION	QTY
1	E5036R	POLY BAG, 9.00 X 12.00 X 6 MIL	1
2	I935	INST. SHT. TECHWORKS HGT. ADJ. TABLE	1
3	X490	SCREW, M8 X 8MM, SBHCS, BLK	4
4	X474	SCREW, M6 X 16MM, PPHMS, BLK	32
5	W29	WASHER, 1/4, ETLW, BLK	32
6	X352	SCREW, PPHMS 1/4-20 X 0.500, BLK	16
7	F896	CLAMP, CABLE, Ø0.250X0.203	5
8	X11	SCREW, PPH PART, #10 X 0.75, BLACK	5
9	X533	SCREW, PPH PART, #8 X 1.75, BLACK	2
10	Q471	GLIDE, 1/2-13 x 1-1/2 w/ HEX	4
11	918606	SCREW, #8 X 0.63, PFHSMS, ZN	2

HARDWARE BAG (PART No. A9386)
ASSEMBLY COMPONENTS

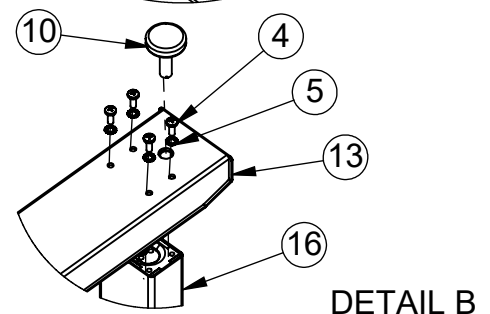
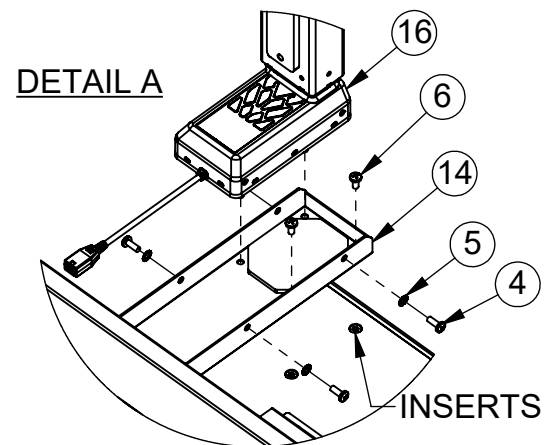
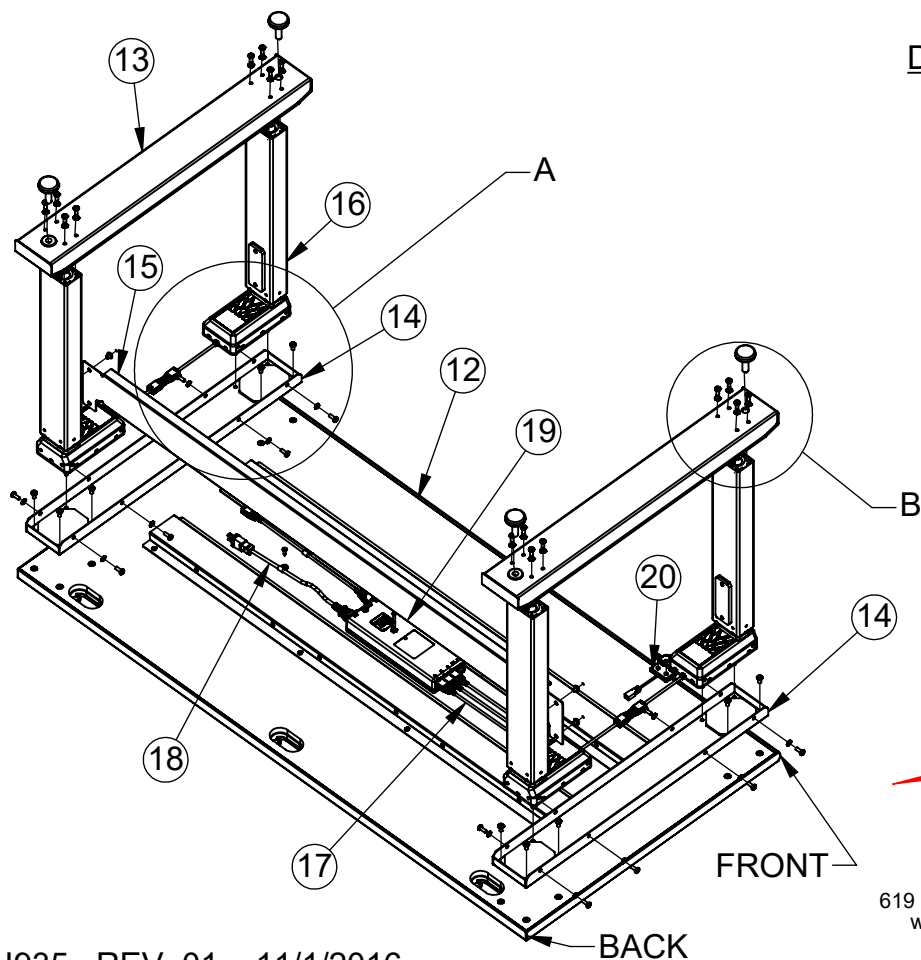


619 N. Commerce, P.O. Box 728 Sheboygan, WI 53082-0728
www.mayline.com 800-822-7388 920-457-7388

ITEM	PART NO.	DESCRIPTION	QTY
12	SEE SIZE	TOP, RECT, HPL, GRM, BULL, BAND	1
13	A9302	DUAL FOOT, WELD ASM	2
14	A9385	BRACKET, LEG WELD ASM	2
15	SEE SIZE	SPREADER, PRODUCT	1
16	Z51601	COLUMN, DL6	4
17	Z465	CABLE, LINAK MOTOR 78.74"	4
18	Z467	MAIN CABLE	1
19	Z542	CONTROL BOX, 4 LEG	1
20	Z458	SWITCH, DPA ASSM	1

COMPONENTS LIST

- 1.) Place top (#12) upside down and place two bracket leg weldments (#14) in position over threaded inserts in top. Assemble weldments to top securely using sixteen 1/4-20 screws (#6). **See detail A.**
- 2.) Place four columns (#16) as shown and fasten to item (#14) with sixteen M6 X 1 screws (#4) and lock washers (#5). Do not securely tighten until later in the assembly. **See detail A.**
- 3.) Place two dual foot weld assemblies (#13) over four columns (#16). Fasten weld foot with sixteen M6 X 1 (#4) screws and lock washers (#5). Do not securely tighten until later in assembly. **See detail B.**

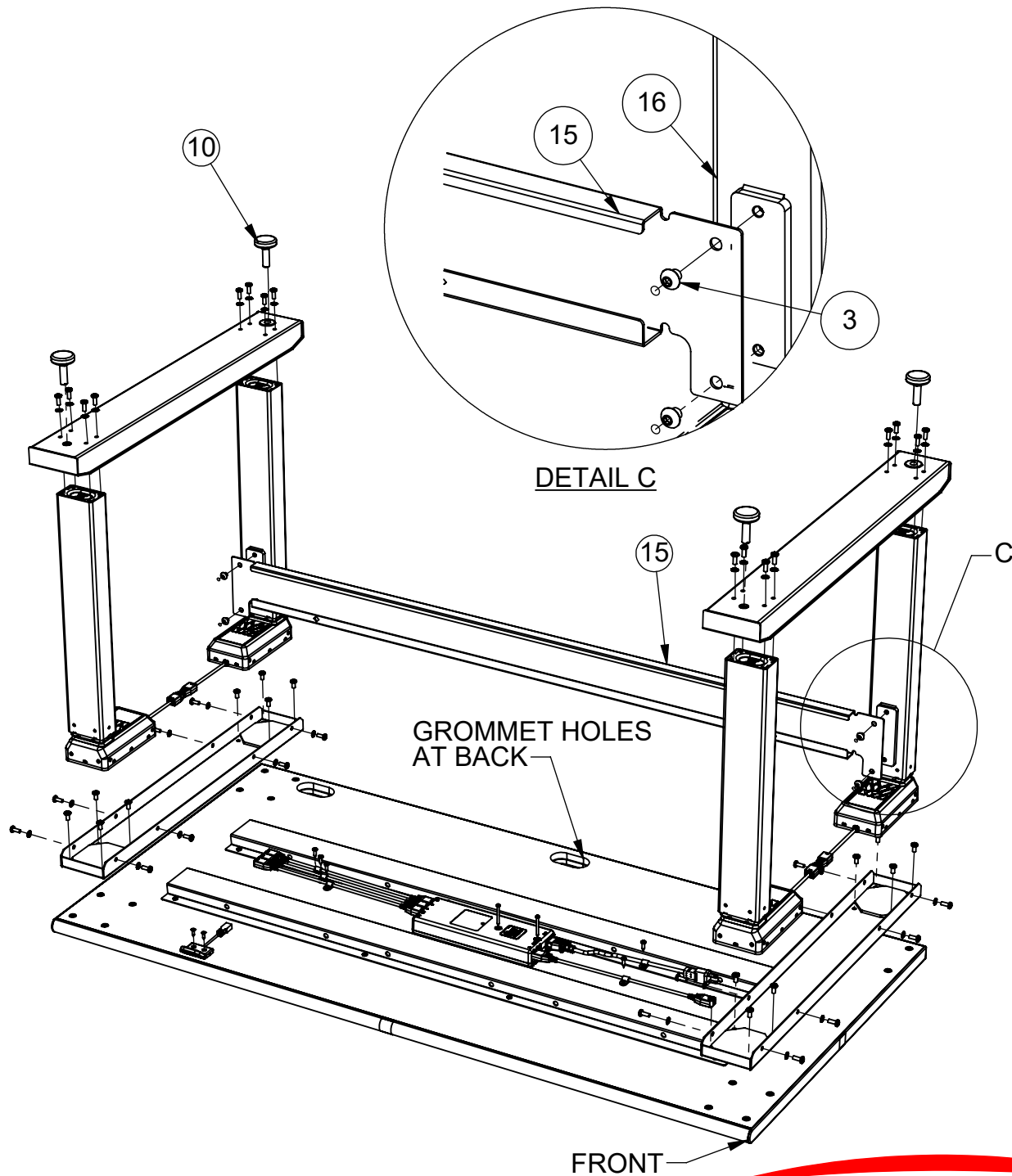


MAYLINE®

619 N. Commerce, P.O. Box 728 Sheboygan, WI 53082-0728
 www.mayline.com 800-822-7388 920-457-7388

4.) Place spreader (#15) to align with holes in columns (#16) and secure with four M8X8 screws (#3). Spreader to be located at back of table. **See detail C.**

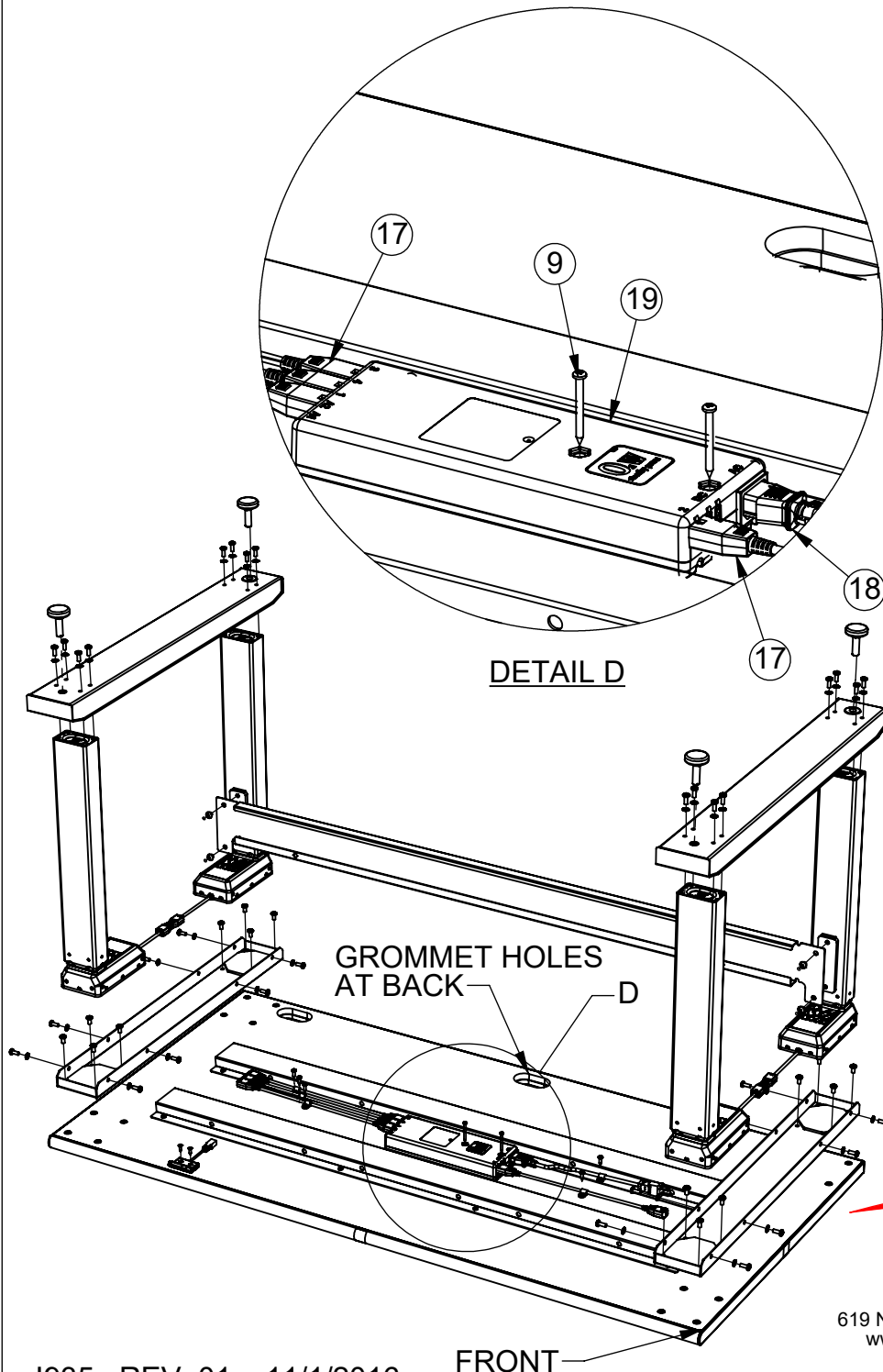
5.) Tighten all screws securely in above steps. Install glides (#10) into threaded holes at btm.(Qty 4) **See detail B.**



MAYLINE[®]

619 N. Commerce, P.O. Box 728 Sheboygan, WI 53082-0728
www.mayline.com 800-822-7388 920-457-7388

- 6.) Place control box (#19) at bottom of table between hat channels. Secure with two #8 x1.75 screws (#9) to the top. **See detail D, G, H.**
- 7.) Locate four motor cables (#17) one for each of the legs. Plug cables into control box (#19); three plugs on one side; and one plug on other side of control box. Locate four cable clamps (#7) around cables and affix to underside of table with four screws #10 x 3/4 (#8); locating cables to prevent tangling. Plug other end of 4 motor cables (#17) into each of the 4 leg column cables.
- See detail D, E, H, G**
- 8.) Locate main power cable (#18) and plug into control box (#19). Locate one cable clamp (#7) around power cable and affix to underside of table with one screw #10 x3/4 (#8). **See detail D, G.**

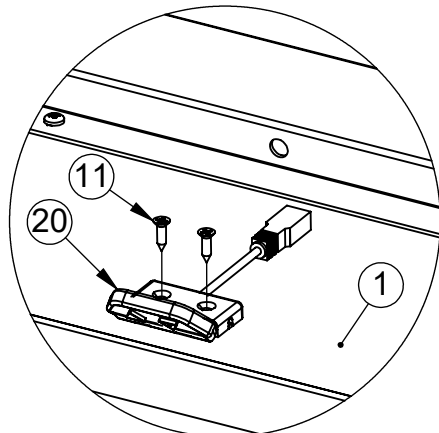
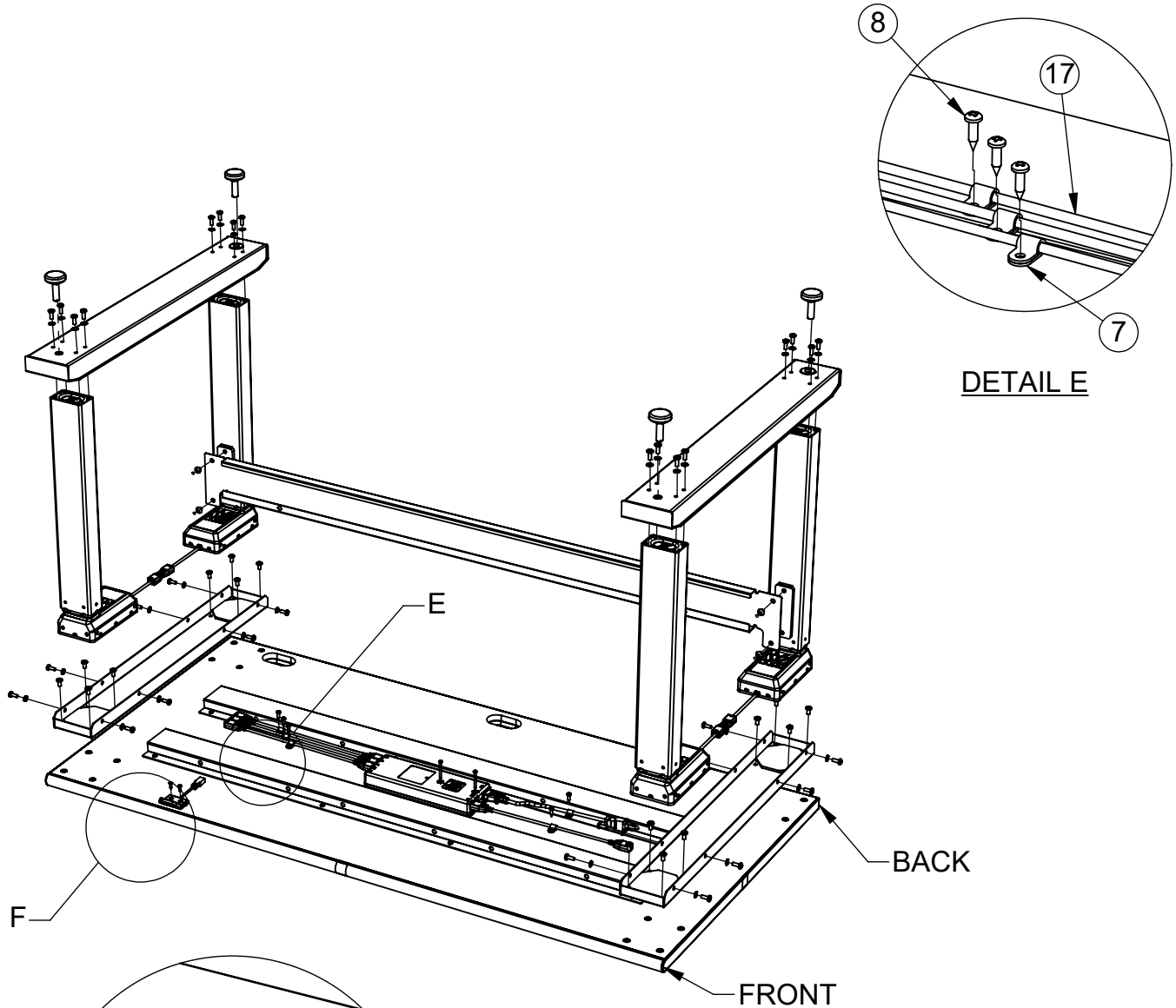


MAYLINE®

619 N. Commerce, P.O. Box 728 Sheboygan, WI 53082-0728
www.mayline.com 800-822-7388 920-457-7388

9.) Locate switch DPA (#20) and place the switch in a comfortable and accessible location on the underside of the Top near the front edge and attach with two screws #8 x 5/8 (#11). Plug switch cord into the control box (#19). **See detail F, J.**

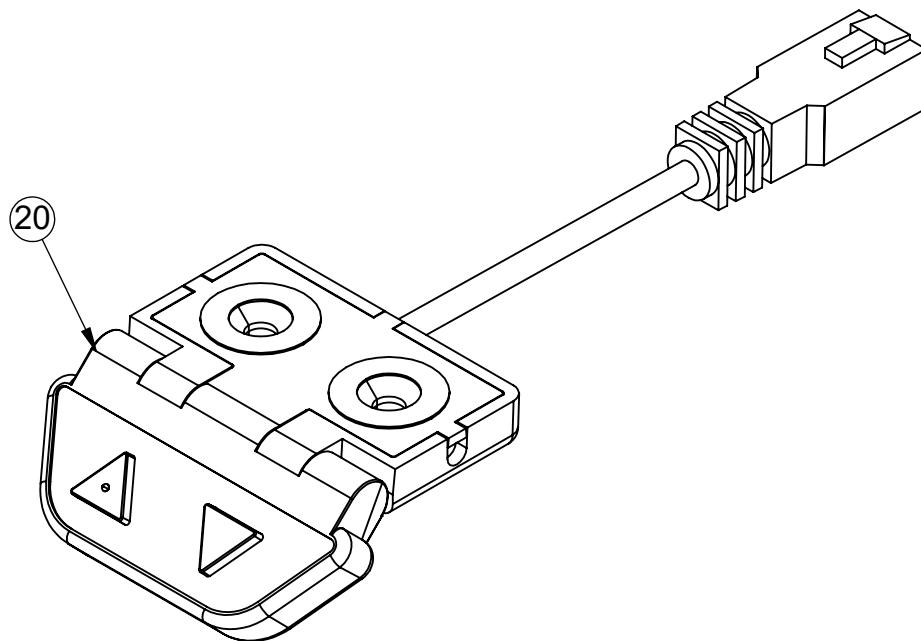
10.) Turn table over and place on levelers.



DETAIL F



619 N. Commerce, P.O. Box 728 Sheboygan, WI 53082-0728
 www.mayline.com 800-822-7388 920-457-7388



NOTE: Prior to INITIALIZATION of the system, the base must be level. This can be done by adjusting the leg glides. Make sure edge of table is positioned at least 1.0" from any other object to avoid any pinch points.

11.) Initialize system by pressing "DOWN" arrow and holding 5 to 10 seconds after table bottoms out.

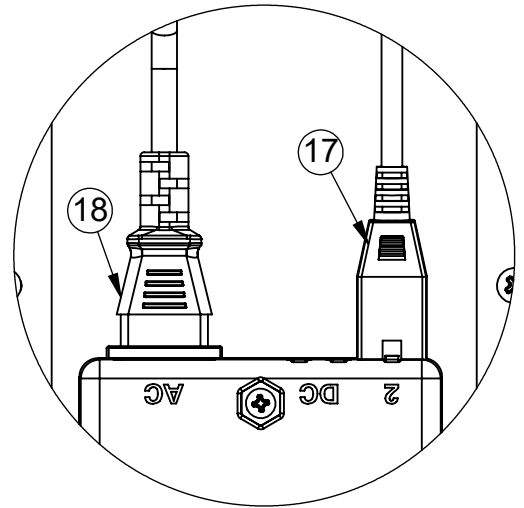
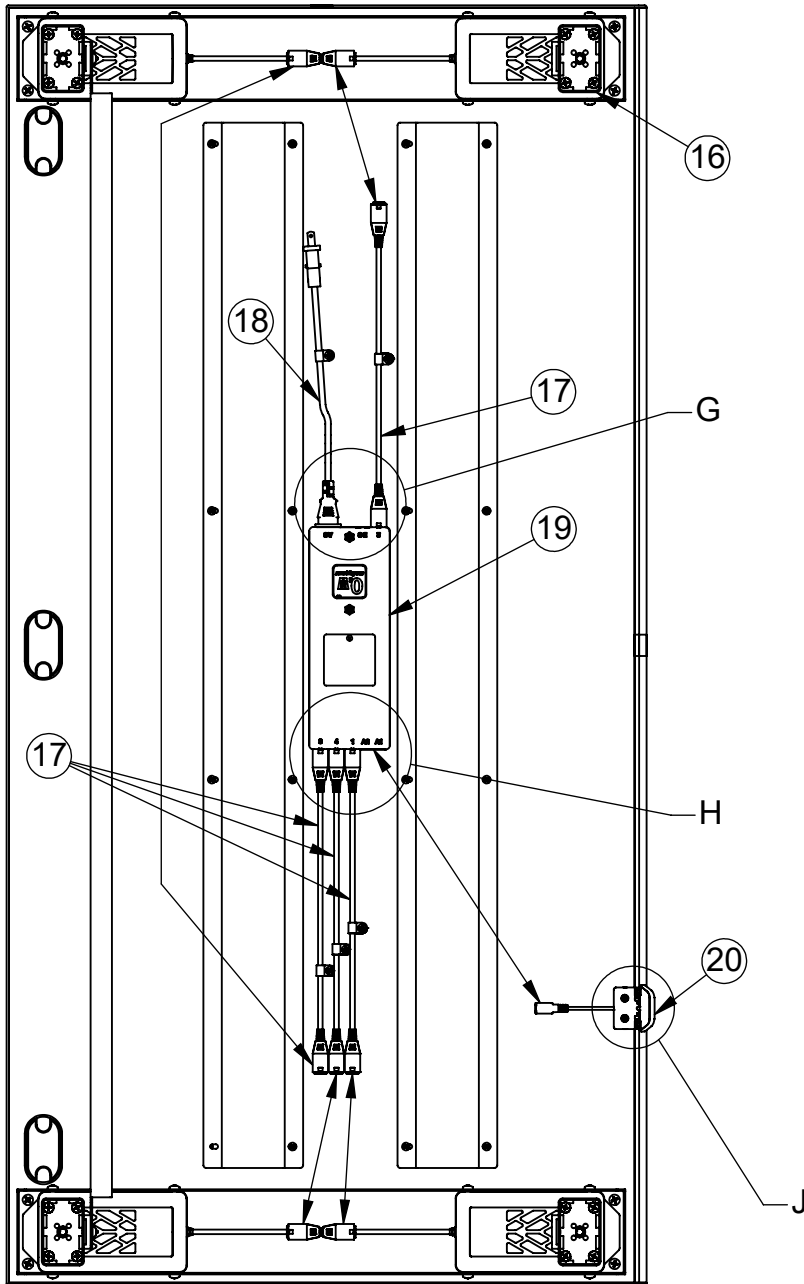
12.) Push "UP" arrow to desired height.

MAX LOAD SPECIFICATIONS

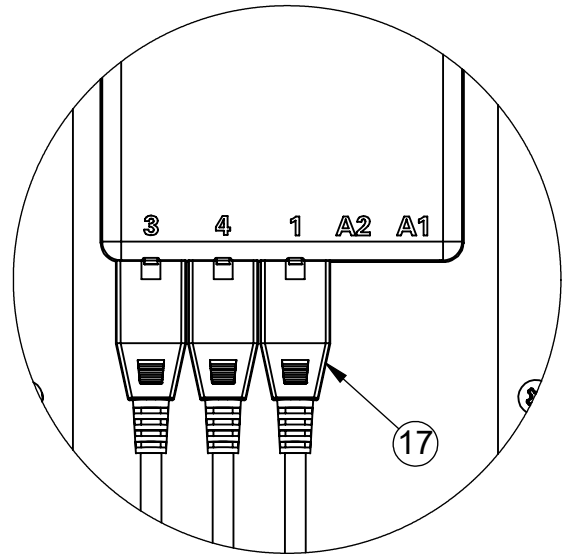
MAX. Load= 1,000 lbs. evenly distributed on worksurface top.



619 N. Commerce, P.O. Box 728 Sheboygan, WI 53082-0728
www.mayline.com 800-822-7388 920-457-7388

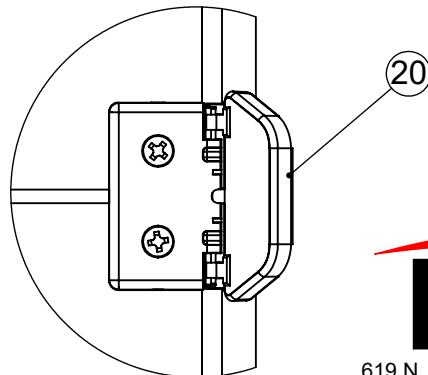


DETAIL G



DETAIL H

BOTTOM VIEW ELECTRIC
CABLE LAYOUT



DETAIL J

