



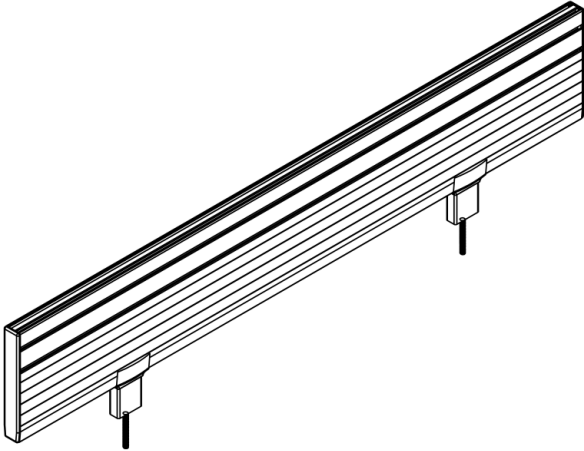




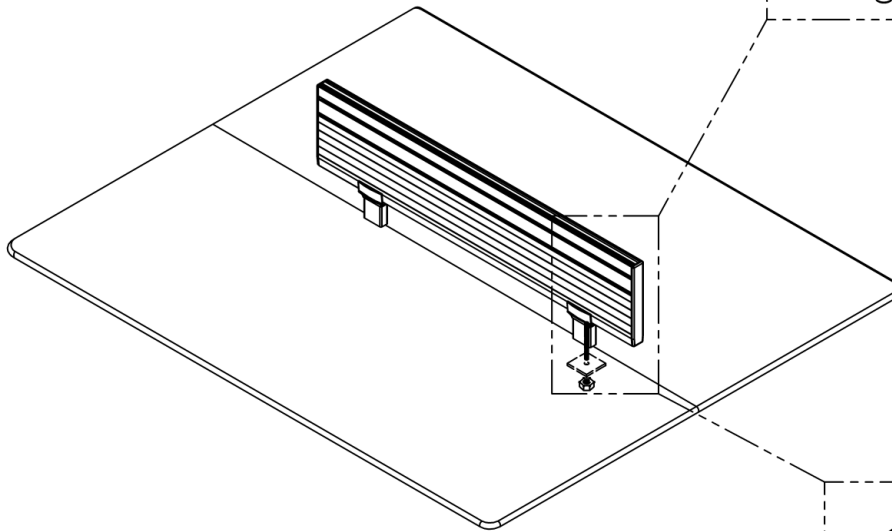
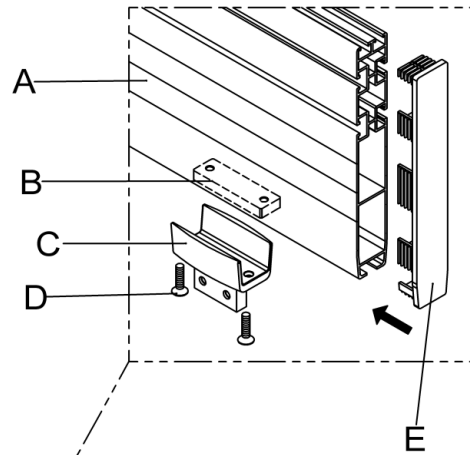
EVEN™ SLAT WALL INSTALL INSTRUCTIONS

LDSW**

TOOLS REQUIRED:	
	DRILL DRIVER - #2 PHILLIPS BITS 5/16" OR 3/8" DRILL BIT
	#2 PHILLIPS SCREWDRIVER
	TAPE MEASURE
	ADJUSTABLE WRENCH



1. ASSEMBLE ITEMS B, C, D TO ITEM A. LEAVE LOOSE FOR LATER ADJUSTMENT. IF ALSO INSTALLING OPTIONAL ACOUSTIC PANEL, DO NOT INSTALL ITEM E AT THIS TIME. INSTALL AFTER ACOUSTIC PANEL IS COMPLETE.



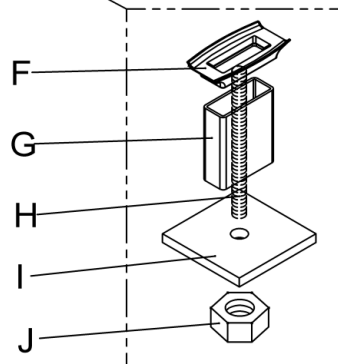
2. SLIDE B, C, D, ASSEMBLY ALONG A SLATWALL TILL REACHING DESIRED LOCATION. CHECK FOR ANY HOLES OR UNDERSURFACE OBSTRUCTION.

3. TIGHTEN D SCREWS WHEN AT DESIRED LOCATION.

4. ASSEMBLE F, G, AND H TO THE UNIT.

5. MARK DESIRED LOCATION AND DRILL 5/16 OR 3/8 HOLE IN TOP

6. INSERT INTO HOLE AND TIGHTEN TO TOP AS SHOWN.



THE SLATWALL IS NOT LIMITED TO MOUNTING ON THE EVEN™ DESKING LINE. IT CAN BE INSTALLED ON A NUMBER OF DIFFERENT TABLES AND TOPS. CONSULT CUSTOMER SERVICE FOR DETAILS.



619 N. Commerce P.O. Box 728, Sheboygan, WI 53082-0728
 www.mayline.com 800-822-8037 Fax 920-457-7338