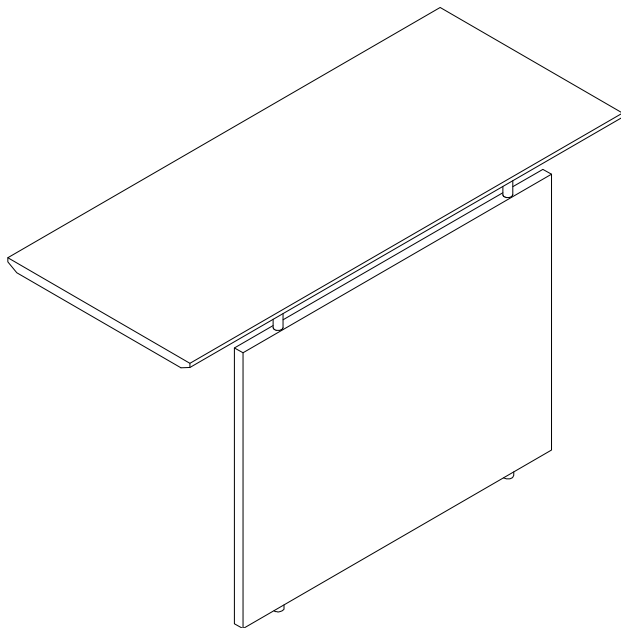








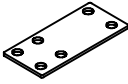
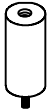
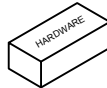
Medina Series <sup>TM</sup>  
 48" Universal Straight Bridge  
 Model No. MNBDG



ASSEMBLY INSTRUCTIONS  
 CALL 1-800-822-8037 FOR ASSISTANCE

# PARTS LIST

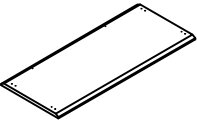
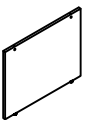
Name	Part	Qty.	Spare Qty
<b>A</b>	 <b>REALS003</b> Cam Post	<b>2</b>	<b>1</b>
<b>B</b>	 <b>REALS001</b> Cam Lock	<b>2</b>	<b>1</b>
<b>C</b>	 <b>REALS005</b> 4 x 16mm	<b>24</b>	<b>1</b>
<b>D</b>	 <b>REALS102**</b> Cam Sticker	<b>2</b>	<b>1</b>

Name	Part	Qty.	Spare Qty
<b>E</b>	 <b>REALS406</b> Mntg Plate	<b>4</b>	
<b>F</b>	 <b>REALS414</b> Base Stand-Off	<b>2</b>	
	 <b>MNBDGHB</b>		

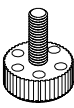
Items with HB are in hardware box.

\*\*Denotes Color Code

# PARTS LIST

Name	Part	Qty.	Name	Part	Qty.
<b>G</b>	 <b>MNBDG** Top</b>	<b>1</b>	<b>H</b>	 <b>MNBDG** Modesty Panel</b>	<b>1</b>

## Pre-Assembled Replacement Part List

Replacement #	Part	Qty.
<b>REALS425</b>	 <b>Leveler</b>	<b>2</b>

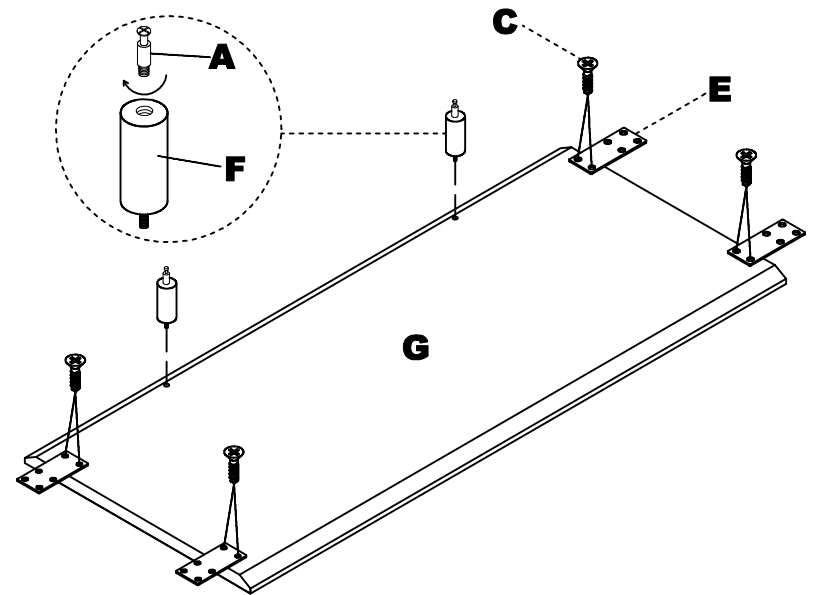
\*\*Denotes Color Code

**2**

## IMPORTANT!

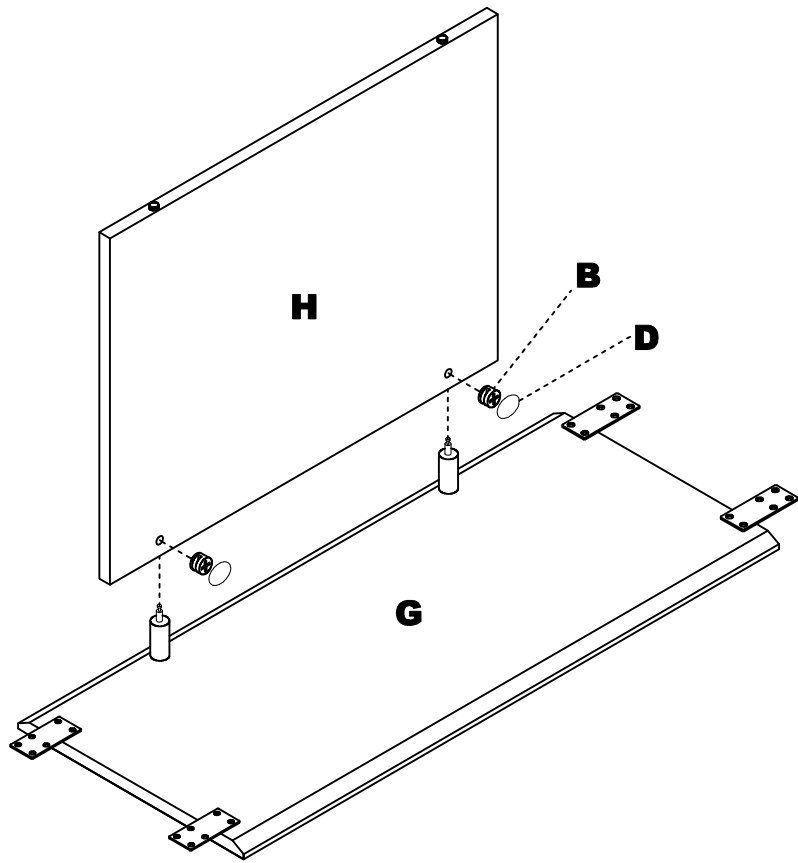
**Review ALL instructions before beginning assembly.** These instructions are provided to avoid problems that may occur from improper assembly or installation. Mayline and/or its distributor are not responsible for failure resulting from improper assembly or installation of this product. Moreover, all warranties are void for failure to follow these assembly instructions.

- 1 Install Base Stand-off (F) into threaded inserts in underside of Top (G). Attach Mntg Plates (E) to the underside of adjacent Top (G) using Screws (C).



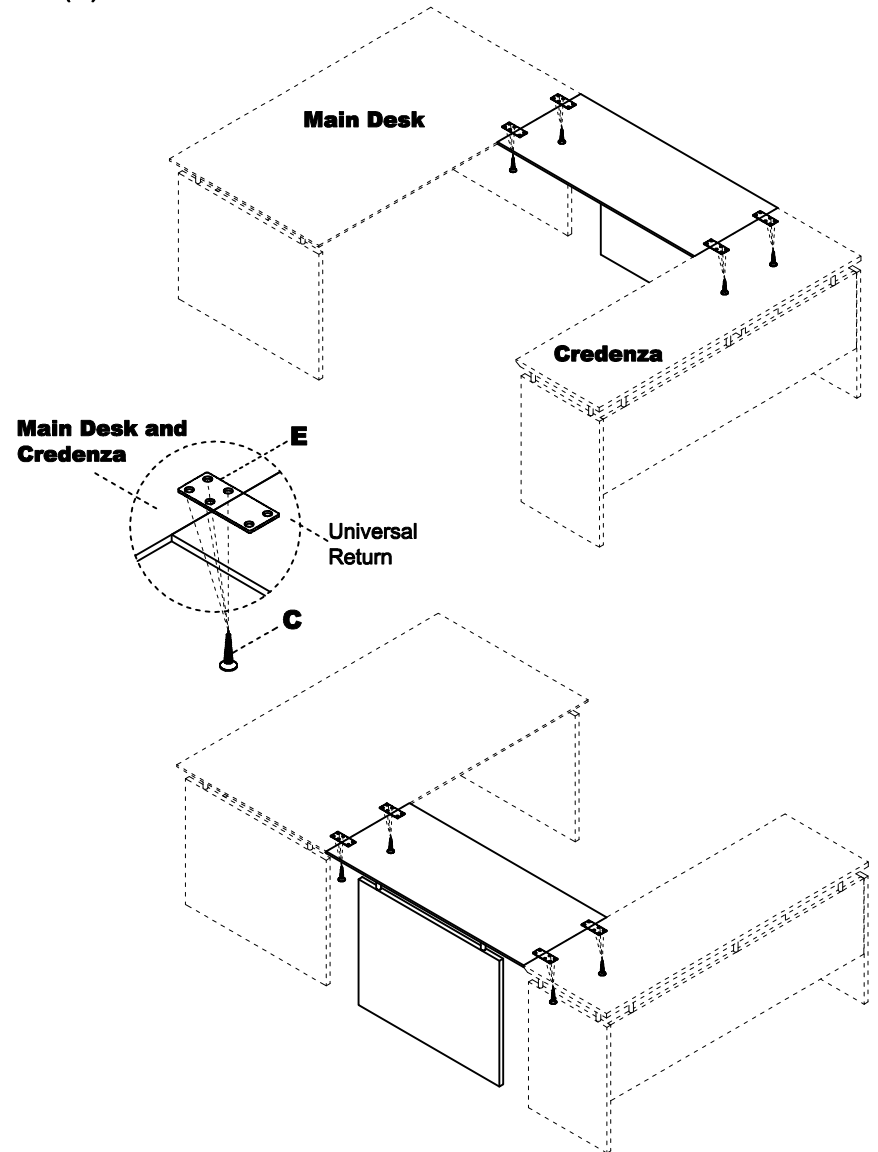
**3**

- ② Place Modesty Panel (H) onto Tops (G) and lock in place by turning Cams (B). Apply Cam Stickers ( D ) to Cams (B) .



4

- ③ Attach MNBDG to the Straight Main Desk and Credenza using Screws (C).



5