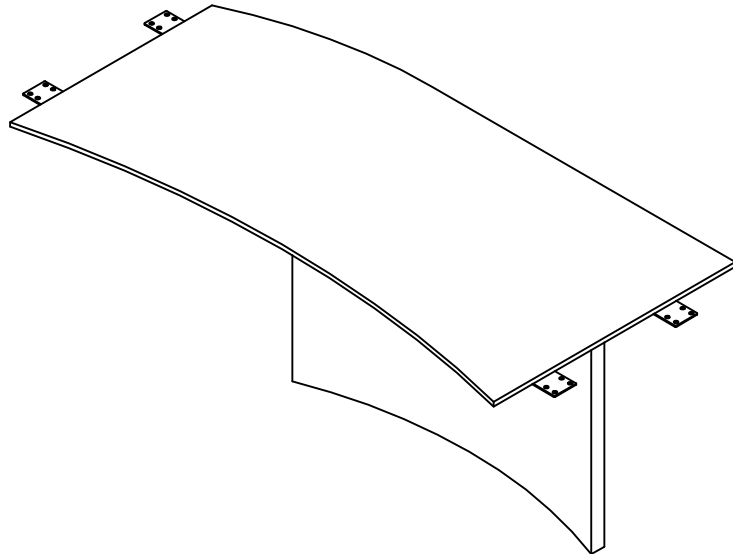








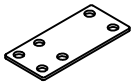

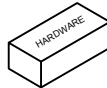
Medina Series TM
 Bridge, Right
 Model No. MNBDGR



ASSEMBLY INSTRUCTIONS
 CALL 1-800-822-8037 FOR ASSISTANCE

PARTS LIST

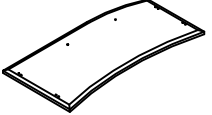
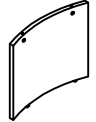
Name	Part	Qty.	Spare Qty
A	 REALS003 Cam Post	2	1
B	 REALS001 Cam Lock	2	1
C	 REALS005 4 x 16mm	24	1
D	 REALS102** Cam Sticker	2	1

Name	Part	Qty.	Spare Qty
E	 REALS406 Mntg Plate	4	
F	 REALS414 Base Stand-Off	2	
	 MNBDGHB		

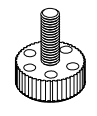
Items with HB are in hardware box.

**Denotes Color Code

PARTS LIST

Name	Part	Qty.	Name	Part	Qty.
G	 MNBDGR** Top	1	K	 MNBDGK** Modesty Panel	1

Pre-Assembled Replacement Part List

Replacement #	Part	Qty.
REALS425	 Leveler	2

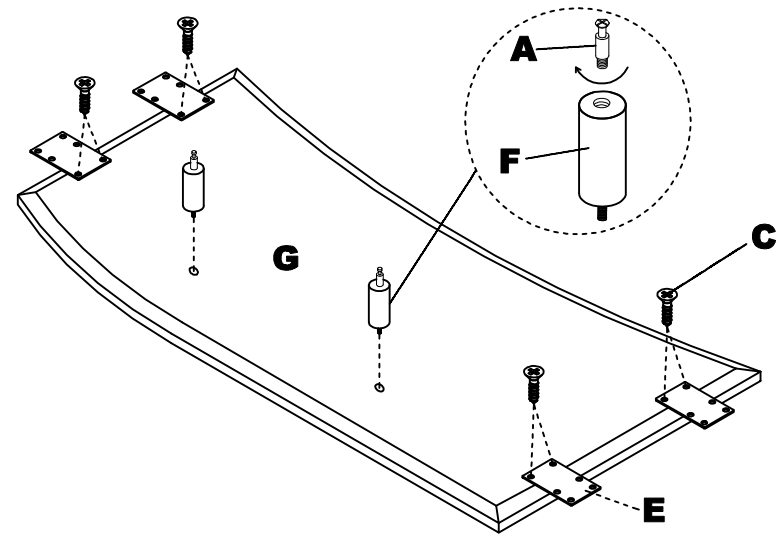
**Denotes Color Code

2

IMPORTANT!

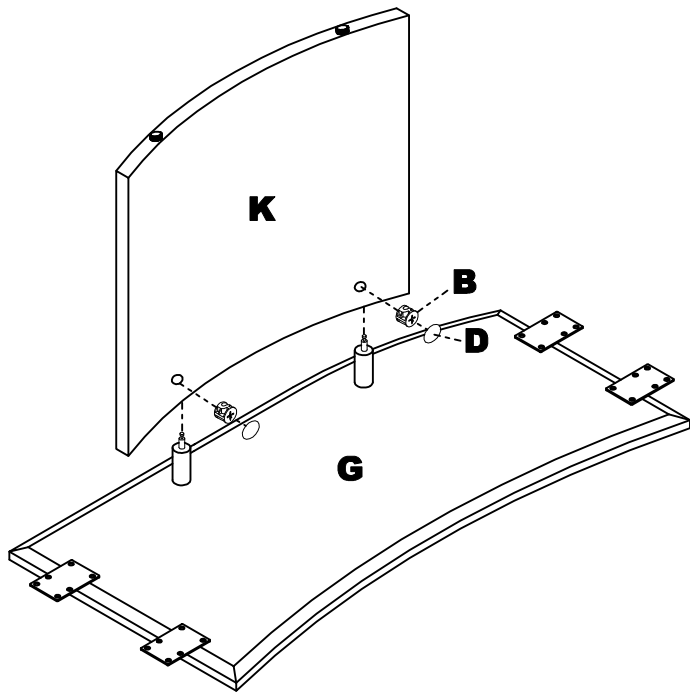
Review ALL instructions before beginning assembly. These instructions are provided to avoid problems that may occur from improper assembly or installation. Mayline and/or its distributor are not responsible for failure resulting from improper assembly or installation of this product. Moreover, all warranties are void for failure to follow these assembly instructions.

- 1 Install Base Stand-off (F) into threaded inserts in underside of Top (G). Attach Mntg Plates (E) to the underside of adjacent Top (G) using Screws (C).



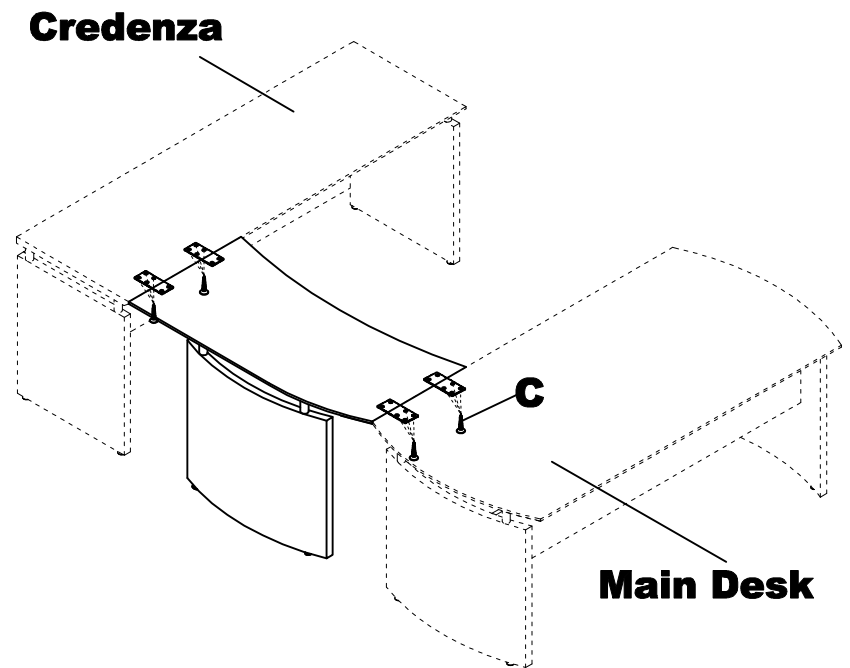
3

- ② Place Modesty Panel (K) onto Tops (G) and lock in place by turning Cams (B). Apply Cam Stickers (D) onto Cams (B) .



4

- ③ Attach MNBDGR to the Main Desk and Credenza using Screws (C).



5