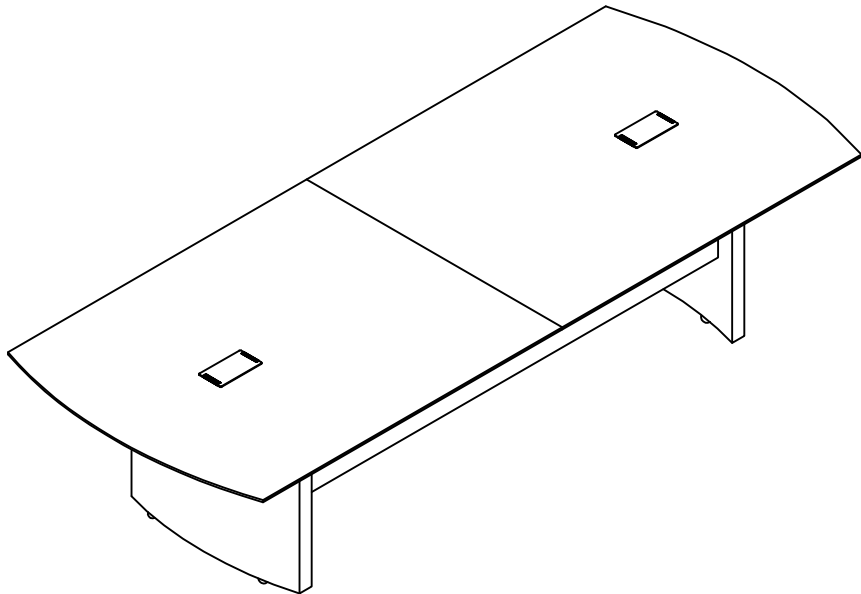





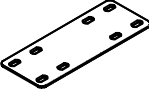


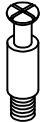
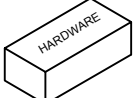
Medina Series™
120" Conference Table
Model No. MNC10



ASSEMBLY INSTRUCTIONS

CALL 1-800-822-8037 FOR ASSISTANCE

PARTS LIST

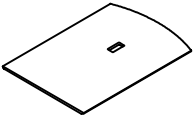
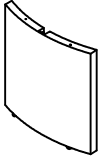
Name	Part	Qty.	Spare Qty.	Name	Part	Qty.	Spare Qty.
A	 REALS001 Cam Lock	16	1	D	 REALS036 Mntg Plate	3	
B	 REALS102SLV Cam Sticker/Silver	16	1	E	 REALS043 M6x15mm	24	1
C	 REALS003 Cam Post	16	1		 MNCT120HB		

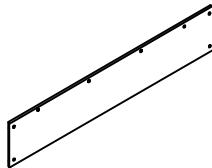
NOTE:

- ①. 1/2 Top packed in one carton - MNCT120T
- ②. 2 Modesty Panels with Hardware packed in one carton - MNCT120MPLSLV
- ③. 2 Legs with Hardware packed in one carton - MNCT120LCB

Items with HB are in hardware box.

PARTS LIST

Name	Part	Qty.
H	 MNCT120T** Top	2
J	 MNCB** Leg	2

Name	Part	Qty.
K	 MNCT120MPSLV Modesty Panel	2

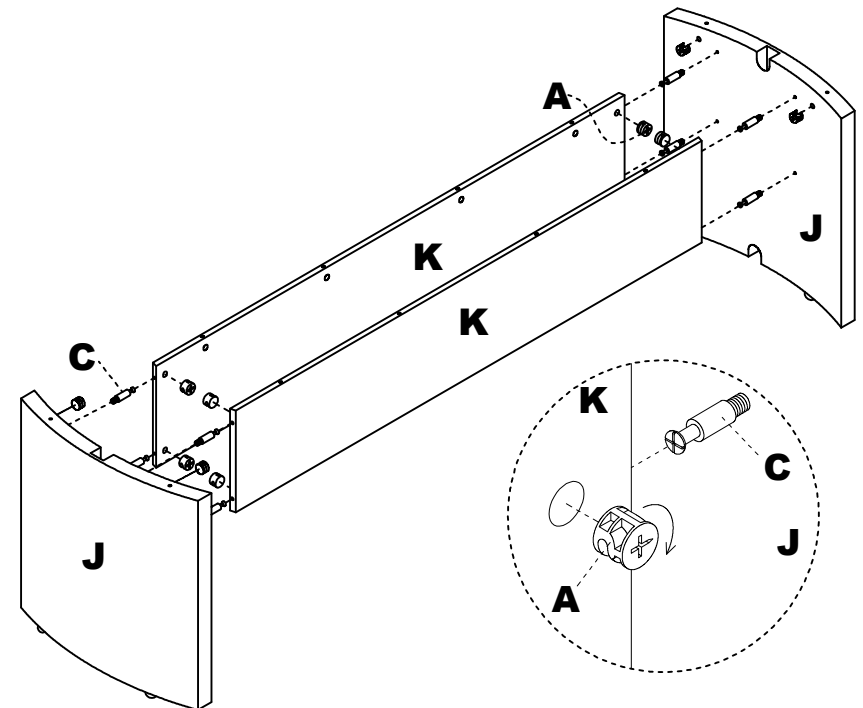
**Denotes Color Code

2

IMPORTANT!

Review ALL instructions before beginning assembly. These instructions are provided to avoid problems that may occur from improper assembly or installation. Mayline and/or its distributor are not responsible for failure resulting from improper assembly or installation of this product. Moreover, all warranties are void for failure to follow these assembly instructions.

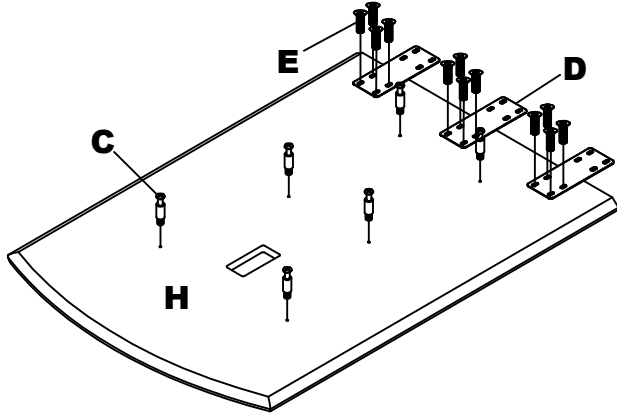
- 1 Insert Cams (A) into the Modesty Panel (K) and MNCB Legs (J). Install Cam Posts (C) into threaded inserts in MNCB Legs (J). Attach Modesty Panel (K) to MNCB Legs (J) by turning Cams (A).



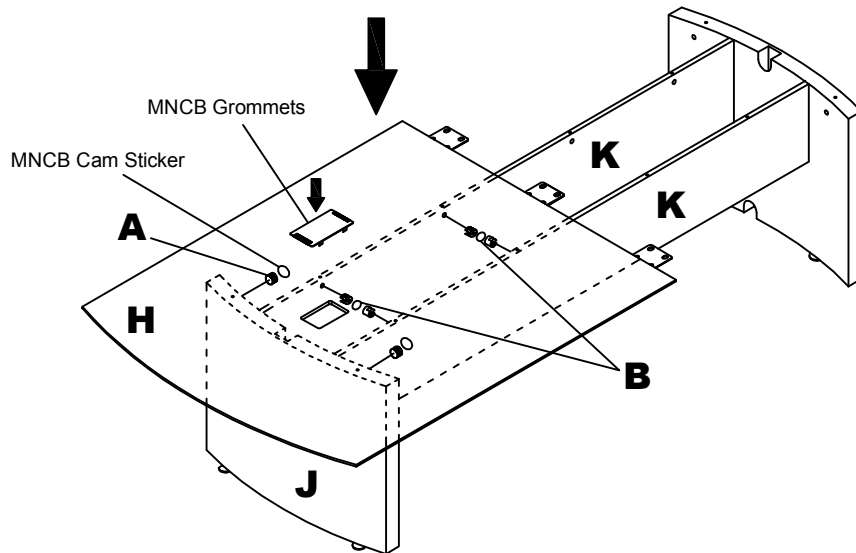
NOTE: The arrow on the face of the Cam (A) should point towards the Cam Post (C) for proper alignment.

3

- 2** Attach Mntg Plates (D) to the underside of adjacent Top (H) using Screws (E). Install Cam Posts (C) into threaded inserts in underside of Top (H).

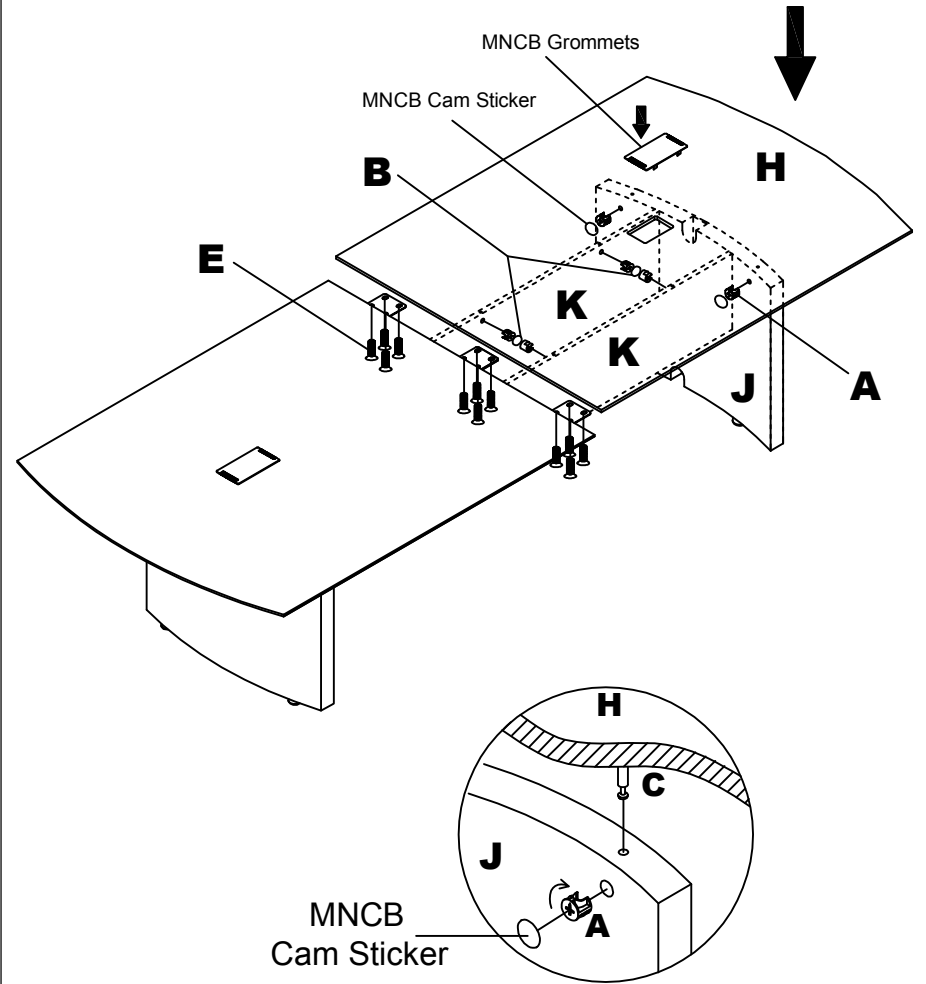


- 3** Place Top (H) onto Leg (J) and Modesty Panel (K) and lock in place by turning Cams (A). Apply MNCB Cam Sticker onto Cams (A) of Legs (J). Apply Cam Stickers/Silver (B) onto Cams (A) of Modesty Panel (K). Insert Grommets into Top holes.



4

- 4** Place the other Top (H) onto Leg (J) and Modesty Panel (K) and lock in place by turning Cams (A). Attach the Top to the other Top using Screws (E). Apply MNCB Cam Sticker onto Cams (A) of Legs (J). Apply Cam Stickers/Silver (B) onto Cams (A) of Modesty Panel (K). Insert Grommets into Top holes.



MNCB
Cam Sticker

NOTE: The arrow on the face of the Cam (A) should point towards the Cam Post (C) for proper alignment.

5