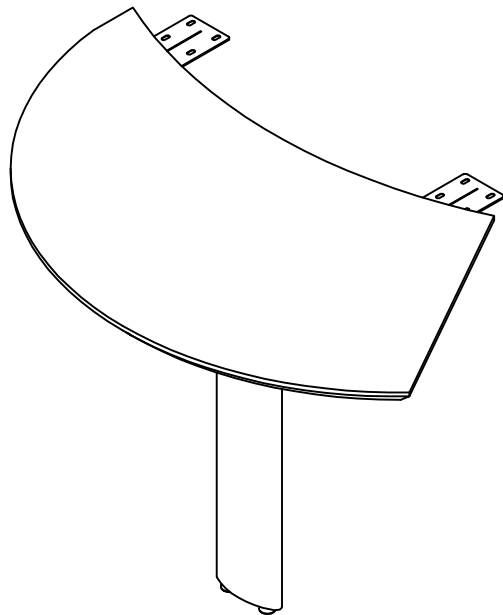


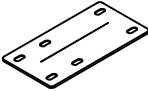

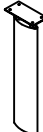


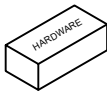
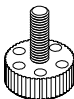
MAYLINE

Medina Series TM
Curve Extension, Left
Model No. MNEXTL



ASSEMBLY INSTRUCTIONS
CALL 1-800-822-8037 FOR ASSISTANCE

PARTS LIST

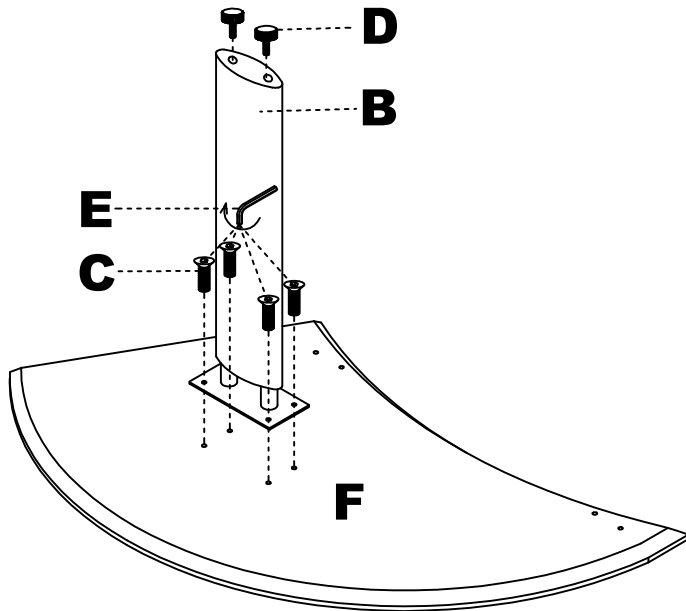
Name	Part	Qty.	Spare Qty	Name	Part	Qty.	Spare Qty
A	 REALS407 Mntg Plate	2		E	 REALBY028 Wrench	1	
B	 REALS408 Leg	1		F	 MNEXTL** Top	1	
C	 REALS409 M6x15mm	22	1		 MNEXTHB		
D	 REALS425 Leveler	2					

Items with HB are in hardware box.

IMPORTANT!

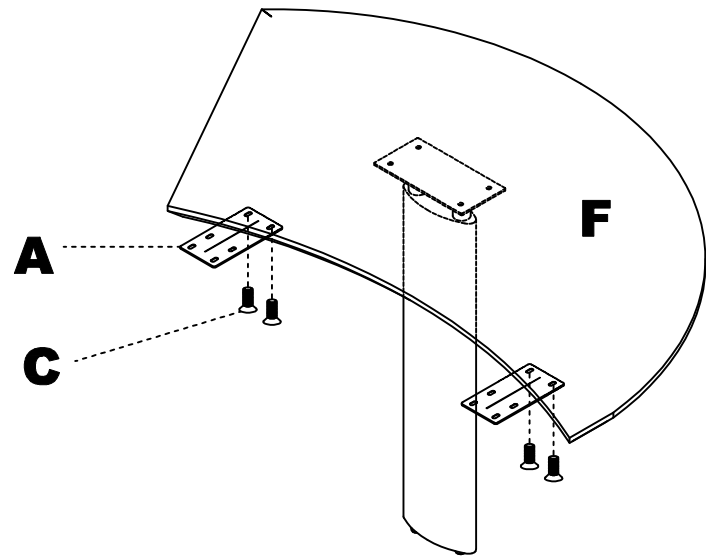
Review ALL instructions before beginning assembly. These instructions are provided to avoid problems that may occur from improper assembly or installation. Mayline and/or its distributor are not responsible for failure resulting from improper assembly or installation of this product. Moreover, all warranties are void for failure to follow these assembly instructions.

- ① Attach Leg (B) to the underside of adjacent Top (F) using Screws (C) and Wrench (E). Install Levelers (D) into threaded inserts in underside of Leg (B).



2

- ② Attach Mntg Plates (A) to the underside of adjacent Top (F) using Screws (C).



3

3 Attach MNEXTL to the underside of adjacent Main Desk using Screws (C).

