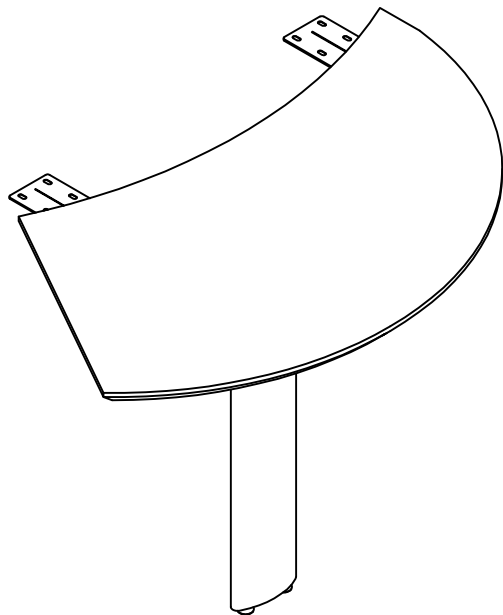


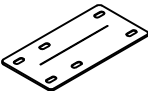


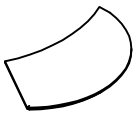

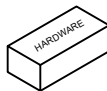
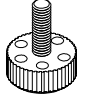
**MAYLINE**

Medina Series <sup>TM</sup>  
Curve Extension, Right  
Model No. MNEXTR



ASSEMBLY INSTRUCTIONS  
CALL 1-800-822-8037 FOR ASSISTANCE

# PARTS LIST

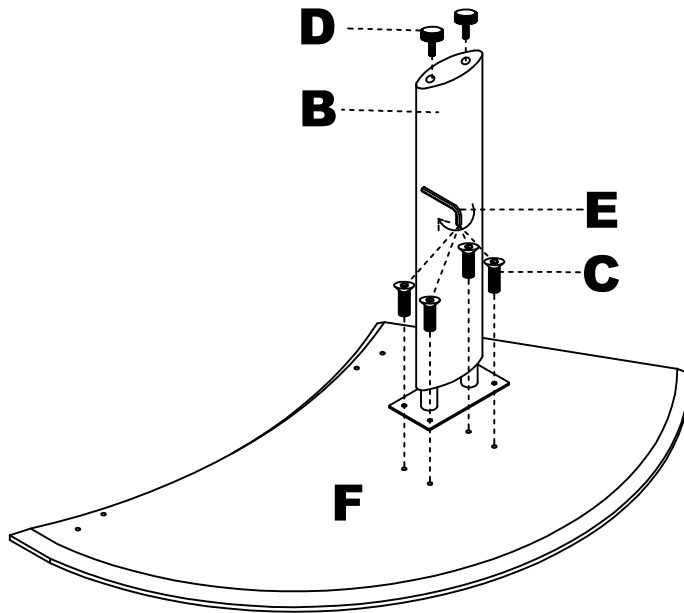
Name	Part	Qty.	Spare Qty	Name	Part	Qty.	Spare Qty
<b>A</b>	 <b>REALS407</b> Mntg Plate	<b>2</b>		<b>E</b>	 <b>REALBY028</b> Wrench	<b>1</b>	
<b>B</b>	 <b>REALS408</b> Leg	<b>1</b>		<b>F</b>	 <b>MNEXTR**</b> Top	<b>1</b>	
<b>C</b>	 <b>REALS409</b> M6x15mm	<b>22</b>	<b>1</b>		 <b>MNEXTHB</b>		
<b>D</b>	 <b>REALS425</b> Leveler	<b>2</b>					

Items with HB are in hardware box.

**IMPORTANT!**

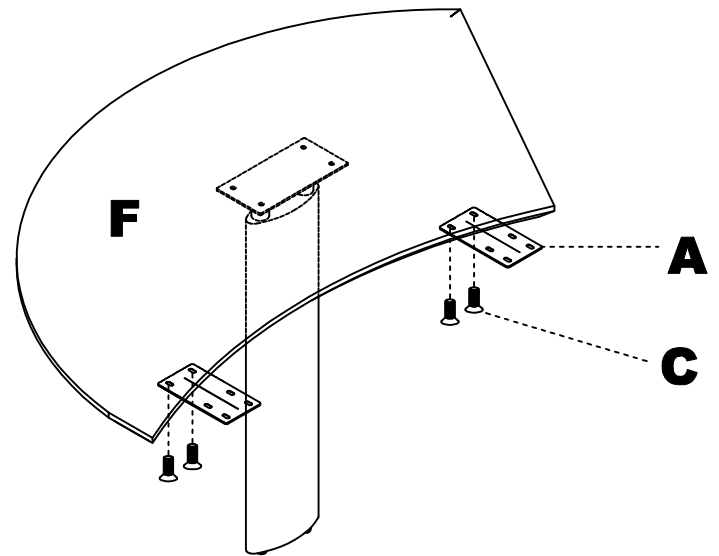
**Review ALL instructions before beginning assembly.** These instructions are provided to avoid problems that may occur from improper assembly or installation. Mayline and/or its distributor are not responsible for failure resulting from improper assembly or installation of this product. Moreover, all warranties are void for failure to follow these assembly instructions.

- ① Attach Leg (B) to the underside of adjacent Top (F) using Screws (C) and Wrench (E). Install Levelers (D) into threaded inserts in underside of Leg (B).



**2**

- ② Attach Mntg Plates (A) to the underside of adjacent Top (F) using Screws (C).



**3**

**3** Attach MNEXTR to the underside of adjacent Main Desk using Screws (C).

