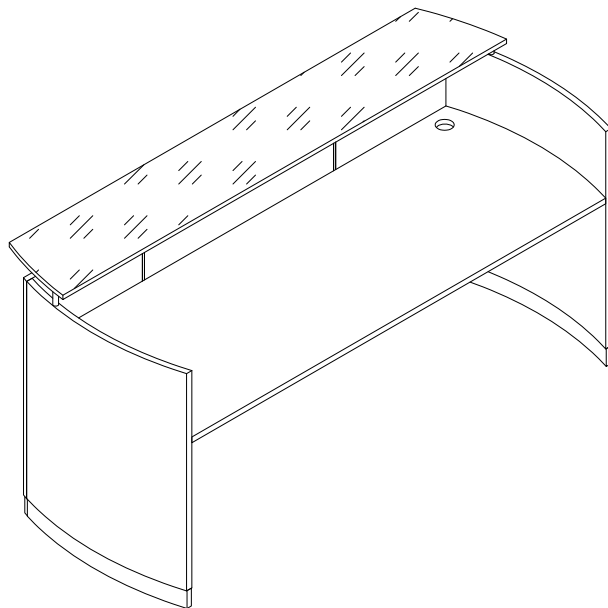




Medina Series™

Reception Desk & Glass Counter

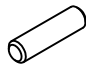






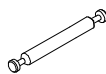
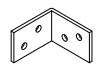
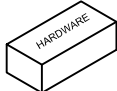

Model No. MNRD



ASSEMBLY INSTRUCTIONS

CALL 1-800-822-8037 FOR ASSISTANCE

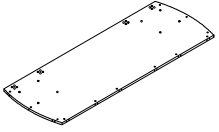


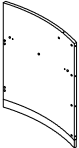
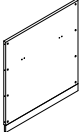
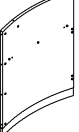
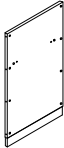
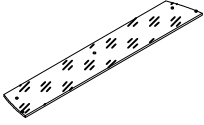
PARTS LIST

Name	Part	Qty.	Spare Qty	Name	Part	Qty.	Spare Qty
A	 REALS004 Wood Dowel	10	1	G	 REALS086 Stand-off	5	
B	 REALS003 Cam Post	25	1	H	 REALS100 Grommet	2	
C	 REALS001 Cam Lock	41	1	I	 REALS429 Leveler	8	
D	 REALS102** Cam Slicker	41	1	J	 REALS430 Double Cam Post	8	
E	 REALS088 Mntg Bracket	8			 MNRSHB		
F	 REALS267 Ø4 x 20mm Black	32	1				

Items with HB are in hardware box.

**Denotes Color Code

PARTS LIST

Name	Part	Qty.	Name	Part	Qty.
K	 MNRDT** Top	1	O	 MNRDTO** Metal Spacers	2
L	 MNRDTL** Left Modesty Panel	1	P	 MNRDE** Left Side Panel	1
M	 MNRDTM** Center Modesty Panel	1	Q	 MNRDE** Right Side Panel	1
N	 MNRDTN** Right Modesty Panel	1	R	 NRDC Glass Counter	1

NOTE:

1. Reception Top & Modesty Panels packed in one carton - **MNRDT**
2. Reception End Panels packed in one carton - **MNRDE**
3. Reception Counter packed in one carton - **NRDC**

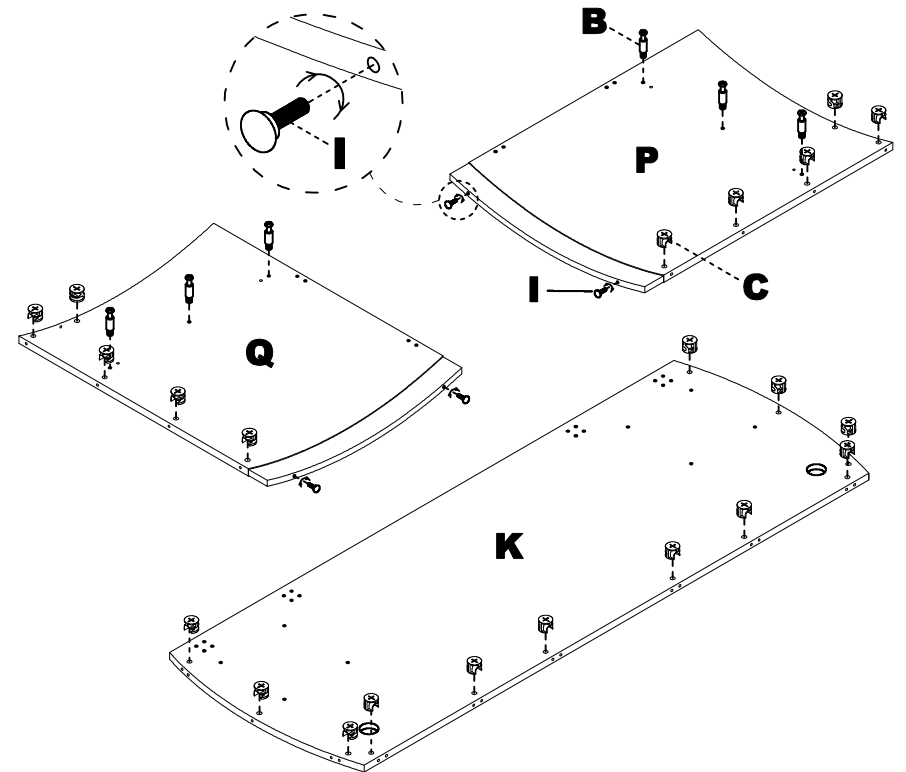
**Denotes Color Code

2

IMPORTANT!

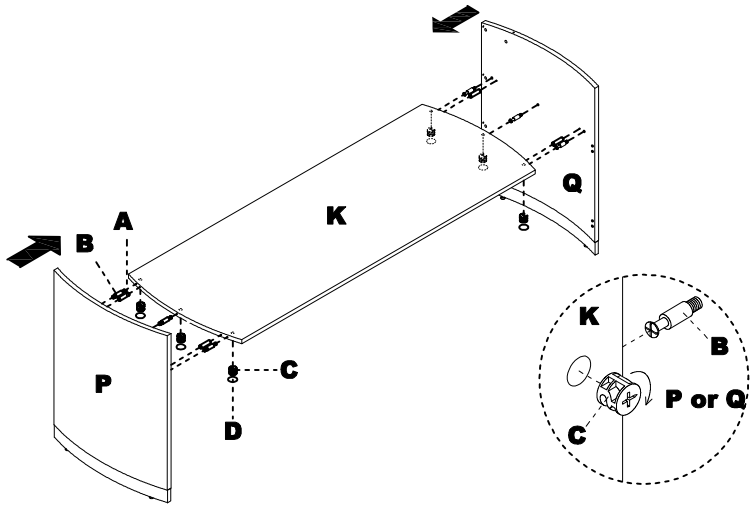
Review ALL instructions before beginning assembly. These instructions are provided to avoid problems that may occur from improper assembly or installation. Mayline and/or its distributor are not responsible for failure resulting from improper assembly or installation of this product. Moreover, all warranties are void for failure to follow these assembly instructions.

- 1** Install Cam Posts (B) into Side Panels (P & Q). Insert Cams (C) to inside of the Side Panels (P & Q). Insert Cams (C) in the underside of the Top (K). Install Levelers (I) into threaded inserts in underside of Side Panels (P & Q).



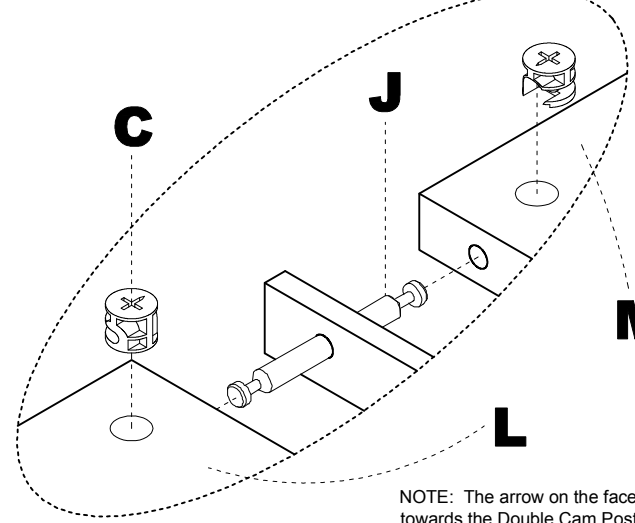
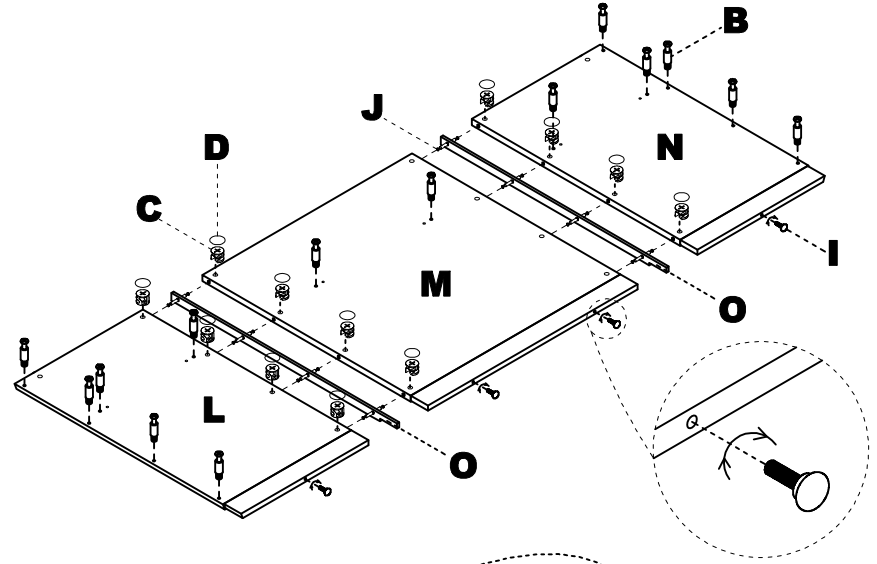
3

- 2** Insert Wood Dowels (A) into Top (K). Insert Cams (C) in the underside of the Top (K). Install Cam Posts (B) to the inside of the Side Panels (P & Q). Attach Top (K) and Side Panels (P & Q) by turning Cams (C). Apply Cam Stickers (D) to Cams (C) of Top (K).



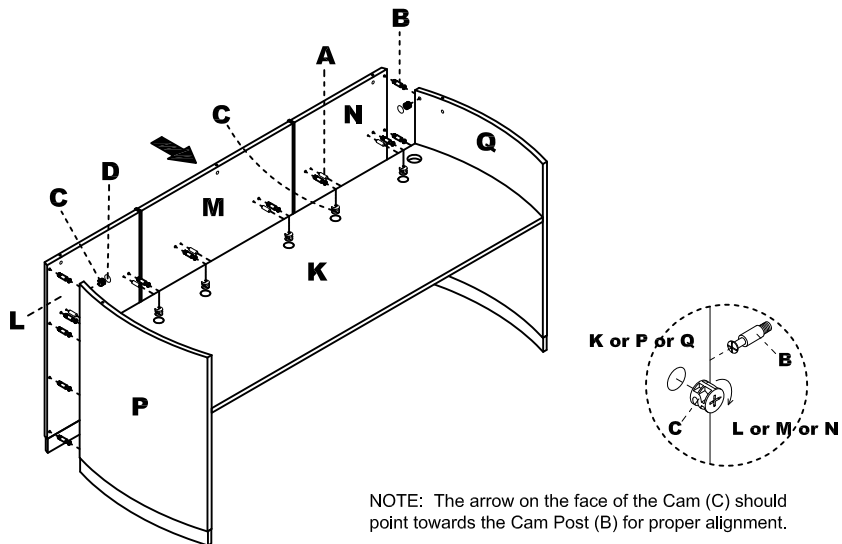
NOTE: The arrow on the face of the Cam (C) should point towards the Cam Post (B) for proper alignment.

- 3** Install Double Cam Posts (J) into Metal Spacers (O). Attach Modesty Panels (L & M & N) and Metal Spacers (O) by turning Cams (C). Apply Cam Stickers (D) to Cams (C) of Modesty Panels (L & M & N). Install Levelers (I) into threaded inserts in underside of Modesty Panels (L & M & N).



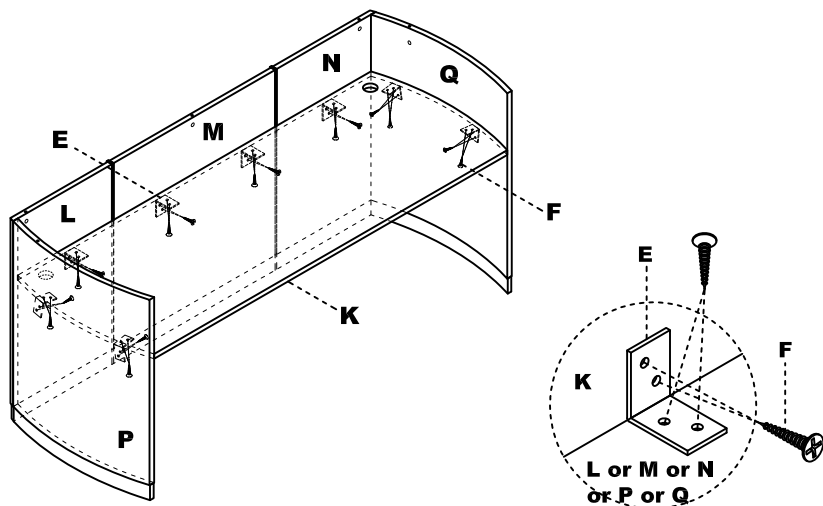
NOTE: The arrow on the face of the Cam (C) should point towards the Double Cam Post (J) for proper alignment.

- 4** Attach Top (K) and Side Panels (P & Q) and Modesty Panels (L & M & N) by turning Cams (C). Apply Cam Stickers (D) to Cams (C) of Top (K) and Side Panels (P & Q).



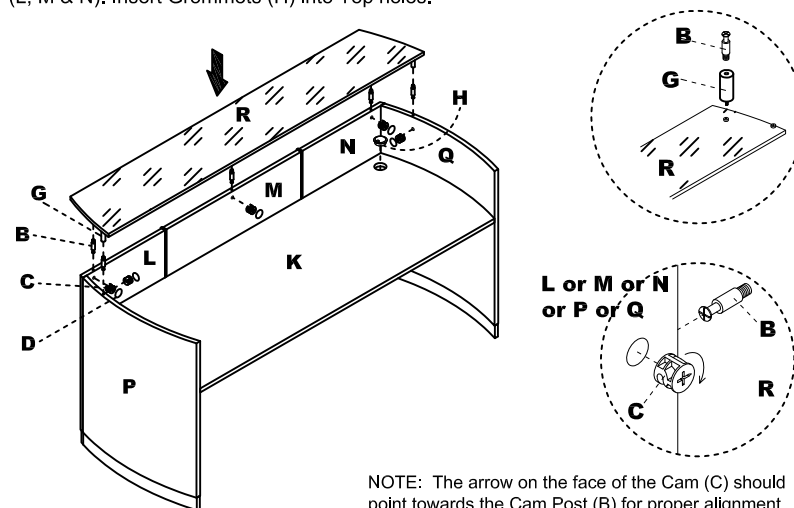
NOTE: The arrow on the face of the Cam (C) should point towards the Cam Post (B) for proper alignment.

- 5** Attach Mntg Bracket (E) to the Top (K) and Side Panels (P & Q) & Modesty Panels (L & M & N) using Screws (F).



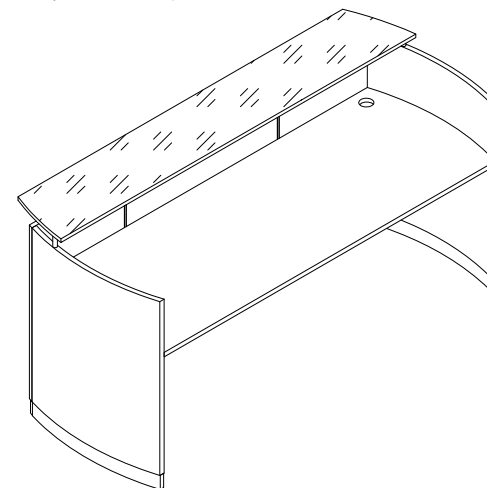
6

- 6** Install Stand-offs (G) to steel button on underside of Glass Counter (R). Place Glass Counter (R) onto Side Panels (P & Q) and Modesty Panels (L, M & N) and lock in place by turning Cams (C) of Side Panels (P & Q) and Modesty Panels (L, M & N). Insert Grommets (H) into Top holes.



NOTE: The arrow on the face of the Cam (C) should point towards the Cam Post (B) for proper alignment.

- 7** Finished assembly of the Reception Desk.



7

8 Attach MNRRHB to the Reception and Reception Return using Screws.

