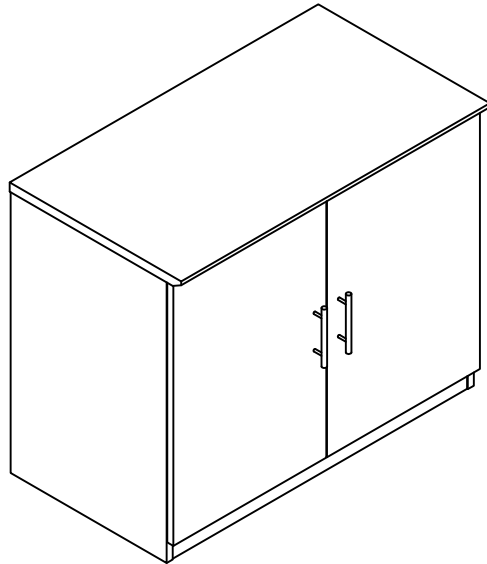








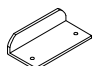

**MAYLINE**

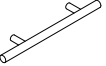
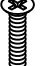




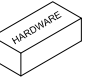
Medina Series™  
Storage Cabinet  
Model No. MSC



ASSEMBLY INSTRUCTIONS  
CALL 1-800-822-8037 FOR ASSISTANCE

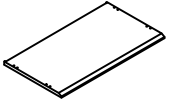
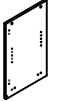
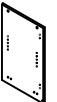
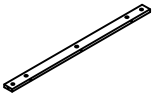
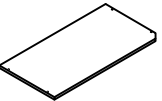
**PARTS LIST**

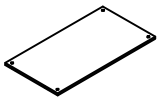
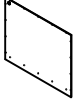
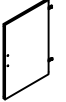

Name	Part	Qty.	Spare Qty
<b>A</b>	 <b>REALS004</b> Wood Dowel	<b>8</b>	<b>1</b>
<b>B</b>	 <b>REALS001</b> Cam Lock	<b>13</b>	<b>1</b>
<b>C</b>	 <b>REALS002</b> Cam Post	<b>13</b>	<b>1</b>
<b>D</b>	 <b>REALS102**</b> Cam Sticker	<b>13</b>	<b>1</b>
<b>E</b>	 <b>REALBY018</b> Leveler Assembly	<b>4</b>	
<b>F</b>	 <b>REALS417</b> Ø4x14mm Black	<b>16</b>	<b>1</b>
<b>G</b>	 <b>REALS025</b> Door Stop	<b>1</b>	
<b>H</b>	 <b>REALS017</b> Ø3.5 x 16mm White	<b>2</b>	<b>1</b>

Name	Part	Qty.	Spare Qty
<b>I</b>	 <b>REALS410</b> Handle-96mm Center	<b>2</b>	
<b>J</b>	 <b>REALS045</b> Handle Screw-M4x25mm	<b>4</b>	<b>1</b>
<b>K</b>	 <b>REALS009</b> Shelf Support	<b>4</b>	<b>1</b>
<b>L</b>	 <b>REALS146</b> Ø3x19mm Black	<b>18</b>	<b>1</b>
<b>M</b>	 <b>REALS230**</b> Cam Cap	<b>4</b>	<b>1</b>
<b>N</b>	 <b>REALBY028</b> Wrench	<b>1</b>	
	 <b>MSCHB</b>		

Items with HB are in hardware box.  
\*\*Denotes Color Code

# PARTS LIST

Name	Part	Qty.
<b>O</b>	 <b>MSCO**</b> Top	<b>1</b>
<b>P</b>	 <b>MSCP**</b> Left Side Panel	<b>1</b>
<b>Q</b>	 <b>MSCQ**</b> Right Side Panel	<b>1</b>
<b>R</b>	 <b>MSCR**</b> Toe Kick	<b>1</b>
<b>S</b>	 <b>MSCS**</b> Shelf Panel	<b>1</b>

Name	Part	Qty.
<b>T</b>	 <b>MSCT**</b> Bottom Panel	<b>1</b>
<b>U</b>	 <b>MSCU**</b> Back Panel	<b>1</b>
<b>V</b>	 <b>MSCV**</b> Right Wood Door	<b>1</b>
<b>W</b>	 <b>MSCW**</b> Left Wood Door	<b>1</b>

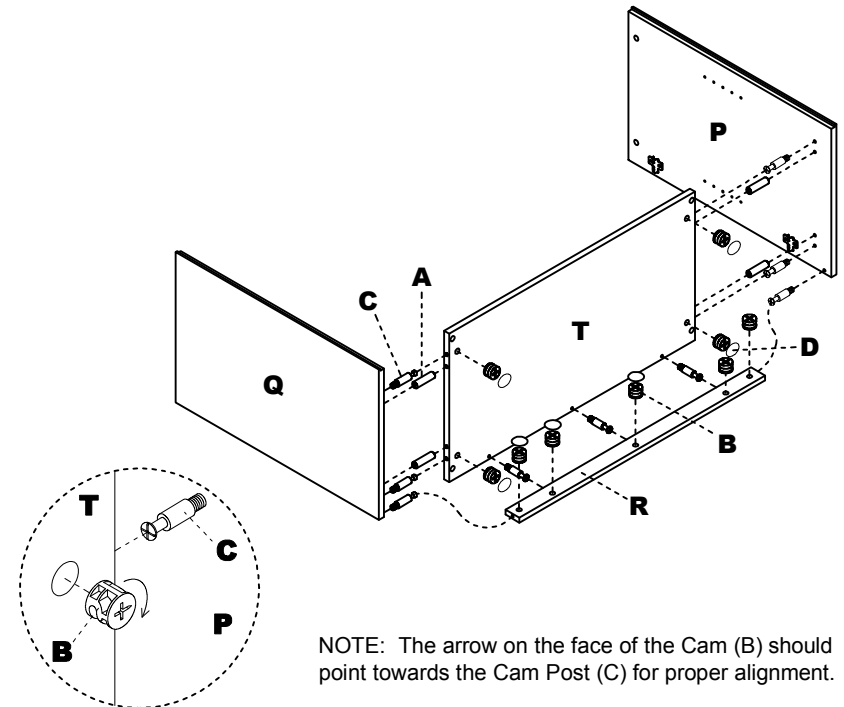
\*\*Denotes Color Code

**2**

## IMPORTANT!

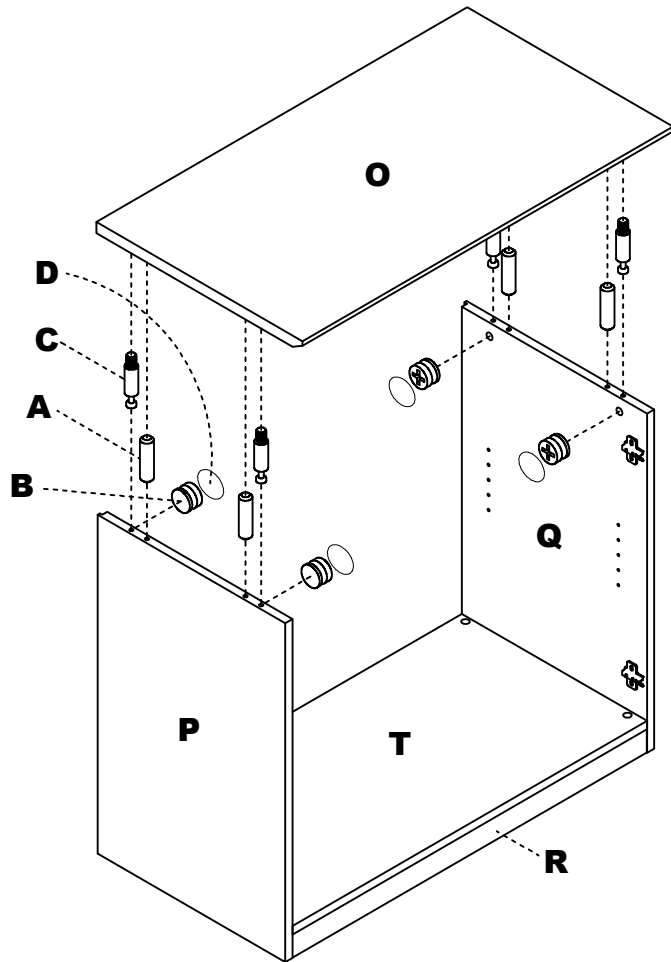
**Review ALL instructions before beginning assembly.** These instructions are provided to avoid problems that may occur from improper assembly or installation. Mayline and/or its distributor are not responsible for failure resulting from improper assembly or installation of this product. Moreover, all warranties are void for failure to follow these assembly instructions.

- 1** Install Cam Posts (C) into Bottom Panel (T). Insert Cam (B) into Toe Kick (R). Attach Toe Kick (R) to Bottom Panel (T) by turning Cams (B). Insert Wood Dowels (A) into Bottom Panel (T). Install Cam Posts (C) into Side Panels (P & Q). Insert Cams (B) into Bottom Panel (T) and Toe Kick (R). Attach Side Panels (P & Q) and Bottom Panel (T) and Toe Kick (R) by turning Cams (B). Adhere Cam Stickers (D) to Cams(B).



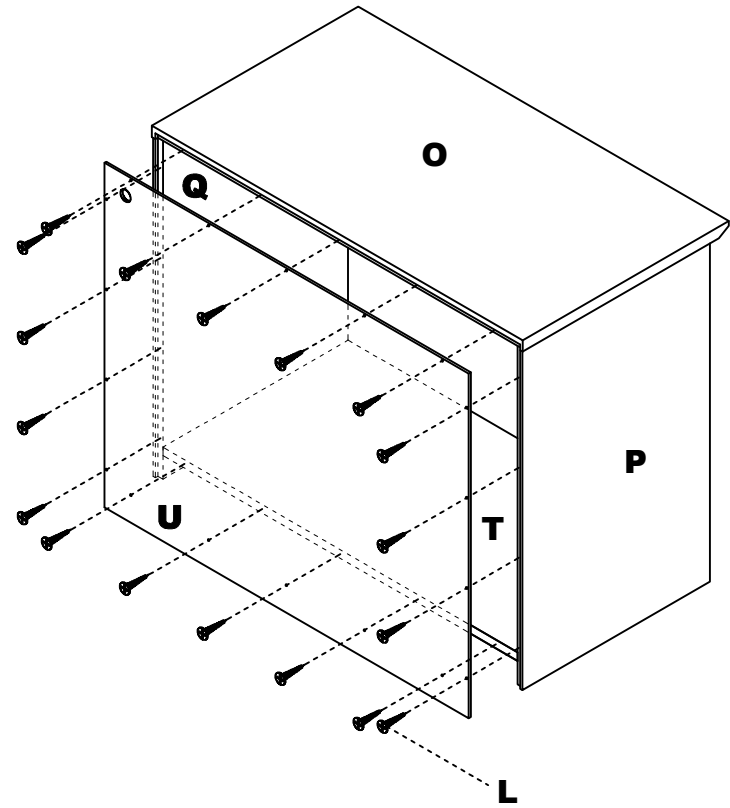
**3**

- 2** Insert Wood Dowels (A) into Side Panels (P & Q). Insert Cam (B) into Side Panels (P & Q). Attach Top (O) to assembled cabinet by turning Cams (B). Apply Cam Stickers (D) to Cams (B) of Side Panels (P & Q).



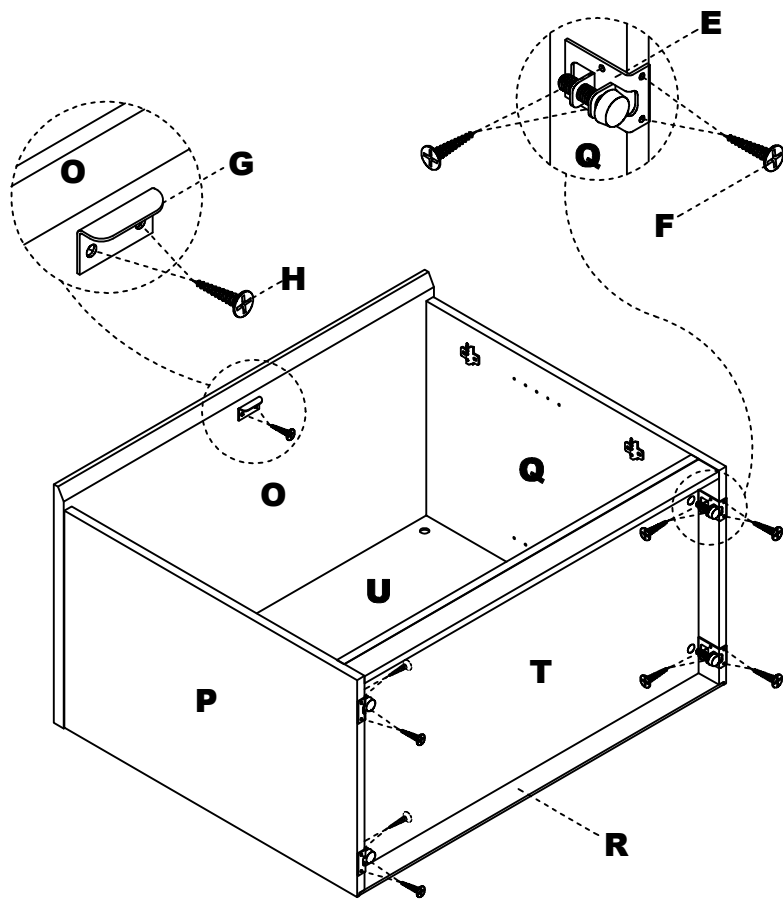
**4**

- 3** Attach the Back Panel (U) to the Top (O), Side Panels (P & Q) and the Bottom Panel (T) by using Screws (L).



**5**

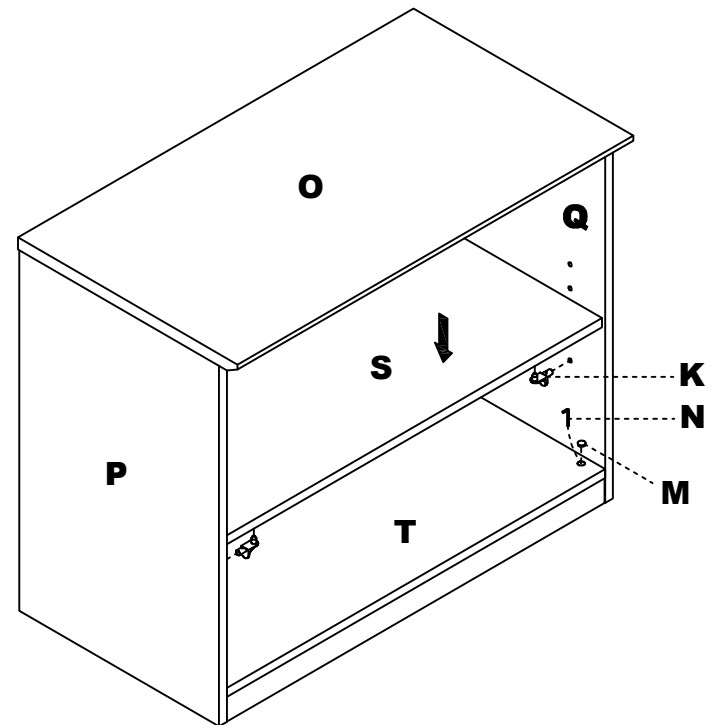
- 4** Install Leveler Assemblies (E) to Side Panels (P & Q) using Screws (F). Attach Door Stop (G) to underside of Top (O) using Screws (H).



**6**

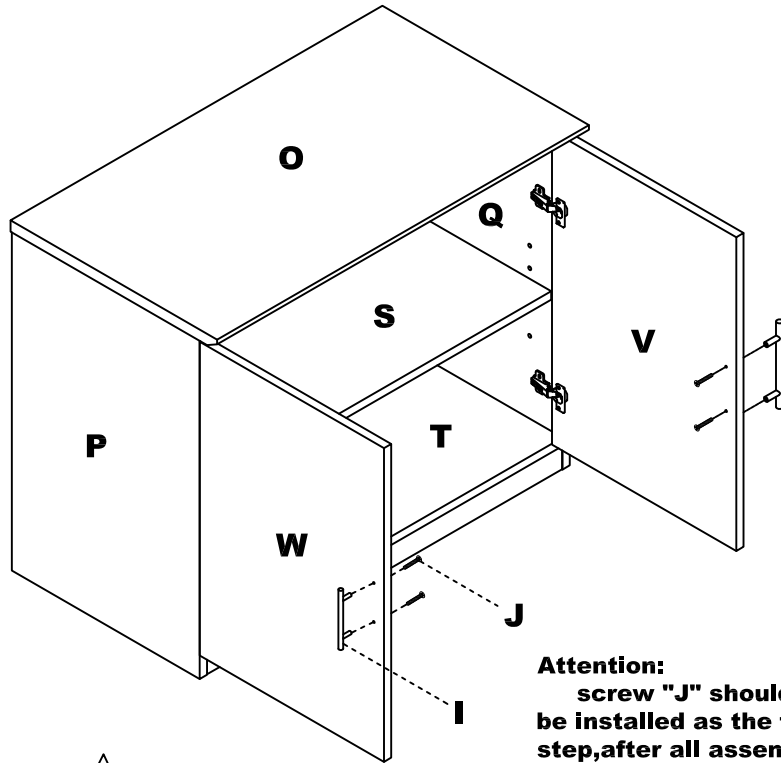
- 5** Insert Shelf Supports (K) into the Side Panels (P & Q) at the desired height. Put the Shelf Panel (S) on the Shelf Supports (K). Cover Levelers (E) access holes with Cam Caps (M) in Bottom Panel (T).

NOTE: Wrench (N) is used to adjust the desired height of Leveler Assembly (E) through the holes in Bottom Panel (T).

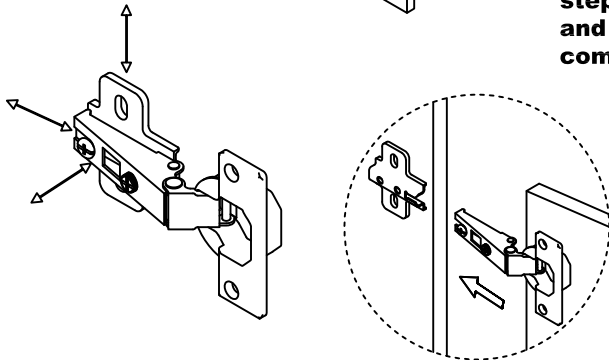


**7**

- ⑥ Attach Handles (I) to Wood Doors (W & V) using Screws (J). Install Wood Doors (W & V) onto Cabinet. Adjust doors for alignment as necessary by using the adjustment screws on the hinges.

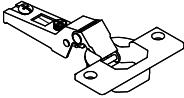

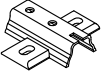


**Attention:**  
screw "J" should only be installed as the final step, after all assemblies and adjustments are complete



8

## Pre-Installed Replacement Parts List

Part	Included Qty.	Part	Included Qty.
 <b>REALS418</b> Hinge-Overlay	4	 <b>REALS018</b> Ø4X14mm White	16
 <b>REALS418P</b> Hinge Plate-Overlay	4		

9