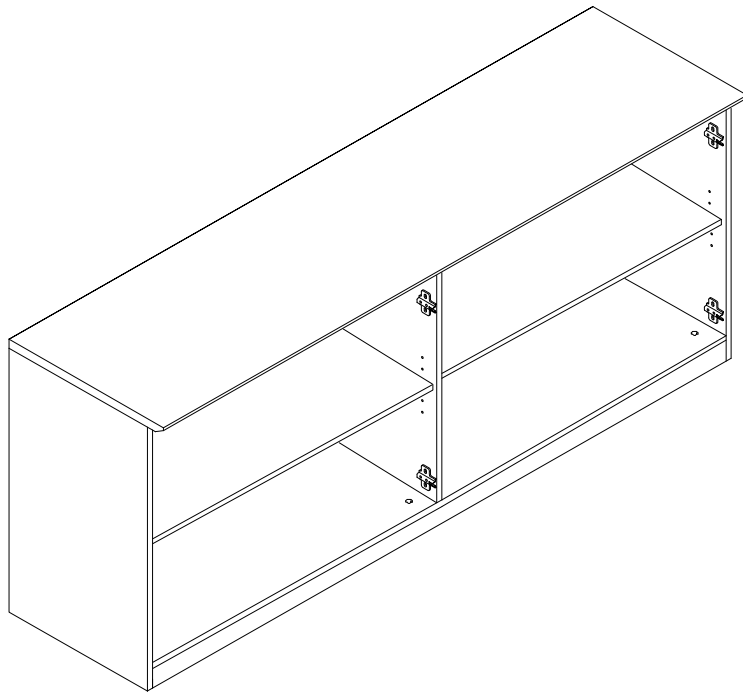


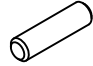






Medina Series™
 Low Wall Cabinet
 Model No. MVLCC



ASSEMBLY INSTRUCTIONS
 CALL 1-800-822-8037 FOR ASSISTANCE

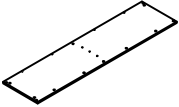

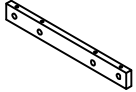
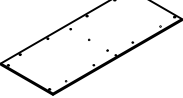

PARTS LIST


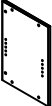
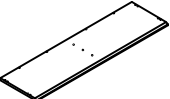
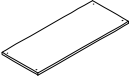
| Name | Part | Qty. | Spare Qty | Name | Part | Qty. | Spare Qty |
|----------|---|------|-----------|-----------|---|------|-----------|
| A |  REALS004 Wood Dowel | 18 | 1 | F |  REALS417 4x14mm | 24 | 2 |
| B |  REALS003 Cam Post | 35 | 2 | G |  REALS230** Cam Cap | 6 | 1 |
| C |  REALS001 Cam Lock | 35 | 2 | H |  REALS009 Shelf Support | 8 | 1 |
| D |  REALS102** Cam Sticker | 35 | 2 | H1 |  REALBY028 Wrench | 1 | |
| E |  REALBY018 Leveler | 6 | | |  MVLCCHB | | |

Items with HB are in hardware box.

**Denotes Color Code

PARTS LIST

| Name | Part | Qty. |
|----------|---|----------|
| I |  MVLCCI** Bottom Panel | 1 |
| J |  MVLCCJ** Toe Kick | 1 |
| K |  MVLCK** Bottom Slat | 1 |
| L |  MVLCCCL** Back Panel | 1 |
| M |  MVLCCM** Left Side Panel | 1 |

| Name | Part | Qty. |
|----------|--|----------|
| N |  MVLCCN** Right Side Panel | 1 |
| O |  MVLCCO** Center Panel | 1 |
| P |  MVLCCP** Top | 1 |
| Q |  MVLCCQ** Adjustable Shelf | 2 |

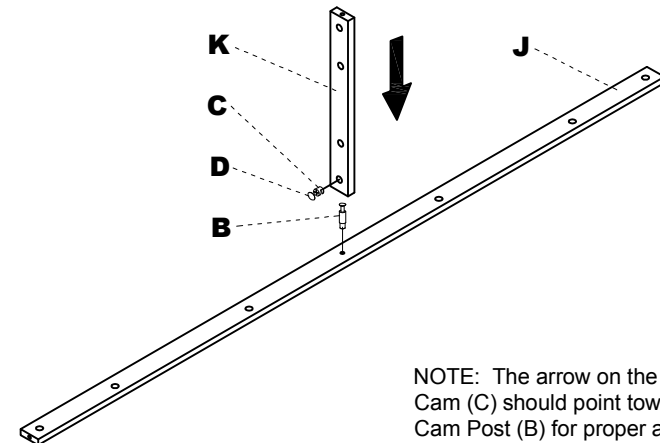
**Denotes Color Code

2

IMPORTANT!

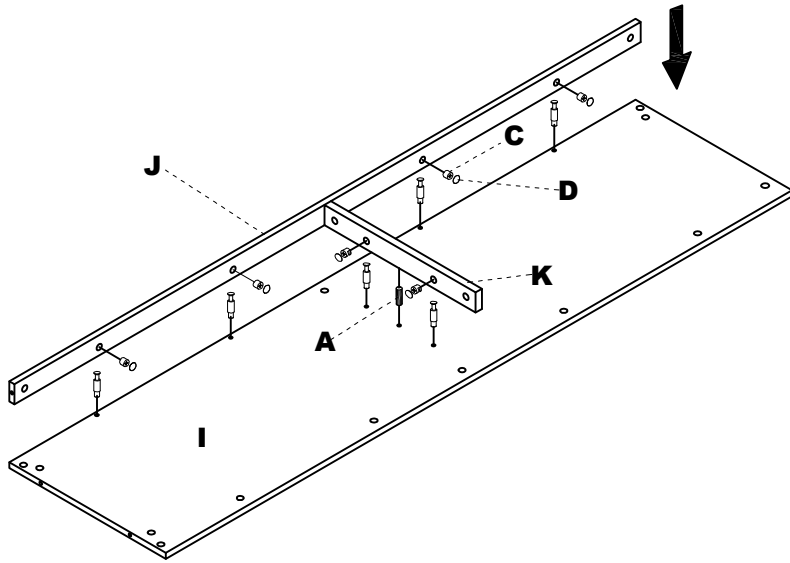
Review ALL instructions before beginning assembly. These instructions are provided to avoid problems that may occur from improper assembly or installation. Mayline and/or its distributor are not responsible for failure resulting from improper assembly or installation of this product. Moreover, all warranties are void for failure to follow these assembly instructions.

- 1 Install the Cam Post (B) into Toe Kick (J). Insert Cams (C) into Bottom slat (K). Attach Toe Kick (J) to Bottom slat (K) by turning Cams (C).

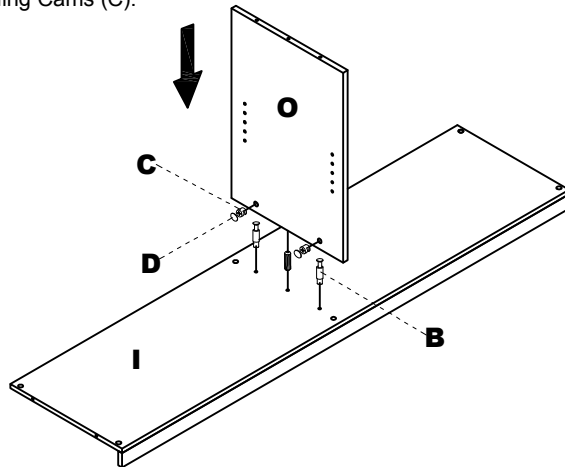


3

- 2** Install the Cam Post (B) into Bottom panel (I). Insert Cams (C) into Koe kick (J) and Bottom slat (K). Attach Bottom panel (I) to Toe Kick (J) and Bottom slat by turning Cams (C).

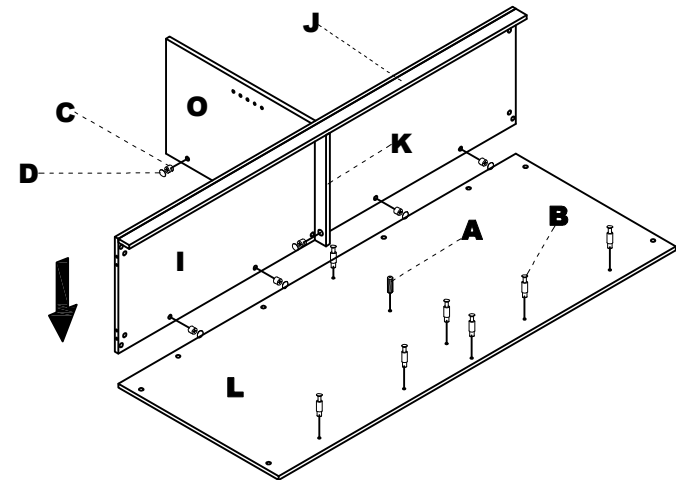


- 3** Insert Wood Dowels (A) into center panel (O). Install the Cam Post (B) into Bottom panel (I). Insert Cams (C) into center panel (O). Attach Bottom panel (I) to center panel (O) by turning Cams (C).

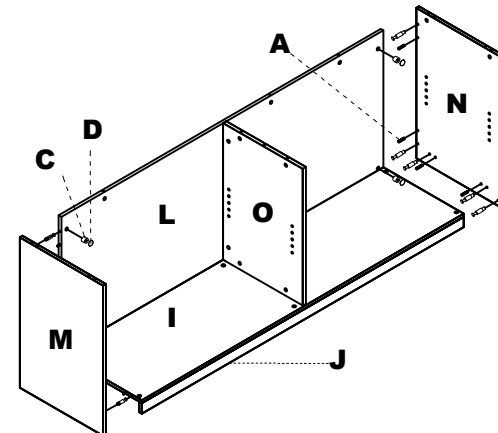


4

- 4** Insert Wood Dowels (A) into Back panel (L). Install the Cam Post (B) into Back panel (L). Insert Cams (C) into center panel (O) and Bottom panel (I). Attach Back panel (L) to center panel (O), Bottom panel (I) and Bottom slat (K) by turning Cams (C).

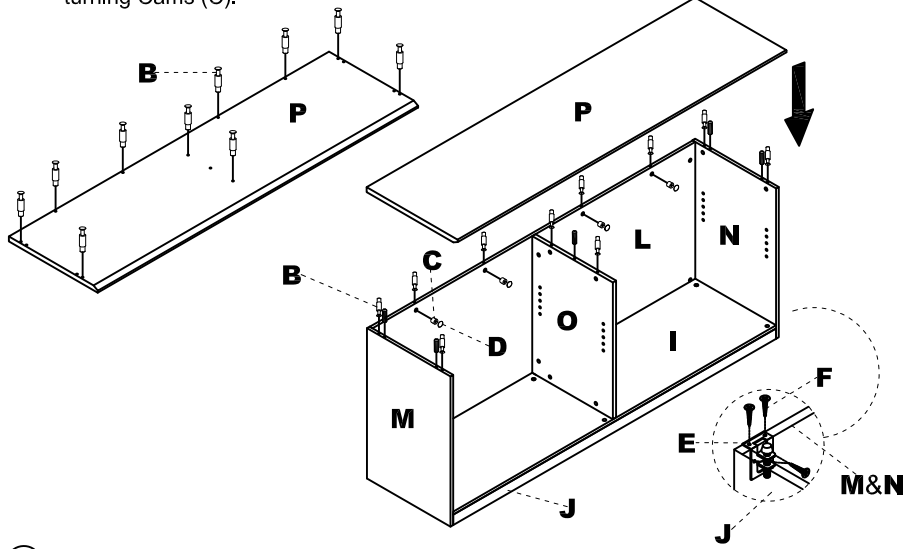


- 5** Insert Wood Dowels (A) into Side panel (M & N). Install the Cam Post (B) into Side panel (M & N). Insert Cams (C) into Back panel (L) Bottom panel (I) and Koe kick (J). Attach Side panel (M & N) to Back panel (L), Bottom panel (I) and Koe kick (J) by turning Cams (C).

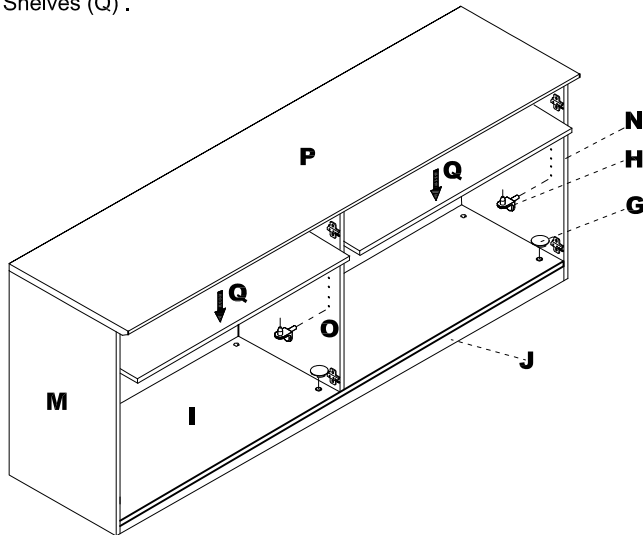


5

- ⑥ Insert Wood Dowels (A) into Top panel (P). Install the Cam Post (B) into Top panel (P). Insert Cams (C) into Back panel (L), Side panel (M & N), Center panel (O). Attach Top panel (P) to Back panel (L), Side panel (M & N), Center panel (O) by turning Cams (C).

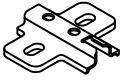



- ⑦ Install Shelf Support Pins (H) into Side Panels (M & N) and Center panel, Install Adjustable Shelves (Q).



6

Pre-Installed Replacement Parts List

| Part | Included Qty. | Part | Included Qty. |
|--|---------------|---|---------------|
|  REALS418P Hinge Plate-Short | 8 |  REALS018 Ø4X14mm White | 16 |

7