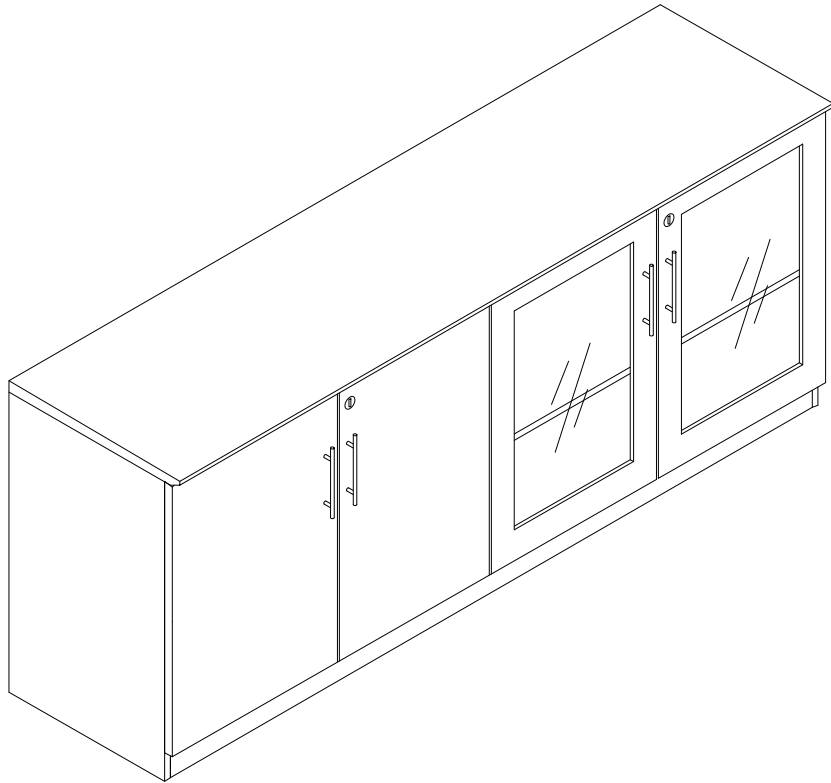


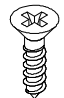
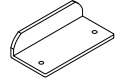


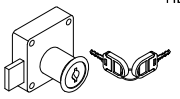
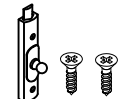
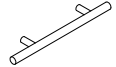
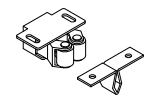




Medina Series™
 Low Wall Cabinet Doors
 Model No. MVLCD







ASSEMBLY INSTRUCTIONS
 CALL 1-800-822-8037 FOR ASSISTANCE

PARTS LIST

Name	Part	Qty.	Spare Qty	Name	Part	Qty.	Spare Qty
K	 REALS005 4x16mm	8	1	R	 REALS015 Latch	2	
L	 REALS126 4X20mm	8	1	S	 REALS121 3x14mm	4	1
M	 REALS402 Lock w/Keys&Ring	2		T	 REALS171 Bar Lock	2	
N	 REALS410 Handle-96mm Center	4		U	 REALS106 Door Catch	2	
O	 REALS045 Handle Screw-M4x25mm	8	1		 MVLCDHB		

Items with HB are in hardware box.

PARTS LIST

Name	Part	Qty.	Name	Part	Qty.
W	 MVLCD** Right Glass Door	1	Y	 MVLCD** Right Wood Door	1
X	 MVLCD** Left Glass Door	1	Z	 MVLCD** Left Wood Door	1

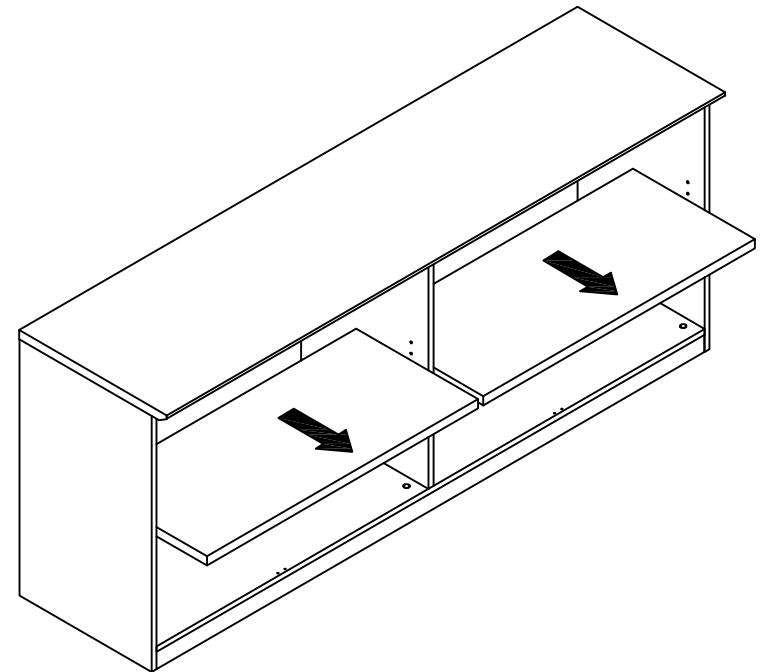
**Denotes Color Code

2

IMPORTANT!

Review ALL instructions before beginning assembly. These instructions are provided to avoid problems that may occur from improper assembly or installation. Mayline and/or its distributor are not responsible for failure resulting from improper assembly or installation of this product. Moreover, all warranties are void for failure to follow these assembly instructions.

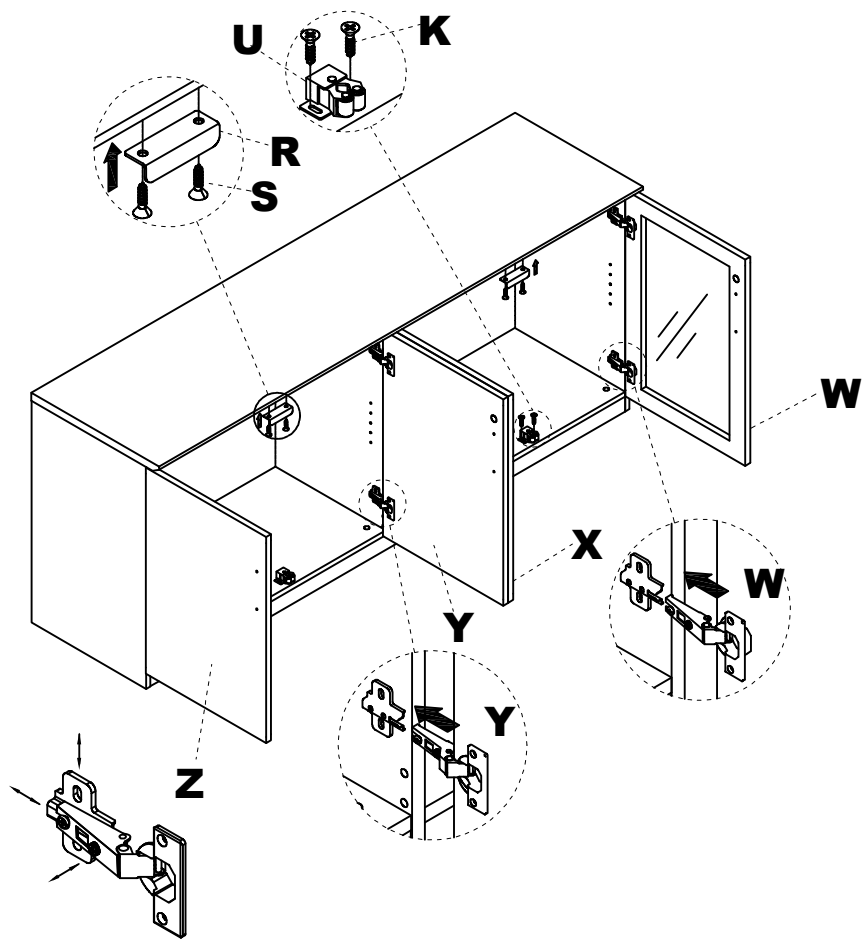
①



*Wood Cabinet and shelves are purchased separately. For ease of installation, remove shelves before installing the doors.

3

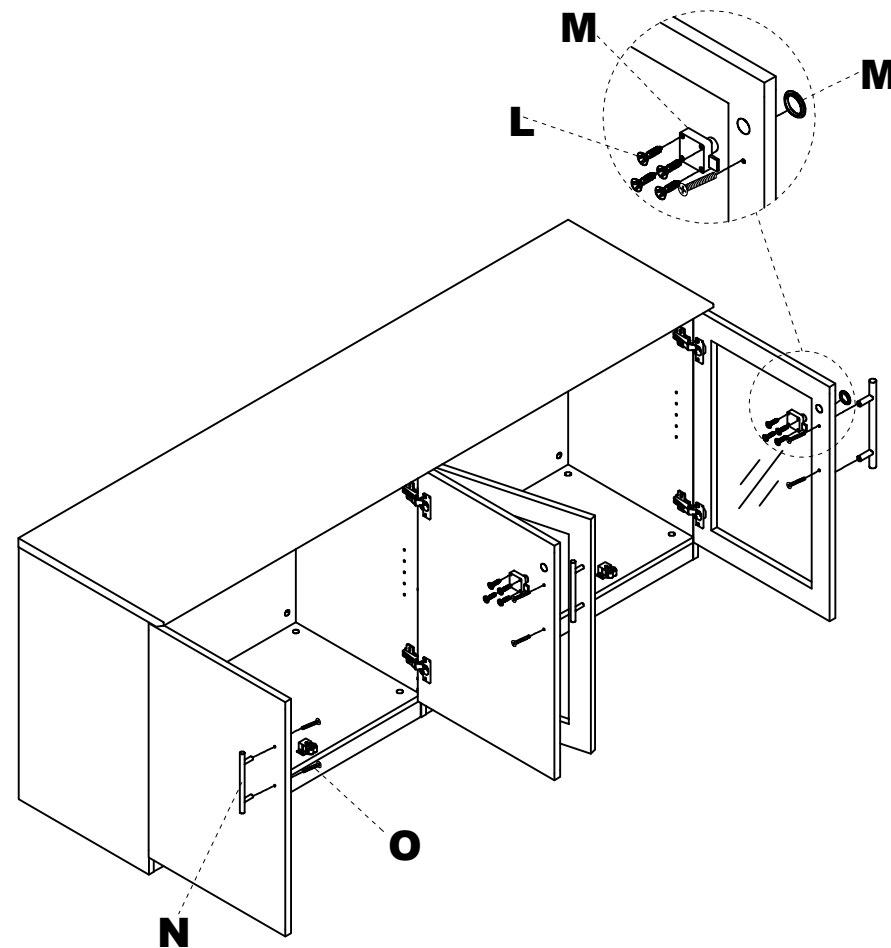
3



Note: Adjust door alignment as necessary by using the adjustment screws on the hinges.

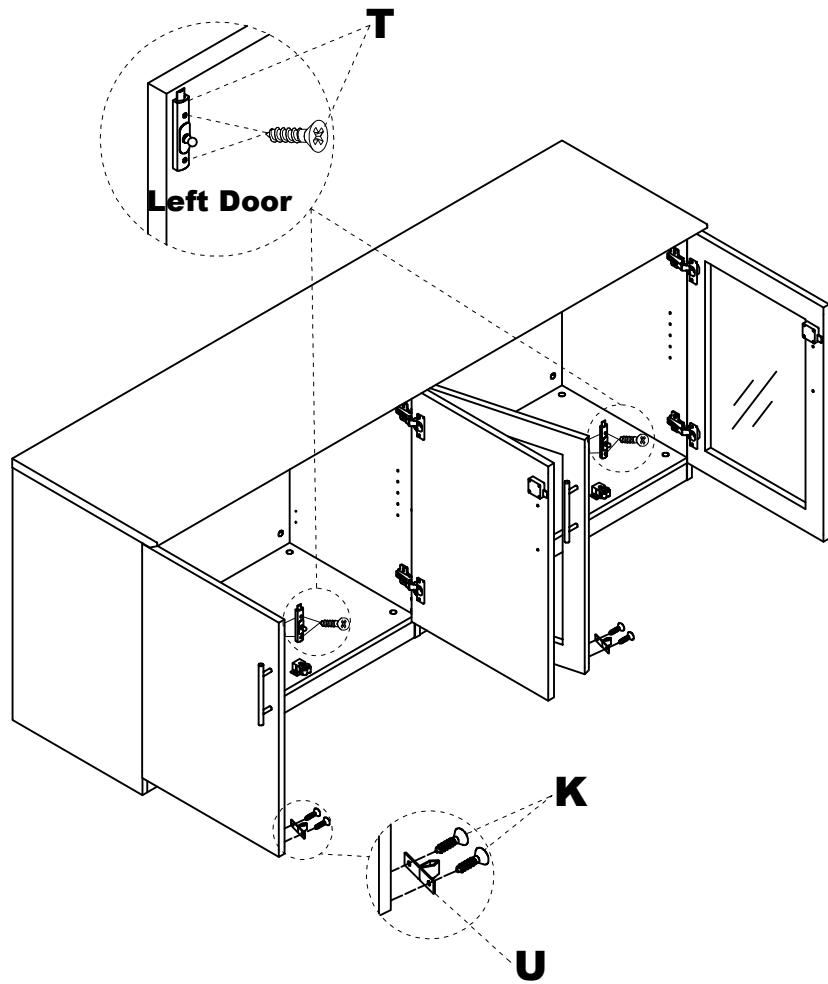
4

3



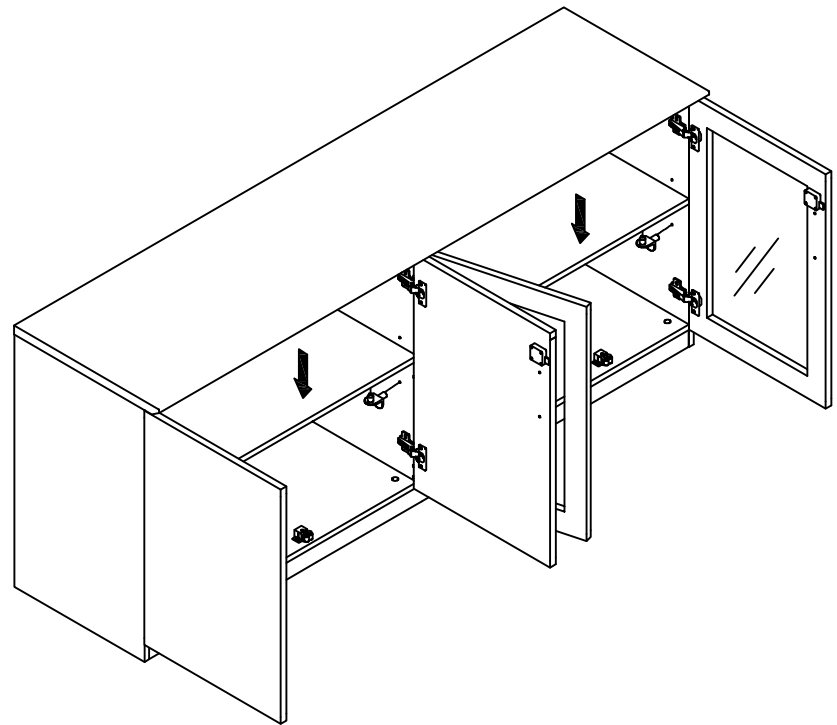
5

4



6

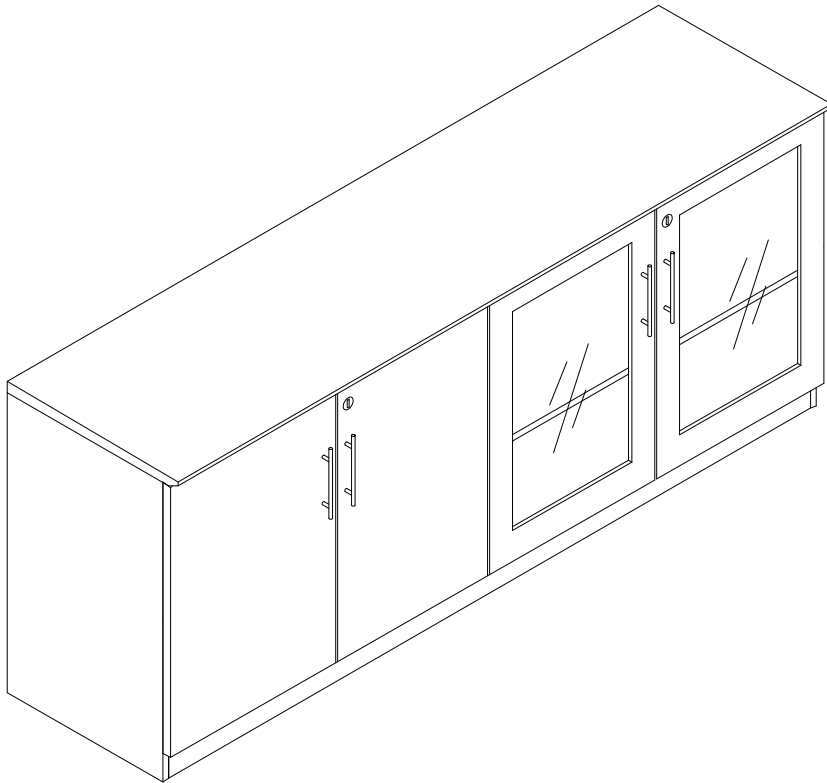
5



After door installation is complete replace shelves.

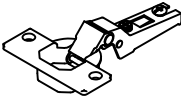
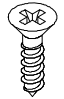
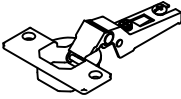
7

6



8

Pre-Installed Replacement Parts List

Part	Included Qty.	Part	Included Qty.
 REALS418 Hinge-Overlay	4	 REALS018 Ø4X14mm White	16
 REALS419 Hinge-Half overlay	4		

9