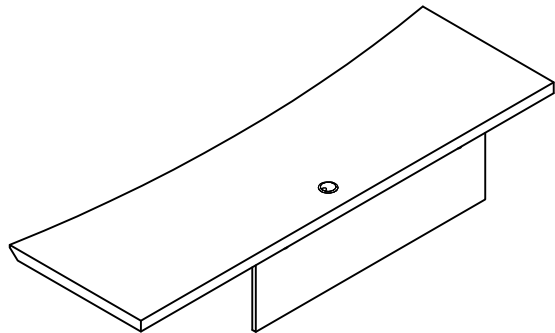




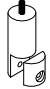
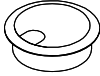

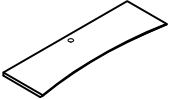

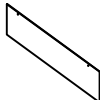
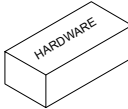
Sterling Series™
Credenza 72"/66"
Model No. STCT72/66



ASSEMBLY INSTRUCTIONS

CALL 1-800-822-8037 FOR ASSISTANCE

PARTS LIST

Name	Part	Qty.	Spare Qty	Name	Part	Qty.	Spare Qty
A	 REALS604 Round Clamp	2		D	 REALS100 Grommet	1	
B	 REALS605 M6x20mm	2	1	E	 STCT~** Top	1	
C	 REALBY028 Wrench	1		F	 STCTF** Modesty Panel	1	
	 STCT72HB						

Items with HB are in hardware box.

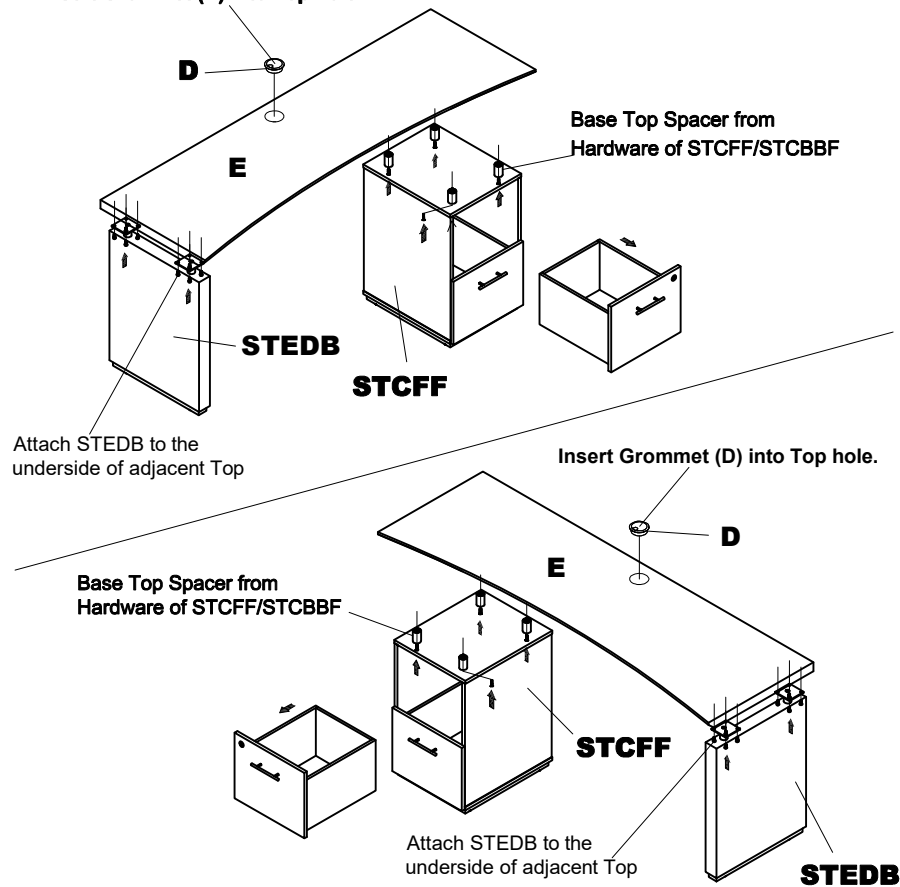
**Denotes Color Code

~ Denotes Size-72/66

IMPORTANT!

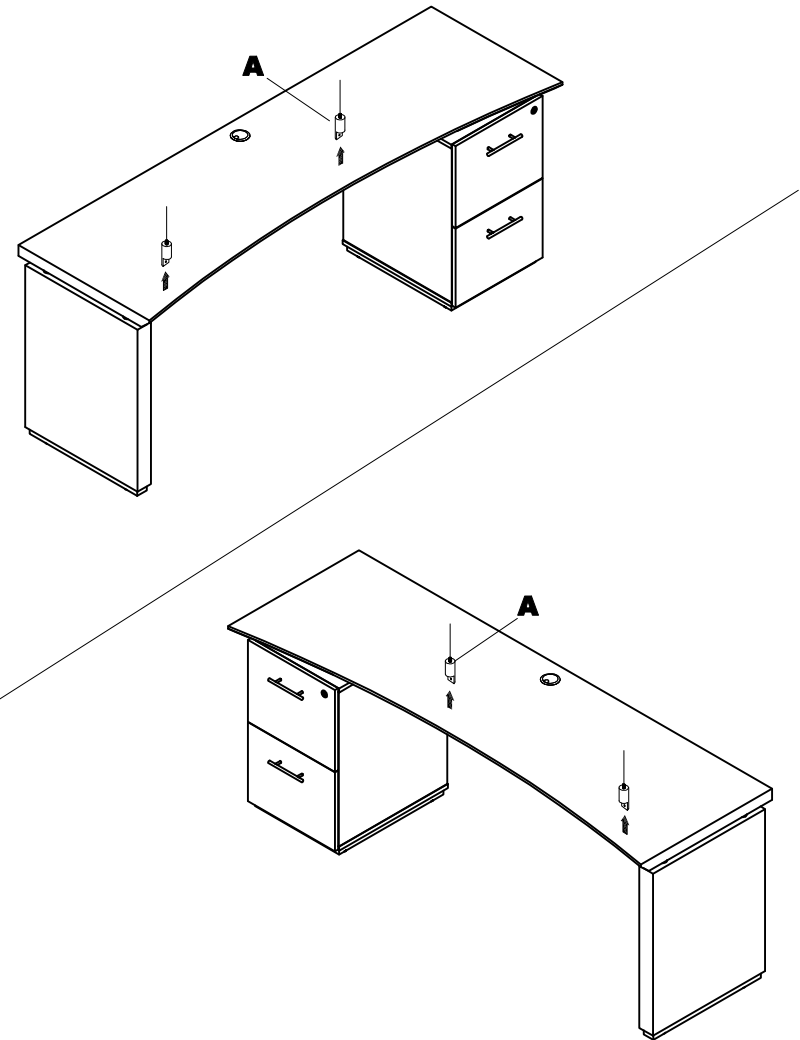
Review **ALL** instructions before beginning assembly. These instructions are provided to avoid problems that may occur from improper assembly or installation. Mayline and/or its distributor are not responsible for failure resulting from improper assembly or installation of this product. Moreover, all warranties are void for failure to follow these assembly instructions.

Insert Grommet (D) into Top hole.



2

1 Install Round Clamp (A) into the Bottom of Top for STCT72 / 66.



3

② Install the Modesty Panel (E) by Round Clamp (A) and Screws (B).

