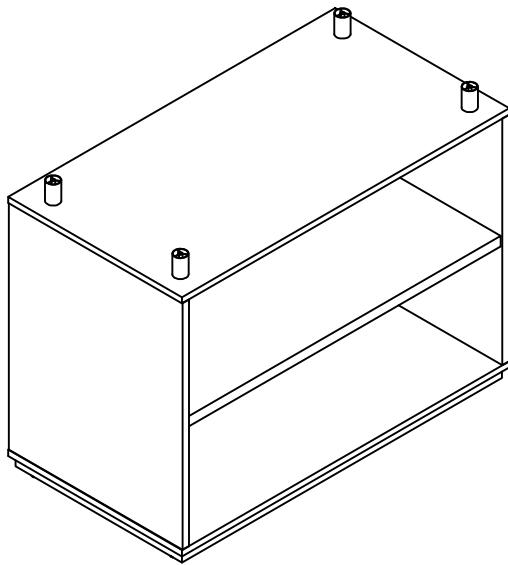


**MAYLINE**

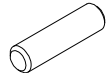







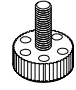


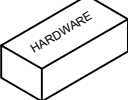
**Sterling Series™**  
**Bookcase, 2 Shelf**  
**Model No. STEB2C**



**ASSEMBLY INSTRUCTIONS**

**CALL 1-800-822-8037 FOR ASSISTANCE**

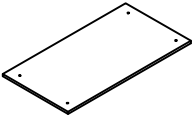
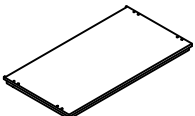
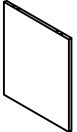
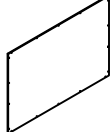
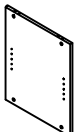
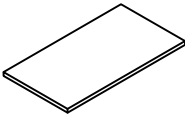
**PARTS LIST**

Name	Part	Qty.	Spare Qty	Name	Part	Qty.	Spare Qty
<b>A</b>	 <b>REALS004</b> Wood Dowel	8	1	<b>G</b>	 <b>REALS146</b> Ø3x19mm	18	1
<b>B</b>	 <b>REALS001</b> Cam	8	1	<b>H</b>	 <b>REALS607</b> Ø32*50mm Base Stand-off	4	
<b>C</b>	 <b>REALS002</b> Cam Post	8	1	<b>I</b>	 <b>REALS637</b> M6 x 35mm	4	1
<b>D</b>	 <b>REALS102**</b> Cam Sticker	8	1	<b>J</b>	 <b>REALS638</b> M6 Flange Nut	4	1
<b>E</b>	 <b>REALS425</b> Leveler	4		<b>K</b>	 <b>REALS639</b> 10mm Wrench	1	
<b>F</b>	 <b>REALS009</b> Shelf Support	4			 <b>STEB2CHB</b>		

Items with HB are in hardware box.

\*\*Denotes Color Code

# PARTS LIST

Name	Part	Qty.	Name	Part	Qty.
<b>L</b>	 <b>STEB2CL**</b> Top	1	<b>O</b>	 <b>STEB2CO**</b> Bottom Panel	1
<b>M</b>	 <b>STEB2CM**</b> Left Side Panel	1	<b>P</b>	 <b>STEB2CP**</b> Back Panel	1
<b>N</b>	 <b>STEB2CN**</b> Right Side Panel	1	<b>Q</b>	 <b>STEB2CQ**</b> Shelf Panel	1

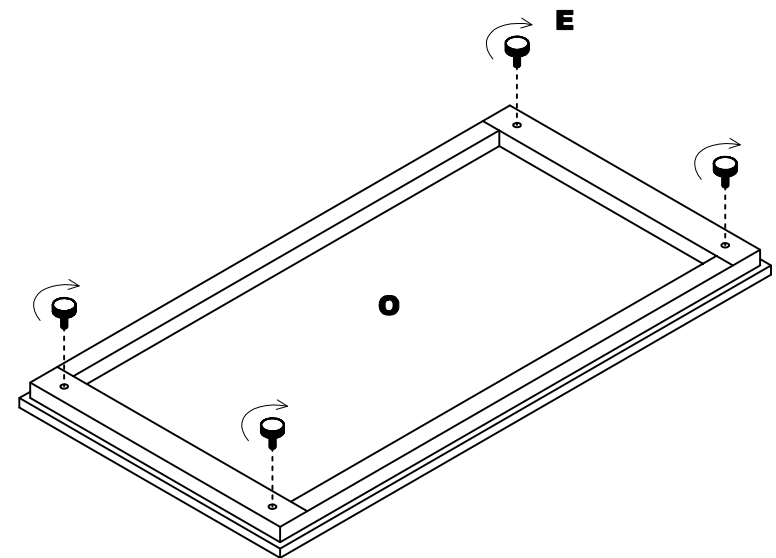
\*\*Denotes Color Code

**2**

## IMPORTANT!

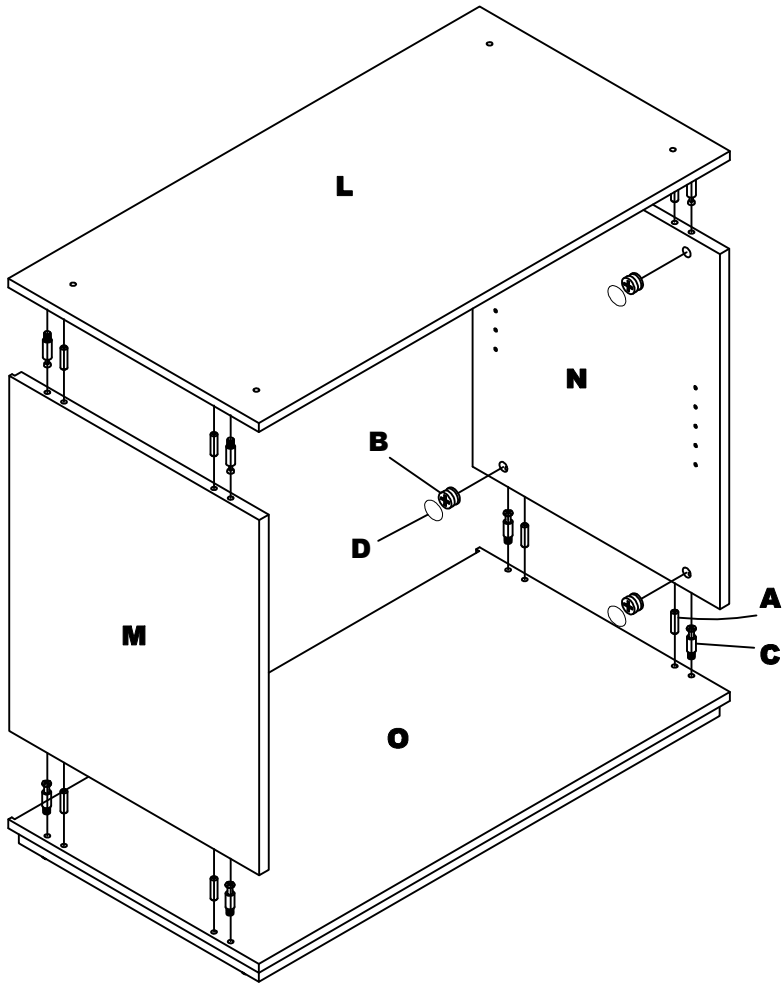
**Review ALL instructions before beginning assembly.** These instructions are provided to avoid problems that may occur from improper assembly or installation. Mayline and/or its distributor are not responsible for failure resulting from improper assembly or installation of this product. Moreover, all warranties are void for failure to follow these assembly instructions.

- 1 Install Levelers (E) into threaded inserts in underside of Bottom Panel (O).



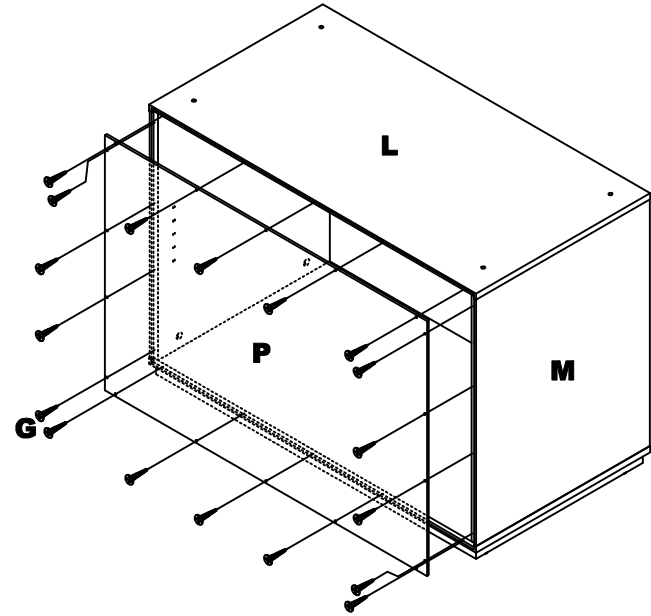
**3**

- 2** Insert Wood Dowels (A) and Cam (B) into Side Panels (M & N). Install Cam Posts (C) in Top (L) and Bottom panel (O). Attach Top (L) and Bottom panel (O) to assembled cabinet by turning Cams (B). Apply Cam Stickers (D) to Cams (B) of Side Panel (M & N).



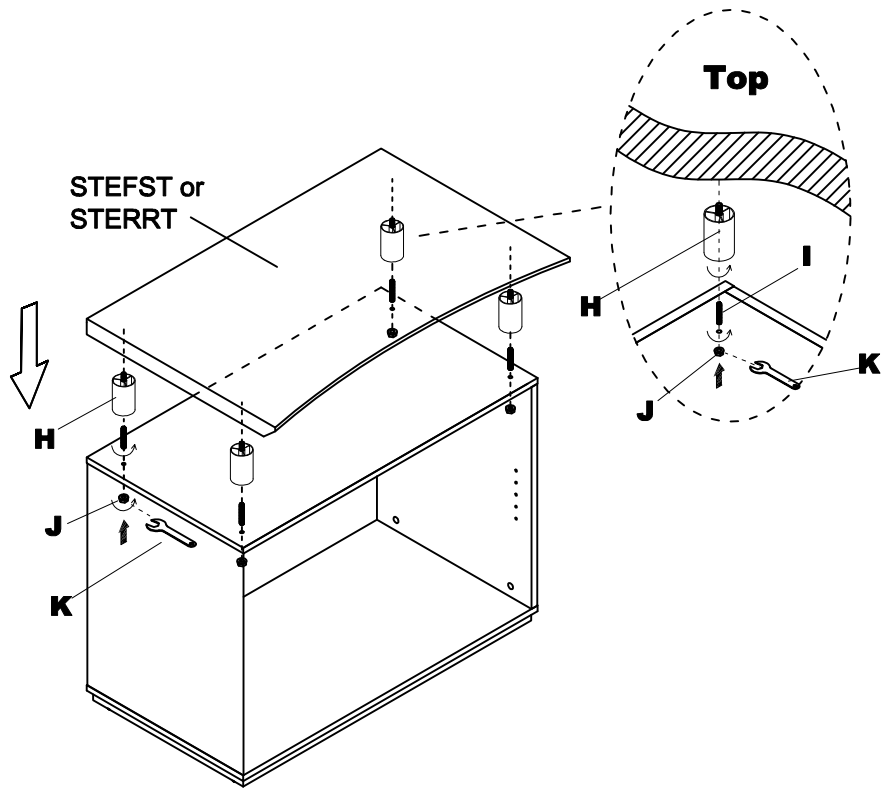
**4**

- 3** Attach the Back Panel (P) to the Top (L), Side Panels (M & N) and the Bottom Panel (O) by using Screws (G).



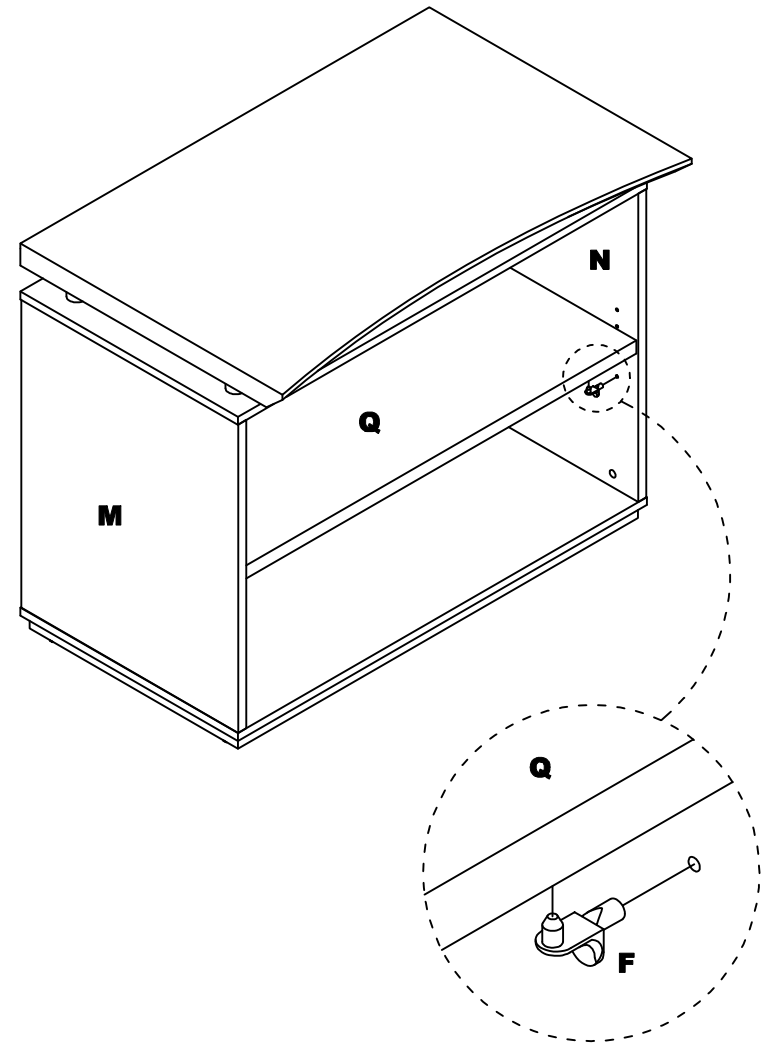
**5**

- 5** Attach the Stand-offs (H) to the Bottom of TOP. Thread Post (I) into bottom of Stand-offs (H). Once Top is in place, tighten Nut (J) on Post (I) using Wrench (K).



**6**

- 6** Insert Shelf Supports (F) into the Side Panels (M & N) at the desired height. Put the Shelf Panel (Q) on the Shelf Supports (F).



**7**