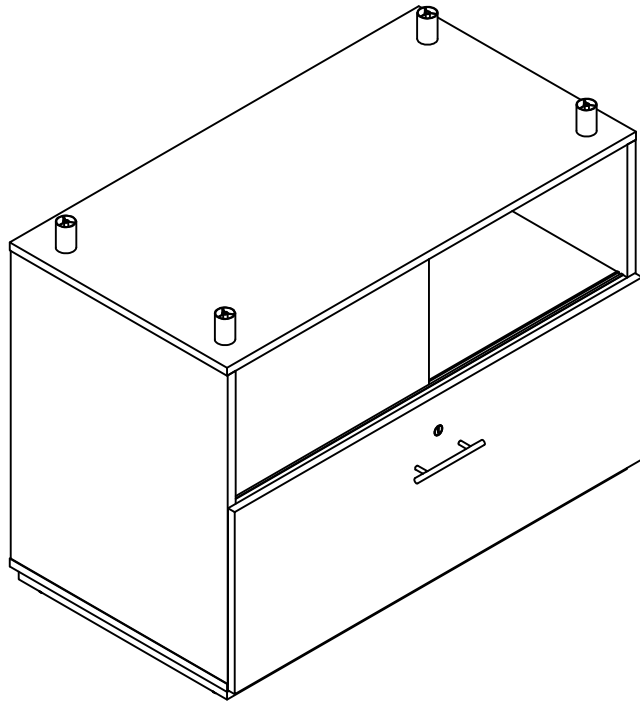


**MAYLINE**

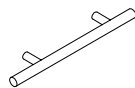




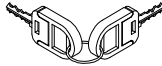
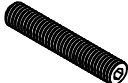
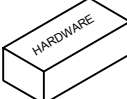
**Sterling Series™**  
**1 Drw Lateral File**  
**Model No. STECC**



**ASSEMBLY INSTRUCTIONS**

**CALL 1-800-822-8037 FOR ASSISTANCE**

**PARTS LIST**

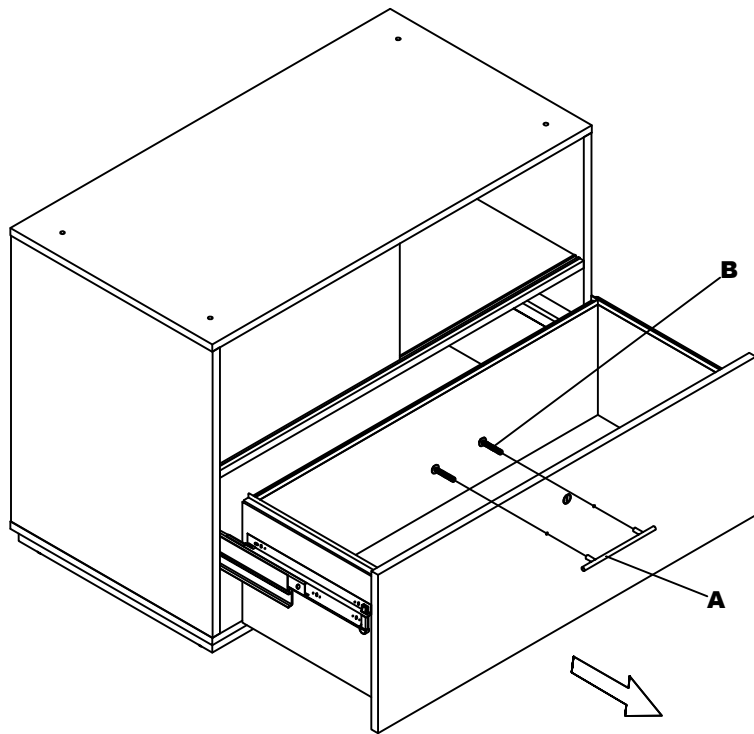
Name	Part	Qty.	Spare Qty	Name	Part	Qty.	Spare Qty
<b>A</b>	 <b>REALS410</b> Handle-96mm Center	<b>1</b>		<b>E</b>	 <b>REALS638</b> M6 Flange Nut	<b>4</b>	<b>1</b>
<b>B</b>	 <b>REALS249</b> Handle Screw-M4x33mm	<b>2</b>	<b>1</b>	<b>F</b>	 <b>REALS639</b> 10mm Wrench	<b>1</b>	
<b>C</b>	 <b>REALS607</b> Ø32*50mm Base Stand-off	<b>4</b>		<b>G</b>	 Keys	<b>1</b>	
<b>D</b>	 <b>REALS637</b> M6 x 35mm	<b>4</b>	<b>1</b>		 <b>STELFCHB</b>		

Items with HB are in hardware box.

## IMPORTANT!

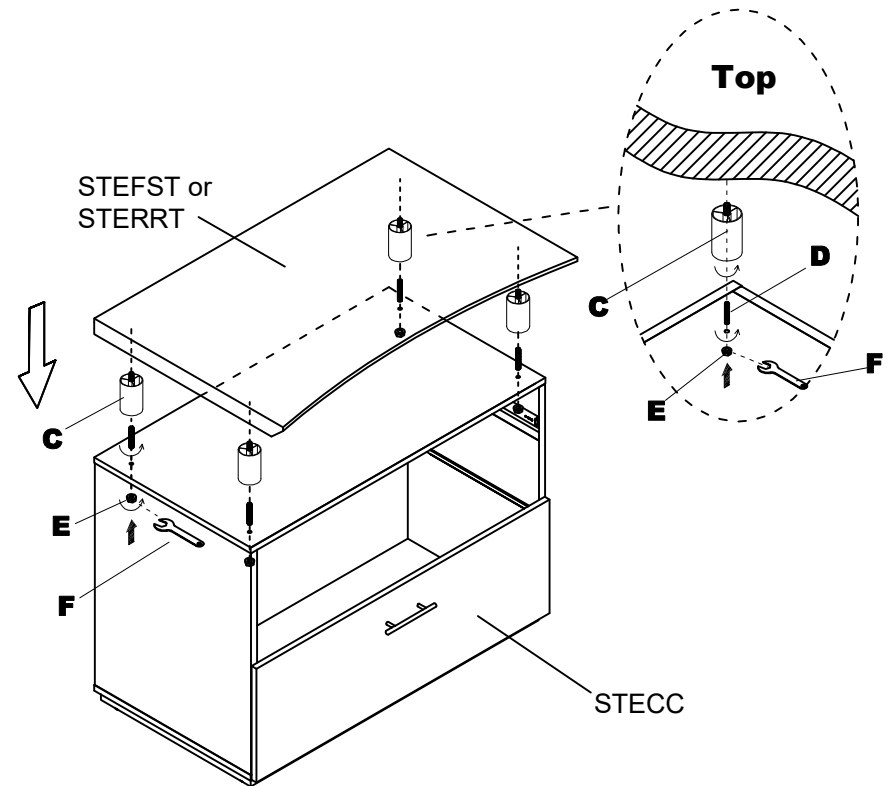
**Review ALL instructions before beginning assembly.** These instructions are provided to avoid problems that may occur from improper assembly or installation. Mayline and/or its distributor are not responsible for failure resulting from improper assembly or installation of this product. Moreover, all warranties are void for failure to follow these assembly instructions.

- ① Attach Handles (A) to the Fronts of Drawer using Screws (B).

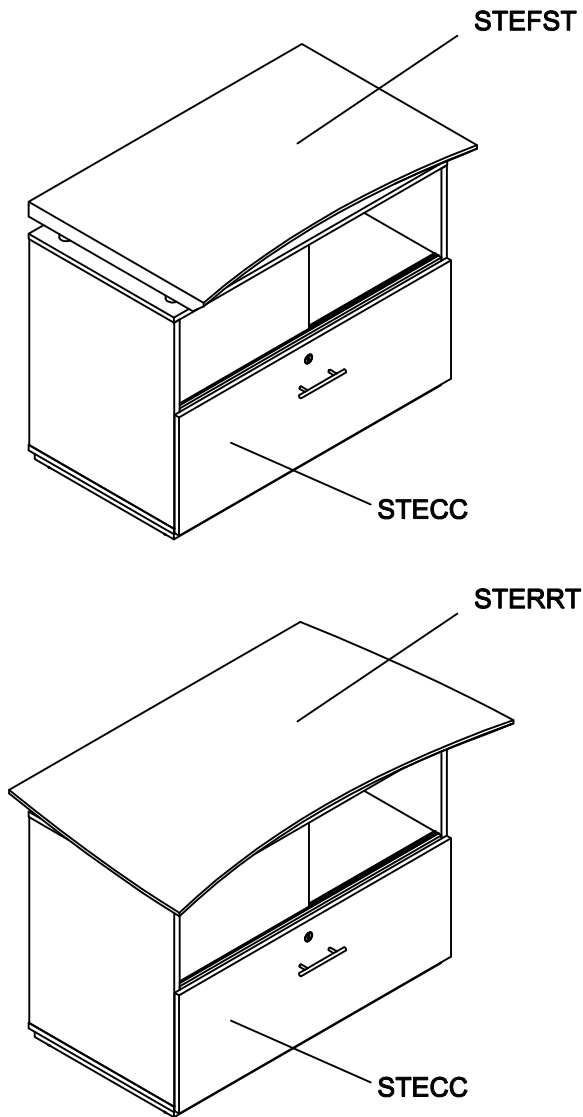


2

- ② Attach the Stand-offs (C) to the Bottom of TOP. Thread Post (D) into bottom of Stand-offs (C). Once Top is in place, tighten Nut (E) on Post (D) using Wrench (F).

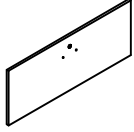
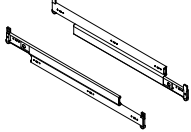
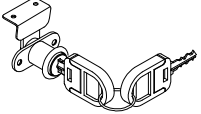
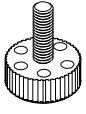
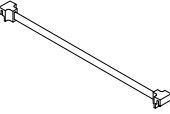



3



**4**

## Pre-Installed Replacement Parts List

Part	Included Qty.	Part	Included Qty.
 <b>STECDF**</b> Drawer Fronts, Set of 1	<b>1</b>	 <b>REALS620</b> 16" HD Drawer Slide	<b>1</b>
 <b>REALS621</b> Lock w/ Key	<b>1</b>	 <b>REALS425</b> Leveler	<b>4</b>
 <b>REALS513</b> 1 Bar w/2 Caps	<b>2</b>	 <b>REALS104</b> Grommet	<b>1</b>

\*\*Denotes Color Code

**5**