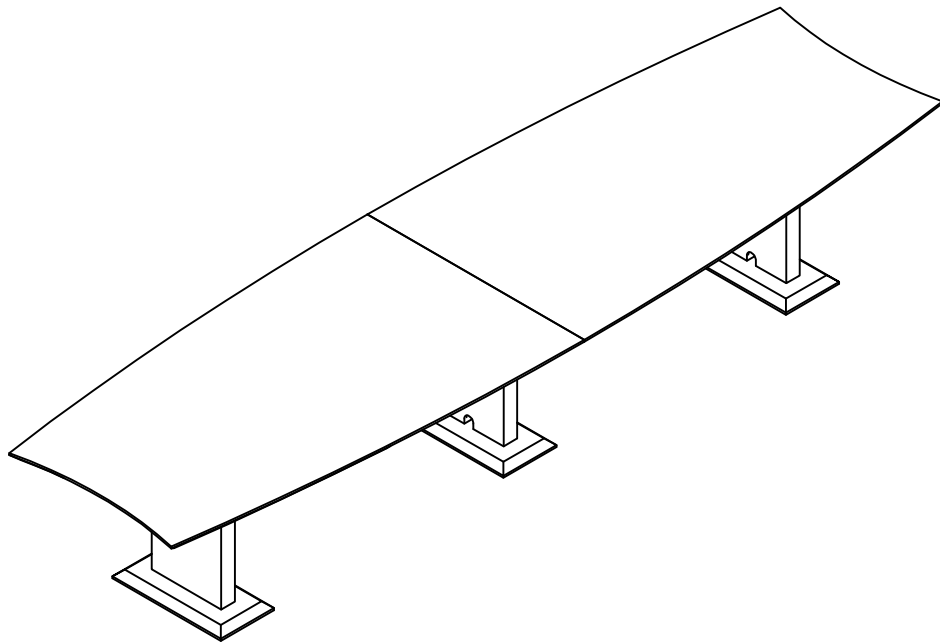


MAYLINE






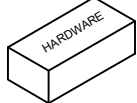
Sterling Series™
 12'/14'/16' Conference 1/2 Top
 Model No. STECTS72/ 84, STECT96



ASSEMBLY INSTRUCTIONS

CALL 1-800-822-8037 FOR ASSISTANCE

PARTS LIST

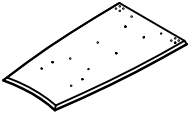
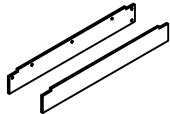
Name	Part	Qty.	Spare Qty	Name	Part	Qty.	Spare Qty
A	 REALS001 Cam Lock	14	1	D	 REALS643 M6 x 35mm	6	1
B	 REALS102** Cam Sticker	14	1	E	 REALS043 M6x15mm	8	1
C	 REALS003 Cam Post	14	1		 STECTSHB		

NOTE:

- ①. 1/2 Top and 2 Modesty Panels with Hardware packed in one carton - STECTS72/ 84, STECT96 (Qty 2)
- ②. 1 Leg with Hardware packed in one carton - STECB (Qty 2)
- ③. 1 Center Base with Hardware packed in one carton - STECAB

Items with HB are in hardware box.

PARTS LIST

Name	Part	Qty.	Name	Part	Qty.
F	 STECTS~** Top	2	G	 STECTS~G** Modesty Panel	2

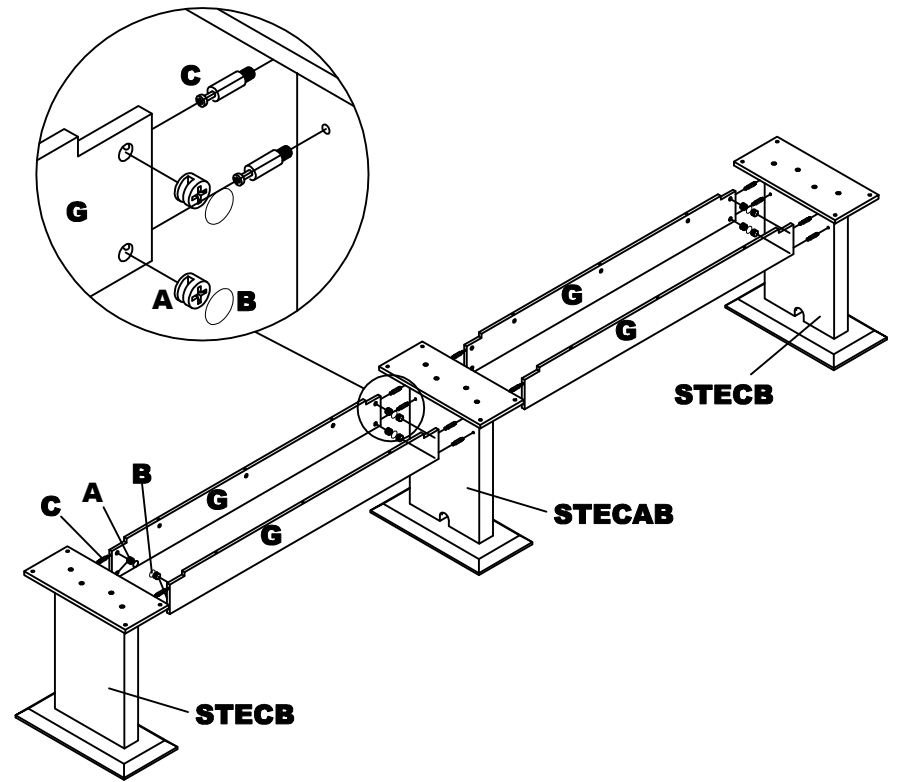
**Denotes Color Code

2

IMPORTANT!

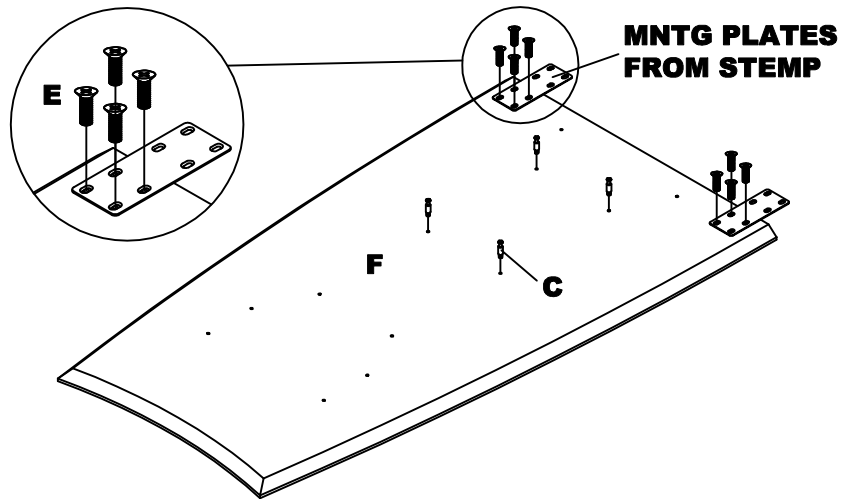
Review ALL instructions before beginning assembly. These instructions are provided to avoid problems that may occur from improper assembly or installation. Mayline and/or its distributor are not responsible for failure resulting from improper assembly or installation of this product. Moreover, all warranties are void for failure to follow these assembly instructions.

- 1 Insert Cams (A) into the Modesty Panel (G) . Install Cam Posts (C) into threaded inserts in STECB Legs and STECAB Center Base. Attach Modesty Panel (G) to STECB Legs and STECAB Center Base by turning Cams (A). Apply Cam Stickers (B) to Cams (A) of Modesty Panel (G).

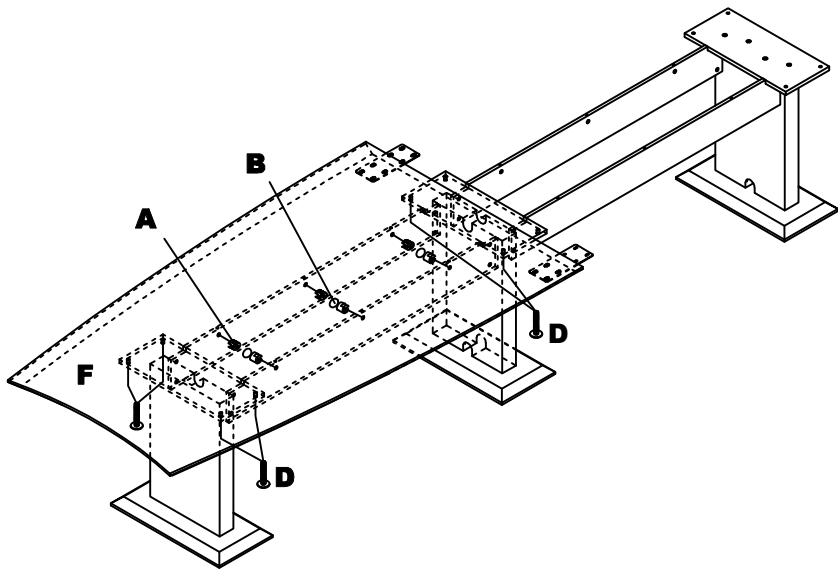


3

- ② Attach STECAB Mntg Plates to the underside of adjacent Top (F) using Screws (E). Install Cam Posts (C) into threaded inserts in underside of Top (F).

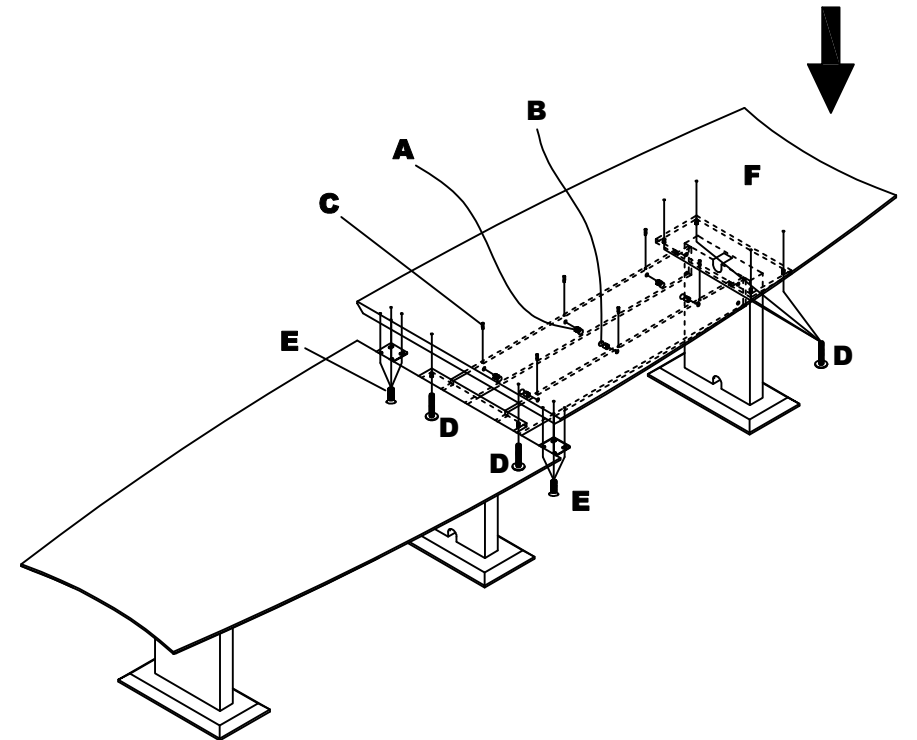


- ③ Place Top (F) onto Leg, Center Base and Modesty Panel and lock in place by turning Cams (A). Apply Cam Stickers (B) onto Cams (A) of Modesty Panel. Install the Leg and Center Base to the underside of Top (F) using Screws (D).



4

- ④ Place other Top (F) onto Legs, Center Base and Modesty Panel and lock in place by turning Cams (A). Attach the Top to the other Top using Screws (E). Apply Cam Stickers (B) onto Cams (A) of Modesty Panel. Install the STECAB Center Base to the underside of Top (F) using Screws (D).



5