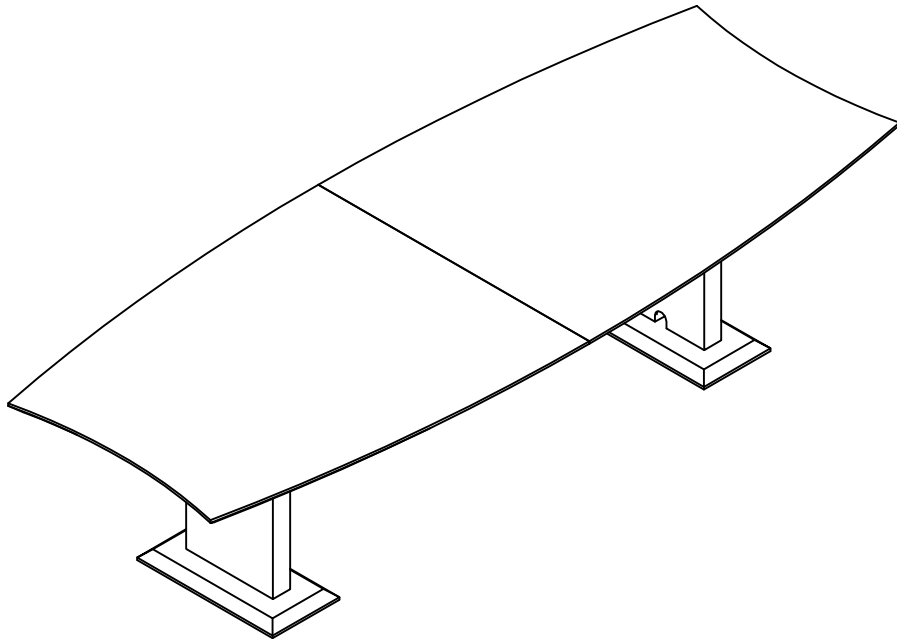


**MAYLINE**




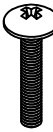
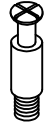
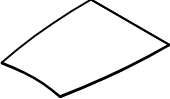
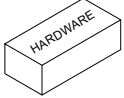
**Sterling Series™**  
**10' Conference 1/2 Top**  
**Model No. STECTS60**



**ASSEMBLY INSTRUCTIONS**

**CALL 1-800-822-8037 FOR ASSISTANCE**

**PARTS LIST**

Name	Part	Qty.	Spare Qty	Name	Part	Qty.	Spare Qty
<b>A</b>	 <b>REALS001</b> Cam Lock	8	1	<b>D</b>	 <b>REALS043</b> M6x15mm	12	1
<b>B</b>	 <b>REALS102**</b> Cam Sticker	8	1	<b>E</b>	 <b>REALS643</b> M6 x 35mm	4	1
<b>C</b>	 <b>REALS003</b> Cam Post	8	1	<b>F</b>	 <b>STECTS60**</b> Top	2	
					 <b>STECTS60HB</b>		

**NOTE:**

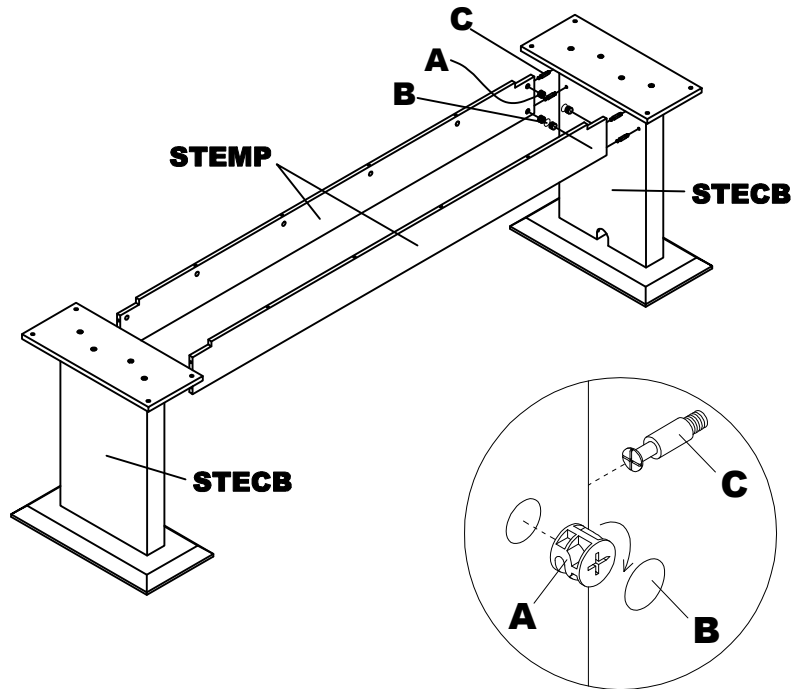
- ①. 1/2 Top packed in one carton - STECTS60 (Qty 2)
- ②. 2 Modesty Panels with Hardware packed in one carton - STEMP
- ③. 1 Leg with Hardware packed in one carton - STECB (Qty 2)

Items with HB are in hardware box.  
 \*\*Denotes Color Code

## IMPORTANT!

**Review ALL instructions before beginning assembly.** These instructions are provided to avoid problems that may occur from improper assembly or installation. Mayline and/or its distributor are not responsible for failure resulting from improper assembly or installation of this product. Moreover, all warranties are void for failure to follow these assembly instructions.

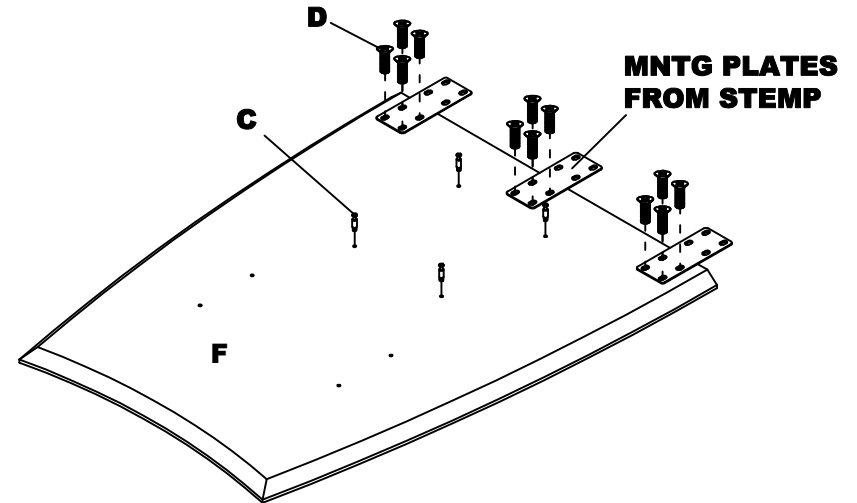
- 1 Insert Cams (A) into the Modesty Panel (STEMP) . Install Cam Posts (C) into threaded inserts in STECB Legs. Attach Modesty Panel to Legs by turning Cams (A). Apply Cam Stickers (B) to Cams (A) of Modesty Panel.



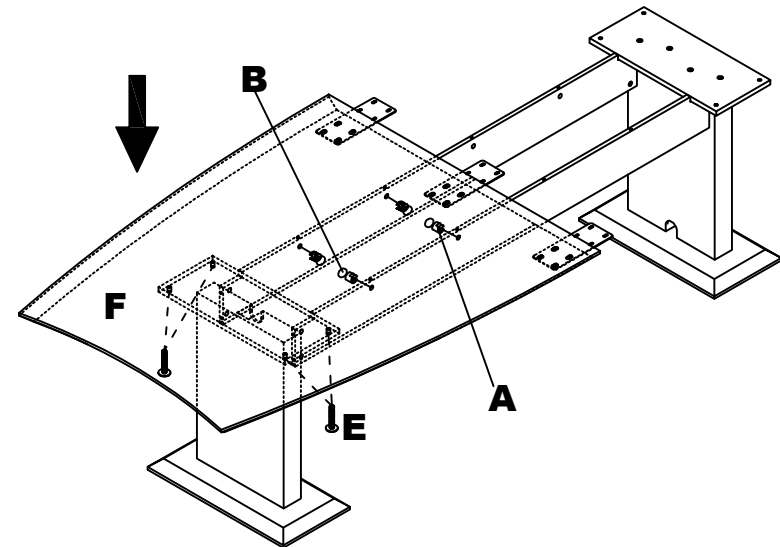
NOTE: The arrow on the face of the Cam (A) should point towards the Cam Post (C) for proper alignment.

2

- 2 Attach STEMP Mntg Plates to the underside of adjacent Top (F) using Screws (D). Install Cam Posts (C) into threaded inserts in underside of Top (F).



- 3 Place Top (F) onto Leg and Modesty Panel and lock in place by turning Cams (A). Apply Cam Stickers (B) onto Cams (A) of Modesty Panel. Install the Leg to the underside of Top (F) using Screws (E).



3

- 4** Place the other Top (E) onto Leg (F) and Modesty Panel and lock in place by turning Cams (A). Attach the Top to the other Top using Screws (D). Apply Cam Stickers (B) onto Cams (A) of Modesty Panel (G). Install the Leg (F) to the underside of Top (F) using Screws (E).

