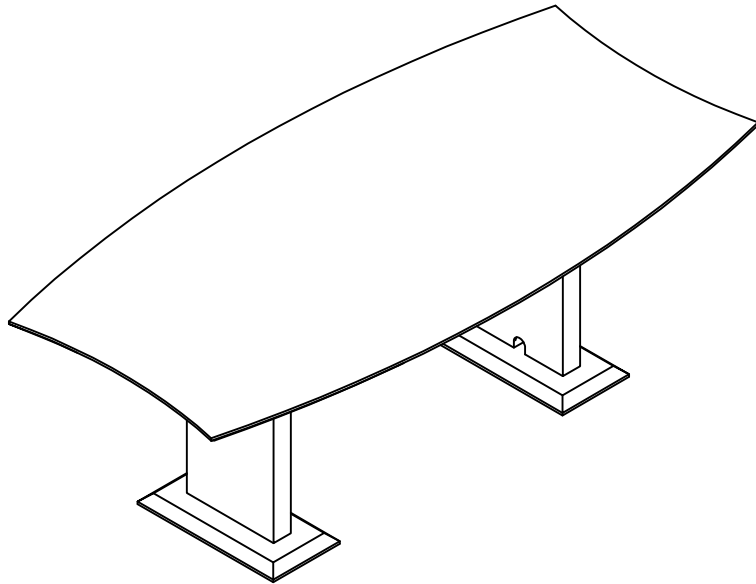


MAYLINE





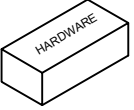
Sterling Series™
96" Conference Top
Model No. STECTS96



ASSEMBLY INSTRUCTIONS

CALL 1-800-822-8037 FOR ASSISTANCE

PARTS LIST

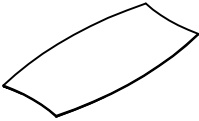
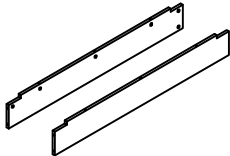
Name	Part	Qty.	Spare Qty	Name	Part	Qty.	Spare Qty
A	 REALS001 Cam Lock	14	1	C	 REALS003 Cam Post	14	1
B	 REALS102** Cam Sticker	14	1	D	 REALS124 M6 x 35mm	12	2
					 STECTS96HB		

NOTE:

- ①. 1 Top w/ 2 Modesty Panels with Hardware packed in one carton-STECTS96
- ②. 1 Leg with Hardware packed in one carton - STECB (Qty 2)

Items with HB are in hardware box.

PARTS LIST

Name	Part	Qty.	Name	Part	Qty.
E	 STECTS96** Top	2	F	 STECTS96F** Modesty Panel	2

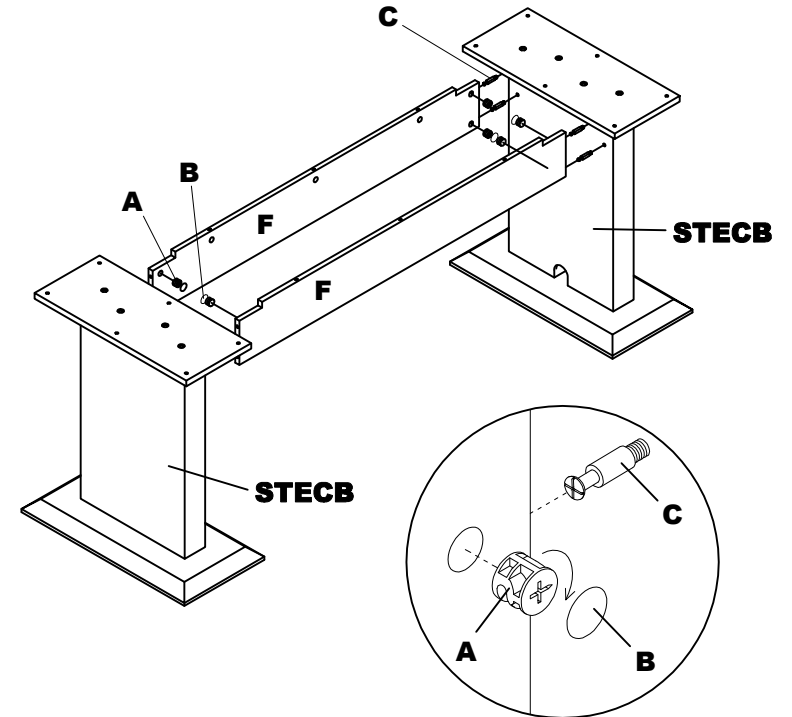
**Denotes Color Code

2

IMPORTANT!

Review ALL instructions before beginning assembly. These instructions are provided to avoid problems that may occur from improper assembly or installation. Mayline and/or its distributor are not responsible for failure resulting from improper assembly or installation of this product. Moreover, all warranties are void for failure to follow these assembly instructions.

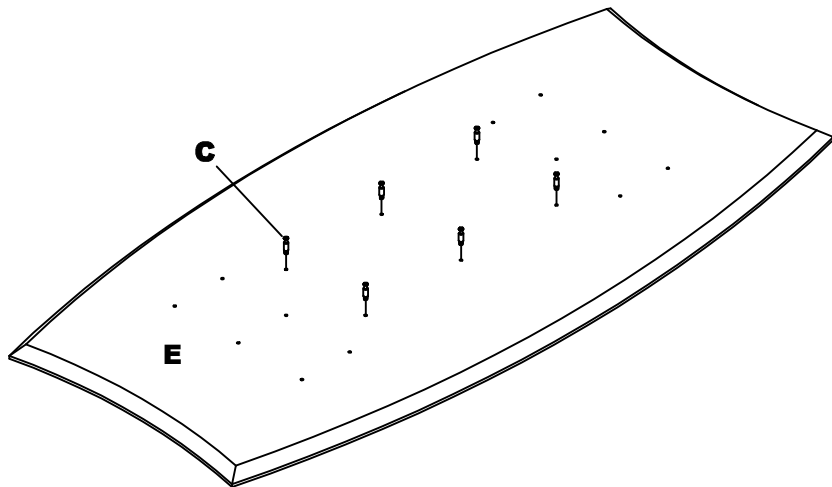
- 1 Insert Cams (A) into the Modesty Panel (F) . Install Cam Posts (C) into threaded inserts in STECB Legs. Attach Modesty Panel (F) to STECB Legs by turning Cams (A). Apply Cam Stickers (B) to Cams (A) of Modesty Panel (F).



NOTE: The arrow on the face of the Cam (A) should point towards the Cam Post (C) for proper alignment.

3

- ② Install Cam Posts (C) into threaded inserts in underside of Top (E).



- ③ Place the Top (E) onto Legs and Modesty Panel and lock in place by turning Cams (A). Apply Cam Stickers (B) onto Cams (A) of Modesty Panel. Install the Leg to the underside of Top (E) using Screws (D).

