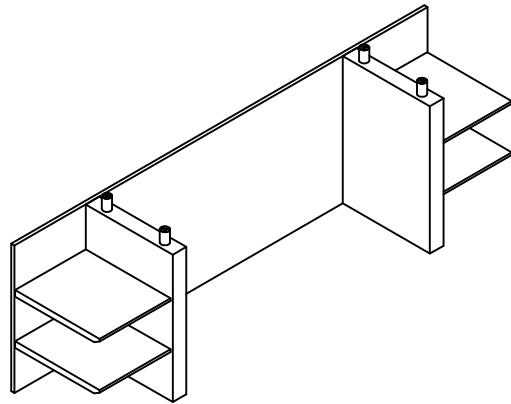












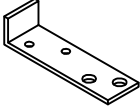
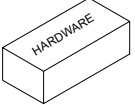
Sterling Series™
SUPPORT FRAME
 Model No. STEDSF72



ASSEMBLY INSTRUCTIONS

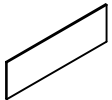

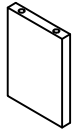

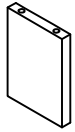
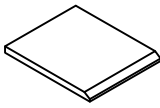
CALL 1-800-822-8037 FOR ASSISTANCE

PARTS LIST

Name	Part	Qty.	Spare Qty	Name	Part	Qty.	Spare Qty
A	 REALS005 Ø4x16mm	26	3	G	 REALS043 M6x15mm	4	1
B	 REALS001 Cam	8	1	H	 REALS626 M6x50mm	4	1
C	 REALS002 Cam Post	8	1	I	 REALS607 Base Stand-off	4	
D	 REALS102** Cam Sticker	8	1	J	 REALS634 Shelf Support	8	
E	 REALS633 L Mounting Plate	2			 STEDSF72HB		

Items with HB are in hardware box.
 **Denotes Color Code

PARTS LIST

Name	Part	Qty.	Name	Part	Qty.
K	 STEDSF72K** Back Panel	1	P	 REALS628 EVA Tape 385mm	2
L	 STEDSF72L** Left side Panel	1	Q	 REALS629 EVA Tape 1824mm	1
M	 STEDSF72M** Right side Panel	1			
N	 STESSF72N** Shelf Panel	4			

**Denotes Color Code

2

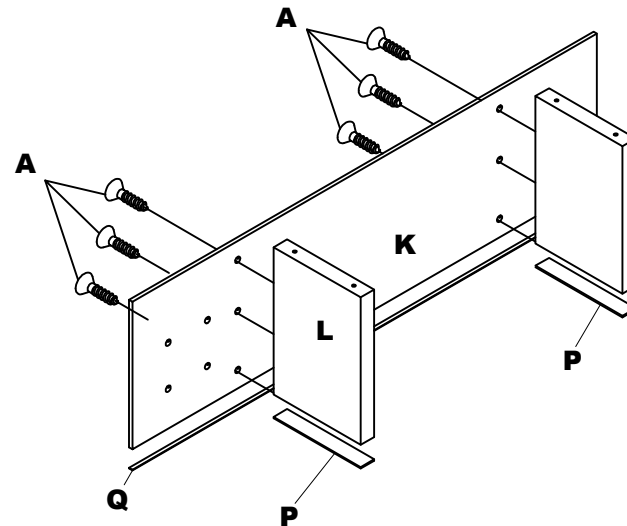
IMPORTANT!

Review ALL instructions before beginning assembly. These instructions are provided to avoid problems that may occur from improper assembly or installation. Mayline and/or its distributor are not responsible for failure resulting from improper assembly or installation of this product. Moreover, all warranties are void for failure to follow these assembly instructions.

①

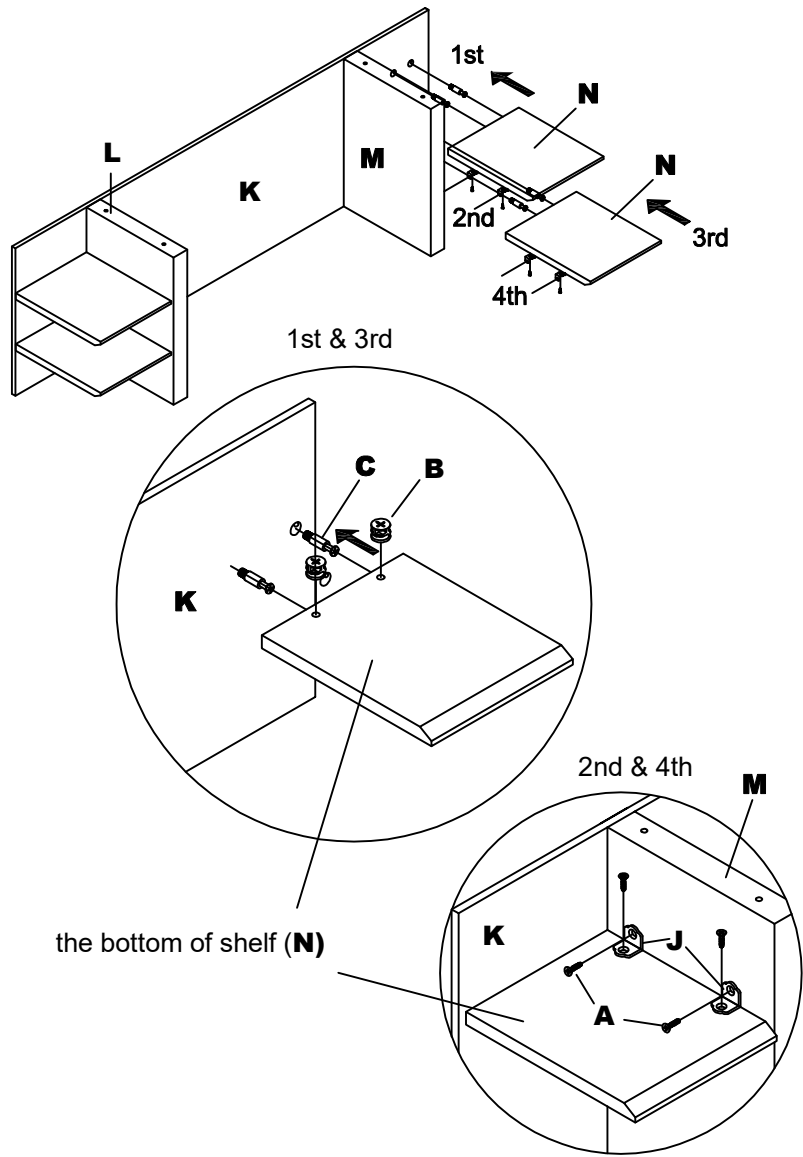
Install Inside Panel (L ,M) to the Back Panel (M) by screw (A) going through back panel.

Adhere the Single side Tape (P,Q) to the bottom of the Side Panels (M,L) and Back Panel (K)



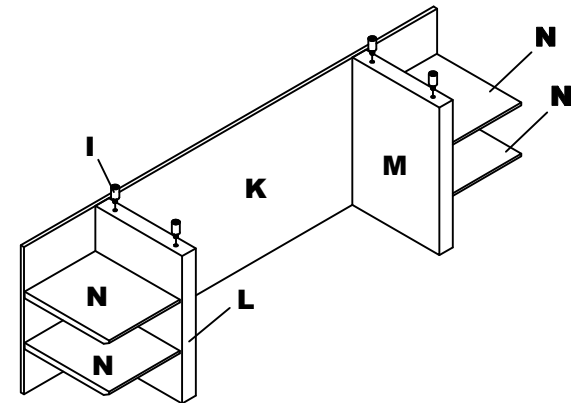
3

- ② Install shelves Panel (N) to the Back Panel (K) and Right and left Panel (L,M) .

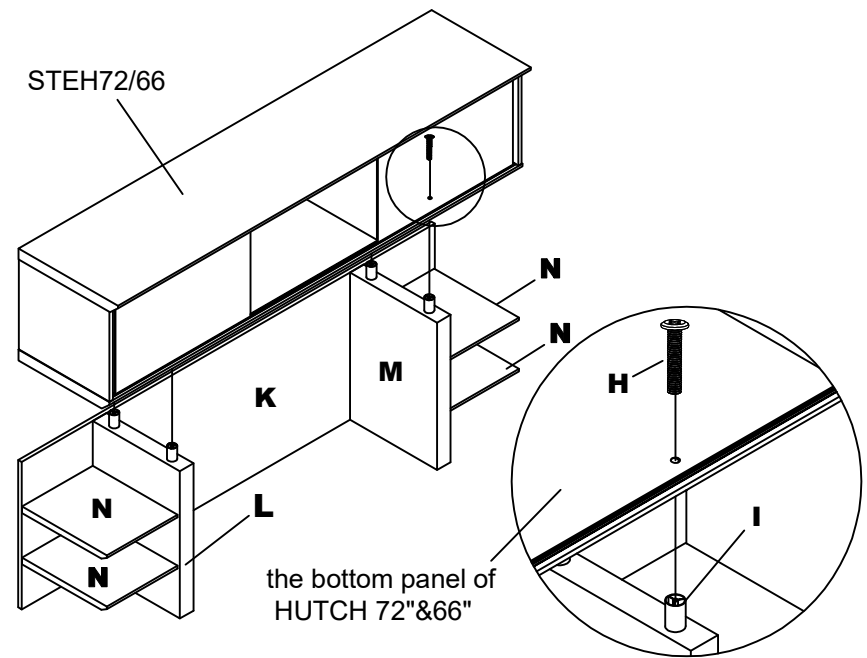


4

- ③ Install Base Stand-off (I) to left side Panel (L) and Right side Panel (M) .

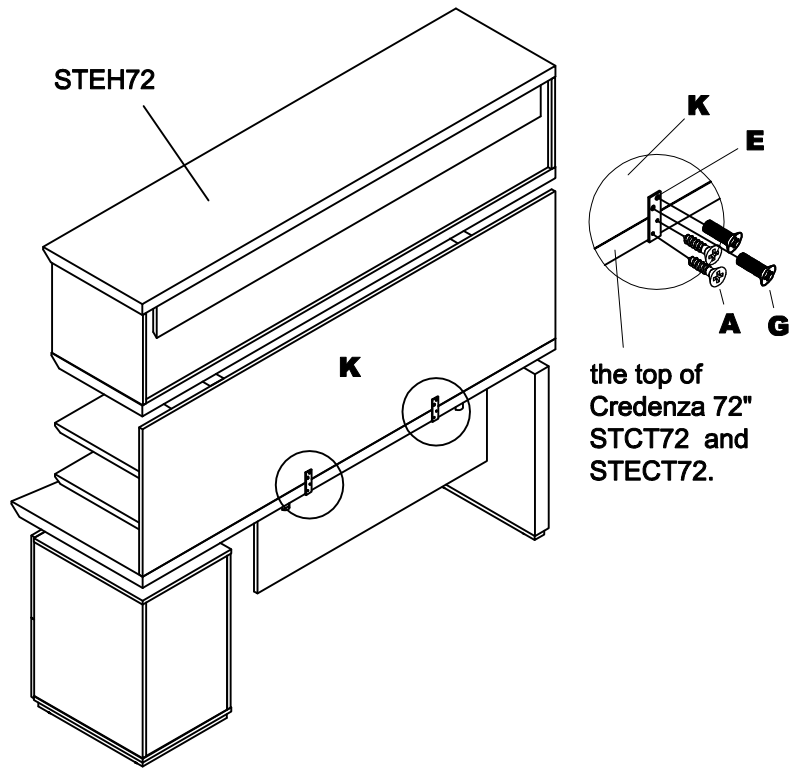


Assemble HUTCH STEH72" & 66" to SUPPORT FRAME 72" & 66" by screw (H) going through the bottom of HUTCH 72" & 66".



5

- ④ Place hutch and support frame onto Credenza STCT72 and STECT72. using L Mounting Plate (E) ,Screw(G) and screw (A). Adhere the Single side Tape (P,Q) to the bottom of the Side Panels (M,L) and Back Panel (K) before placing onto top of Credenza.



the top of
Credenza 72"
STCT72 and
STECT72.