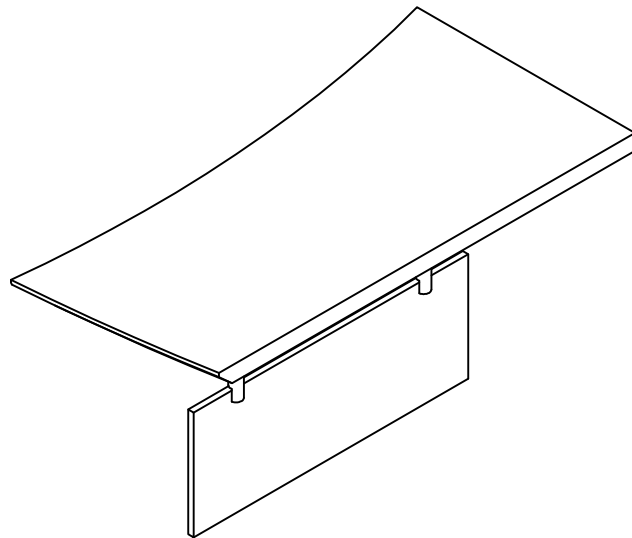




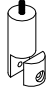
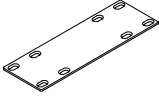

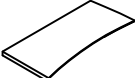

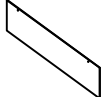

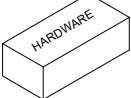
**Sterling Series™**  
**48" Return, Left**  
**Model No. STERL48**



**ASSEMBLY INSTRUCTIONS**

**CALL 1-800-822-8037 FOR ASSISTANCE**

# PARTS LIST

Name	Part	Qty.	Spare Qty	Name	Part	Qty.	Spare Qty
<b>A</b>	 <b>REALS604</b> Round Clamp	2		<b>E</b>	 <b>REALS608</b> Mounting Plate	2	
<b>B</b>	 <b>REALS605</b> M6x20mm	2	1	<b>F</b>	 <b>STERL48**</b> Top	1	
<b>C</b>	 <b>REALBY028</b> Wrench	1		<b>G</b>	 <b>STER48E**</b> Modesty Panel	1	
<b>D</b>	 <b>REALS603</b> Screw - M6x15mm	16	1		 <b>STER48HB</b>		

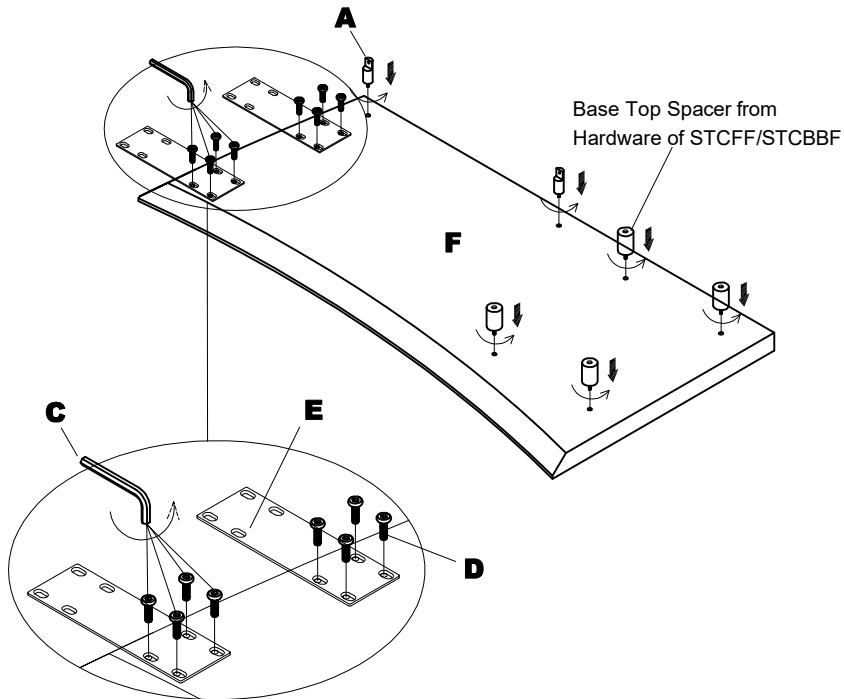
Items with HB are in hardware box.

\*\*Denotes Color Code

## IMPORTANT!

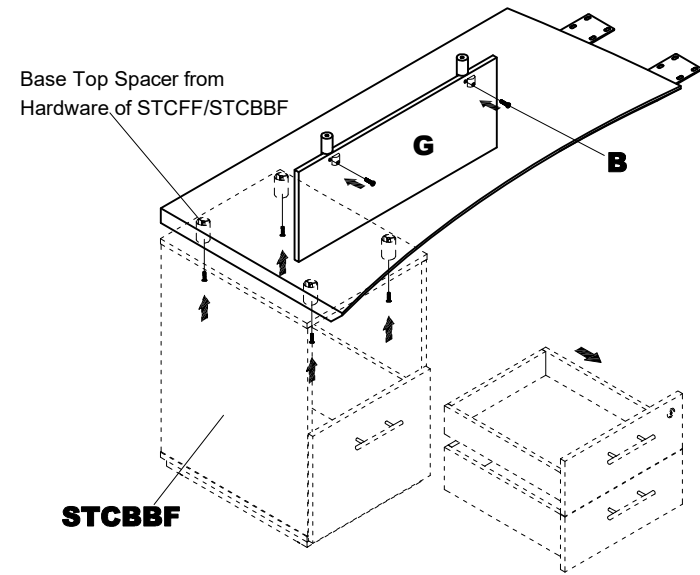
**Review ALL instructions before beginning assembly.** These instructions are provided to avoid problems that may occur from improper assembly or installation. Mayline and/or its distributor are not responsible for failure resulting from improper assembly or installation of this product. Moreover, all warranties are void for failure to follow these assembly instructions.

- 1 Install Round Clamp (A) into the Bottom of Top for STERL48. Attach Mounting Plate (E) to the underside of adjacent Top (STET48) using Screws (D) and Wrench (C).

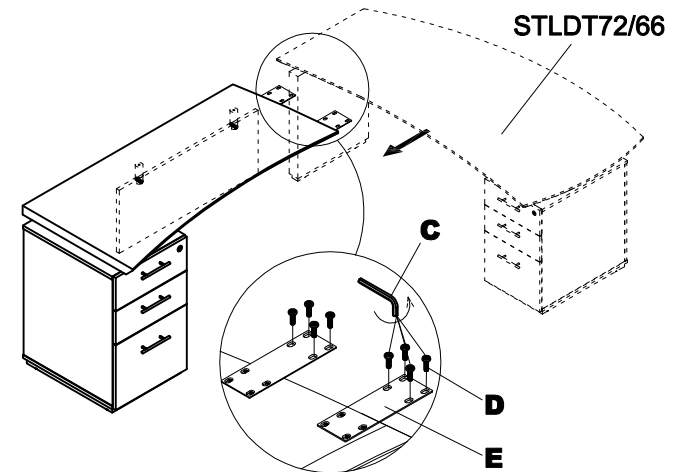


2

- 2 Install the Modesty Panel (E) by Round Clamp (A) and Screws (B).



Attach Mounting Plates to the underside of adjacent Main Desk using Screws and Wrench (C).



3