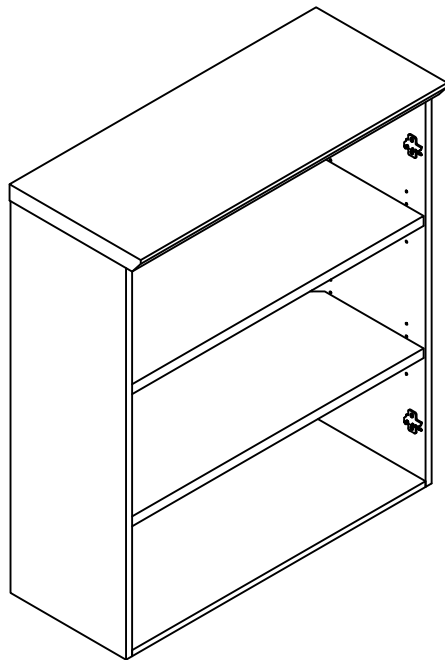


MAYLINE

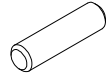





Sterling Series™
Storage Cabinet Case
Model No. STESCC

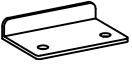


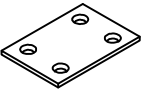

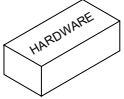


ASSEMBLY INSTRUCTIONS

CALL 1-800-822-8037 FOR ASSISTANCE

PARTS LIST

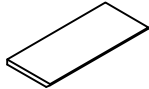
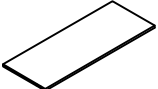


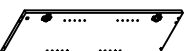
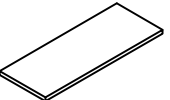
Name	Part	Qty.	Spare Qty
A	 REALS004 Wood Dowel	8	1
B	 REALS001 Cam	8	1
C	 REALS002 Cam Post	8	1
D	 REALS102** Cam Sticker	8	1
E	 REALS009 Shelf Support	8	1
F	 REALS005 Ø4x16mm	8	2

Name	Part	Qty.	Spare Qty
G	 REALS025 Door Stop	2	
H	 REALS017 Ø3.5 x 16mm	2	1
I	 REALS146 Ø3x19mm	20	1
J	 REALS609 Mounting Plate	2	
K	 REALS624 EVA Tape 335mm	2	
	 STESCCHB		

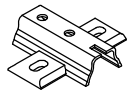
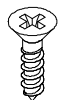
Items with HB are in hardware box.

**Denotes Color Code

PARTS LIST

Name	Part	Qty.	Name	Part	Qty.
L	 STESCCL** Top	1	O	 STESCO** Bottom Panel	1
M	 STESCCM** Left Side Panel	1	P	 STESCCP** Back Panel	1
N	 STESCCN** Right Side Panel	1	Q	 STESCQ** Shelf Panel	2

Pre-Assembled Replacement Part List

Part	Included Qty.	Part	Included Qty.
 REALS018P Hinge Plate-Overlay	4	 REALS018 Ø4X14mm	8

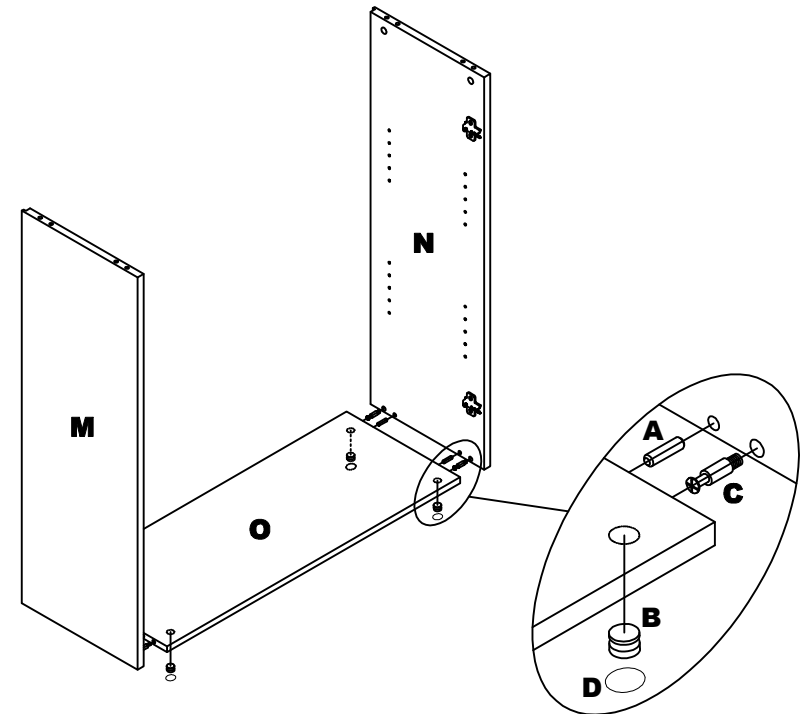
**Denotes Color Code

2

IMPORTANT!

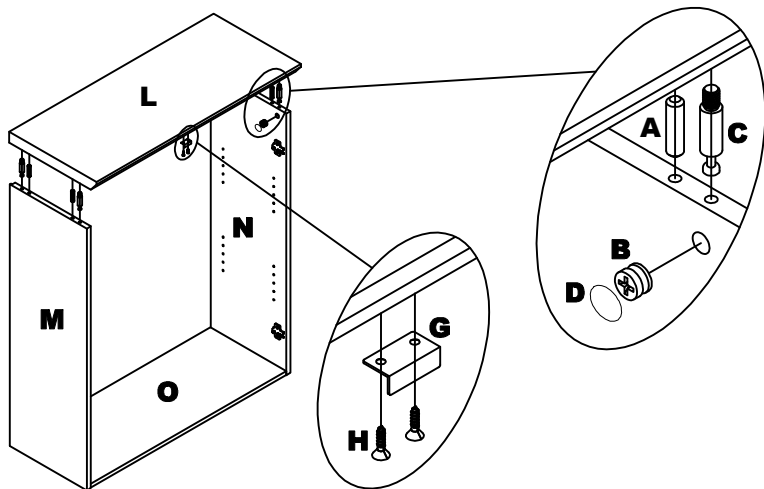
Review ALL instructions before beginning assembly. These instructions are provided to avoid problems that may occur from improper assembly or installation. Mayline and/or its distributor are not responsible for failure resulting from improper assembly or installation of this product. Moreover, all warranties are void for failure to follow these assembly instructions.

- 1 Insert Wood Dowels (A) into Bottom Panel (O). Insert Cam (B) into Bottom Panel (O). Install Cam Posts (C) Side Panels (M & N). Attach Side Panels (M&N) to assembled cabinet by turning Cams (B). Apply Cam Stickers (D) to Cams (B) of Bottom Panel (O).

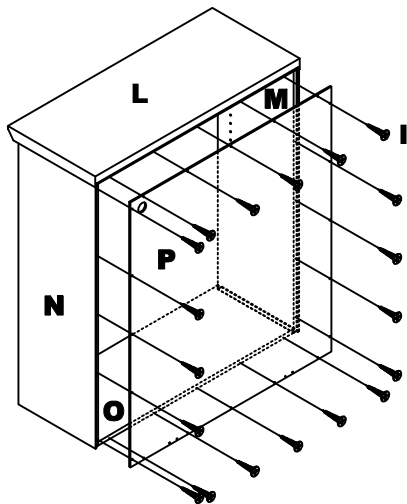


3

- 2** Insert Wood Dowels (A) into TOP (K). Insert Cam (B) into TOP (K). Install Cam Posts (C) Side Panel (L & M). Attach Top (K) to assembled cabinet by turning Cams (B). Apply Cam Stickers (D) to Cams (B) of Side Panel (L & M). Attach Door Stop (G) to Top (K) using Screws (H).

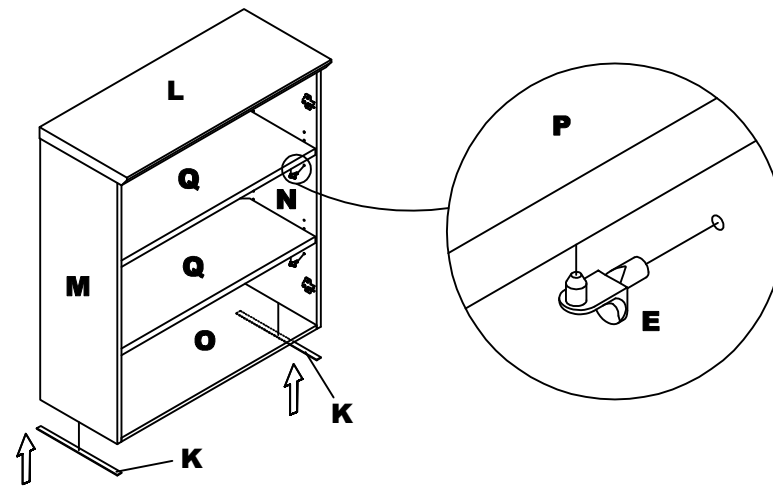


- 3** Attach the Back Panel (P) to the Top (L), Side Panels (M & N) and the Bottom Panel (O) by using Screws (I).

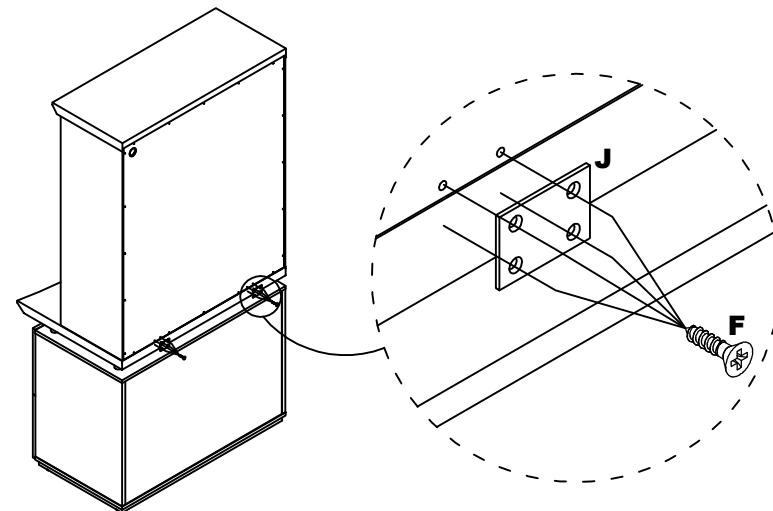


4

- 4** Insert Shelf Supports (E) into the Side Panels (M & N) at the desired height. Put the Shelf Panel (Q) on the Shelf Supports (E). Adhere the Single side Tape (K) to the bottom of the Side Panels (M & N).



- 5** Install Mounting Plate (J) into Back panel (N) and The back of TOP (STEFST) by using Screws (F).



5